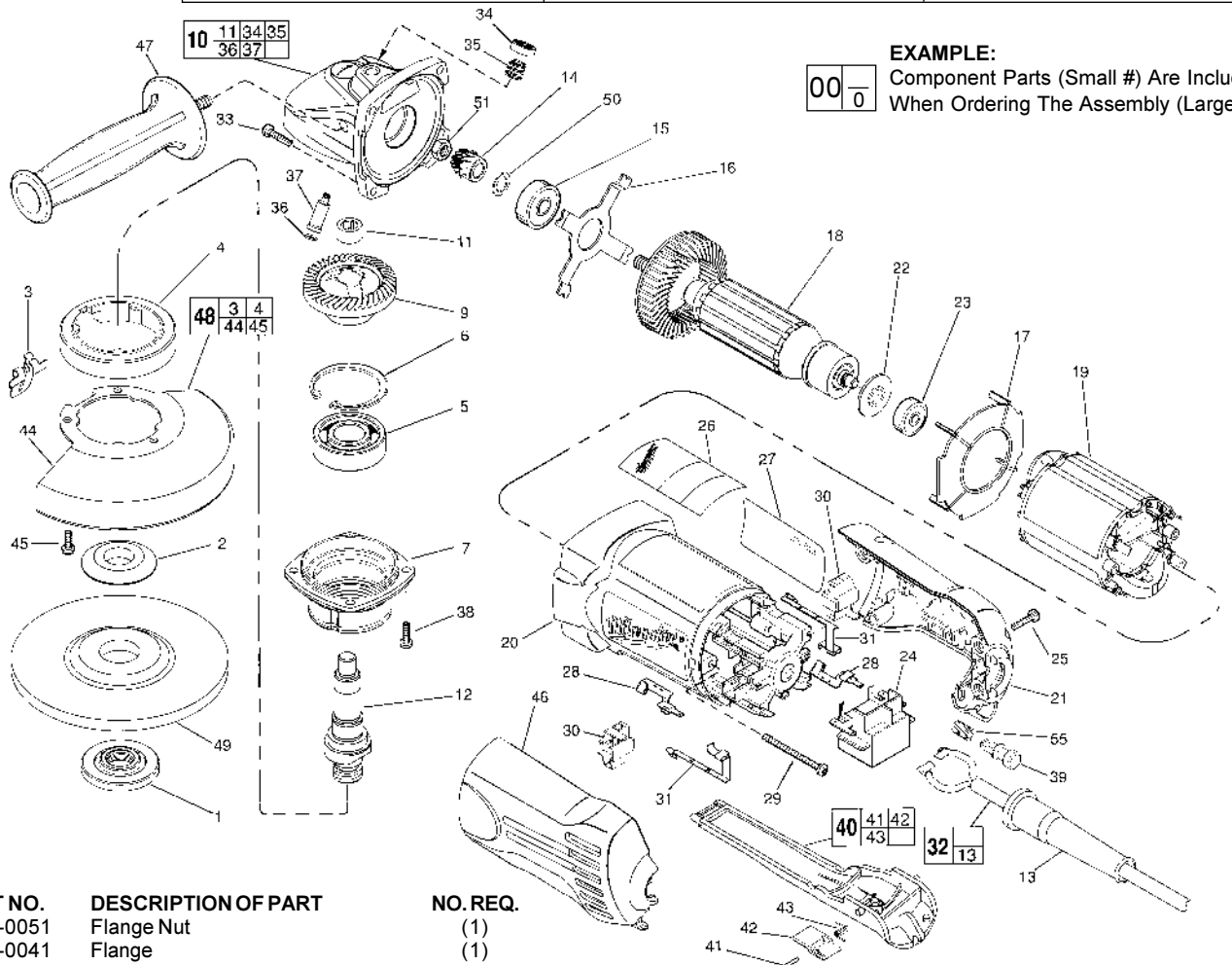




SERVICE PARTS LIST

BULLETIN NO.
54-38-0080

SPECIFY CATALOG NO. AND SERIAL NO. WHEN ORDERING PARTS		REVISED BULLETIN	DATE
4-1/2" ANGLE GRINDER		54-38-0079	Nov. 2000
CATALOG NO. 6148	STARTING SERIAL NUMBER	WIRING INSTRUCTION	
	856F		



EXAMPLE:
Component Parts (Small #) Are Included
When Ordering The Assembly (Large #).

FIG.	PART NO.	DESCRIPTION OF PART	NO. REQ.
1	49-05-0051	Flange Nut	(1)
2	49-05-0041	Flange	(1)
3	44-20-0325	Lock Lever	(1)
4	45-36-1551	Spacer	(1)
5	02-04-1745	Ball Bearing	(1)
6	34-80-2960	Retaining Ring - Internal	(1)
7	28-52-0222	Spindle Hub	(1)
9	32-05-1310	P.M. Gear	(1)
★ 10	25-14-2351	Gear Case Assembly	(1)
11	02-50-2423	Needle Bearing	(1)
12	38-50-5202	Spindle	(1)
13	44-76-0210	Cord Protector	(1)
14	32-60-1310	Pinion Gear	(1)
★ 15	02-04-0852	Ball Bearing	(1)
16	44-66-5345	Bearing Retainer Plate	(1)
17	42-14-0400	Baffle	(1)
18	16-07-0200	Armature	(1)
19	18-07-0200	Field	(1)
20	31-50-1100	Motor Housing	(1)
21	31-15-0450	Right Cover	(1)
22	23-16-0916	Commutator Insulator	(1)
23	02-04-2080	Ball Bearing	(1)
24	23-66-2401	Switch	(1)
25	06-82-7271	6-19 x 7/8" Pan Hd. Plastite T-15	(4)
26	12-20-6148	Service Nameplate Kit	(1)
27	10-98-7091	Warning Label	(1)
28	23-74-1206	Brush Terminal	(2)
29	06-82-7421	6-19 x 3-1/4" Pan Hd. Slit. Plast. T-15	(2)
30	22-20-0555	Brush Holder Assy. (Incl. Carbon Brush)	(2)
31	23-74-1201	Switch Terminal	(2)
32	22-64-0840	Cord Set Assembly	(1)
33	06-82-7326	8-16 x 1" Pan Hd. Slit. Plast. T-20	(4)
34	31-12-0205	Cap	(1)
35	40-50-8650	Compression Spring	(1)
36	34-40-4300	O-Ring	(1)

FIG.	PART NO.	DESCRIPTION OF PART	NO. REQ.
37	44-60-0845	Lock Pin	(1)
38	06-82-5316	8-32 x 1/2" Pan Hd. Slit. Tapt. T-20	(4)
39	42-42-0395	Lock-On Button	(1)
40	31-92-0320	Paddle Assembly	(1)
41	06-65-1915	Pin	(1)
42	42-42-0390	Lock-Off Button	(1)
43	40-50-8750	Torsion Spring	(1)
44	28-41-1020	Hood	(1)
45	06-82-7251	8-16 x 3/8" Pan Hd. Slit. Plast. T-20	(3)
46	31-15-0455	Left Cover	(1)
47	49-15-0310	Side Handle	(1)
48	49-12-0365	Guard Assembly	(1)
49	-----	4-1/2" Disc - Select From Catalog	(1)
★ 50	45-14-0280	Pinion Shim	(1)
51	06-55-3850	10-32 Hex Nut	(1)
55	40-50-0921	Compression Spring	(1)
	49-96-7205	Spanner Wrench	(1)

FIG. LUBRICATION:
9,14 Type "Y" Grease, No. 49-08-5270, Must Be Applied To All Gear Teeth.

10 9-12 Grams Type "Y" Grease, No. 49-08-5270.

FIG. NOTES:
7 Position The Spindle Hub With The Side That Has The Word "Back" Orientated Toward The Rear Of The Tool.
11 Press .09" Below Casting Surface.
32 Tuck All Cord Leads Away From Vent Openings.
51 Torque To 25-35 In./Lbs.

MILWAUKEE ELECTRIC TOOL CORPORATION
13135 W. Lisbon Road, Brookfield, WI 53005