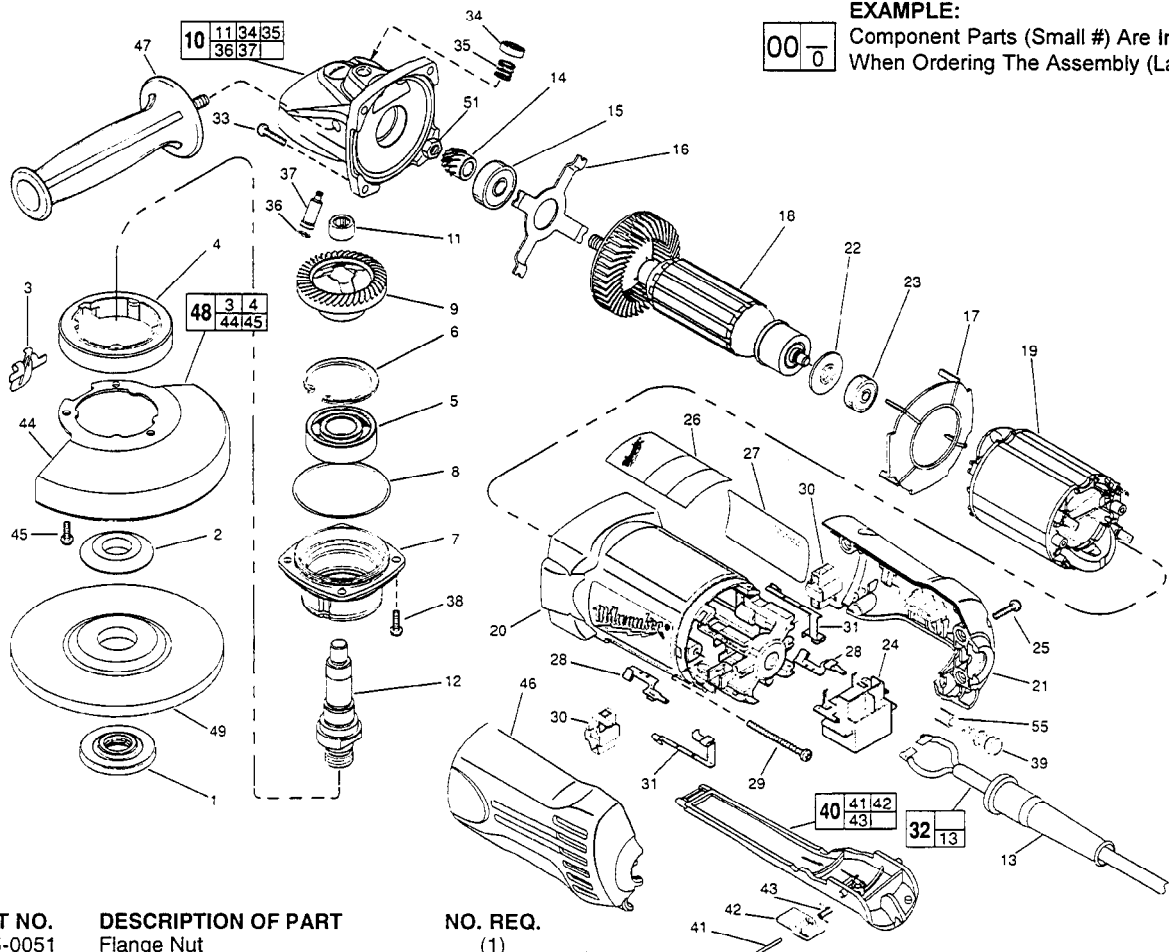




SERVICE PARTS LIST

BULLETIN NO.
54-38-0076

SPECIFY CATALOG NO. AND SERIAL NO. WHEN ORDERING PARTS		REVISED BULLETIN 54-38-0075	DATE Aug. '98
4-1/2" ANGLE GRINDER			
CATALOG NO. 6148	STARTING SERIAL NUMBER	856B	
WIRING INSTRUCTION			



EXAMPLE:

Component Parts (Small #) Are Included When Ordering The Assembly (Large #).

FIG.	PART NO.	DESCRIPTION OF PART	NO. REQ.
1	49-05-0051	Flange Nut	(1)
2	49-05-0040	Flange	(1)
3	44-20-0325	Lock Lever	(1)
4	45-36-1550	Spacer	(1)
5	02-04-1746	Ball Bearing	(1)
6	34-80-2960	Retaining Ring - Internal	(1)
7	28-52-0220	Spindle Hub	(1)
8	34-40-4400	O-Ring	(1)
9	32-05-1310	P.M. Gear	(1)
10	25-14-2350	Gear Case Assembly	(1)
11	02-50-2423	Needle Bearing	(1)
12	38-50-5202	Spindle	(1)
13	44-76-0210	Cord Protector	(1)
14	32-60-1310	Pinion Gear	(1)
15	02-04-2075	Ball Bearing	(1)
16	44-66-5345	Bearing Retainer Plate	(1)
17	42-14-0400	Baffle	(1)
★ 18	16-07-0126	Armature	(1)
19	18-07-0125	Field	(1)
20	31-50-1100	Motor Housing	(1)
21	31-15-0450	Right Cover	(1)
22	23-16-0915	Commutator Insulator	(1)
23	02-04-2080	Ball Bearing	(1)
24	23-66-2400	Switch	(1)
25	06-82-7271	6-19 x 7/8" Pan Hd. Plastite T-15	(4)
26	12-20-1100	Service Nameplate Kit	(1)
27	10-98-7090	Warning Label	(1)
28	23-74-1205	Brush Terminal	(2)
29	06-82-7420	6-19 x 2-3/4" Pan Hd. Slit. Plast. T-15	(2)
30	22-20-0555	Brush Holder Assy. (Incl. Carbon Brush)	(2)
31	23-74-1200	Switch Terminal	(2)
32	22-64-0840	Cord Set Assembly	(1)
33	06-82-7326	8-16 x 1" Pan Hd. Slit. Plast. T-20	(4)
34	31-12-0205	Cap	(1)

FIG.	PART NO.	DESCRIPTION OF PART	NO. REQ.
35	40-50-8650	Compression Spring	(1)
36	34-40-4300	O-Ring	(1)
37	44-60-0845	Lock Pin	(1)
38	06-82-5316	8-32 x 1/2" Pan Hd. Slit. Tapt. T-20	(4)
39	42-42-0395	Lock-On Button	(1)
40	31-92-0320	Paddle Assembly	(1)
41	06-65-1915	Pin	(1)
42	42-42-0390	Lock-Off Button	(1)
43	40-50-8750	Torsion Spring	(1)
44	42-92-0950	Hood	(1)
45	06-82-7251	8-16 x 3/8" Pan Hd. Slit. Plast. T-20	(3)
46	31-15-0455	Left Cover	(1)
47	49-15-0310	Side Handle	(1)
48	28-41-0975	Guard Assembly	(1)
49	-----	4-1/2" Disc - Select From Catalog	(1)
★ 51	06-55-3815	10-32 Hex Nut	(1)
55	40-50-0921	Compression Spring	(1)
	49-96-7201	Spanner Wrench	(1)

FIG. LUBRICATION:

9,14 Type "O" Grease, No. 49-08-4200, Must Be Applied To All Gear Teeth.

10 18-21 Grams Type "O" Grease, No. 49-08-4200.

FIG. NOTES:

5 Seal To Face External Environment.

11 Press .09" Below Casting Surface.

32 Tuck All Cord Leads Away From Vent Openings.

MILWAUKEE ELECTRIC TOOL CORPORATION
13135 W. Lisbon Road, Brookfield, WI 53005