



SERVICE PARTS LIST

BULLETIN NO.
54-38-3505

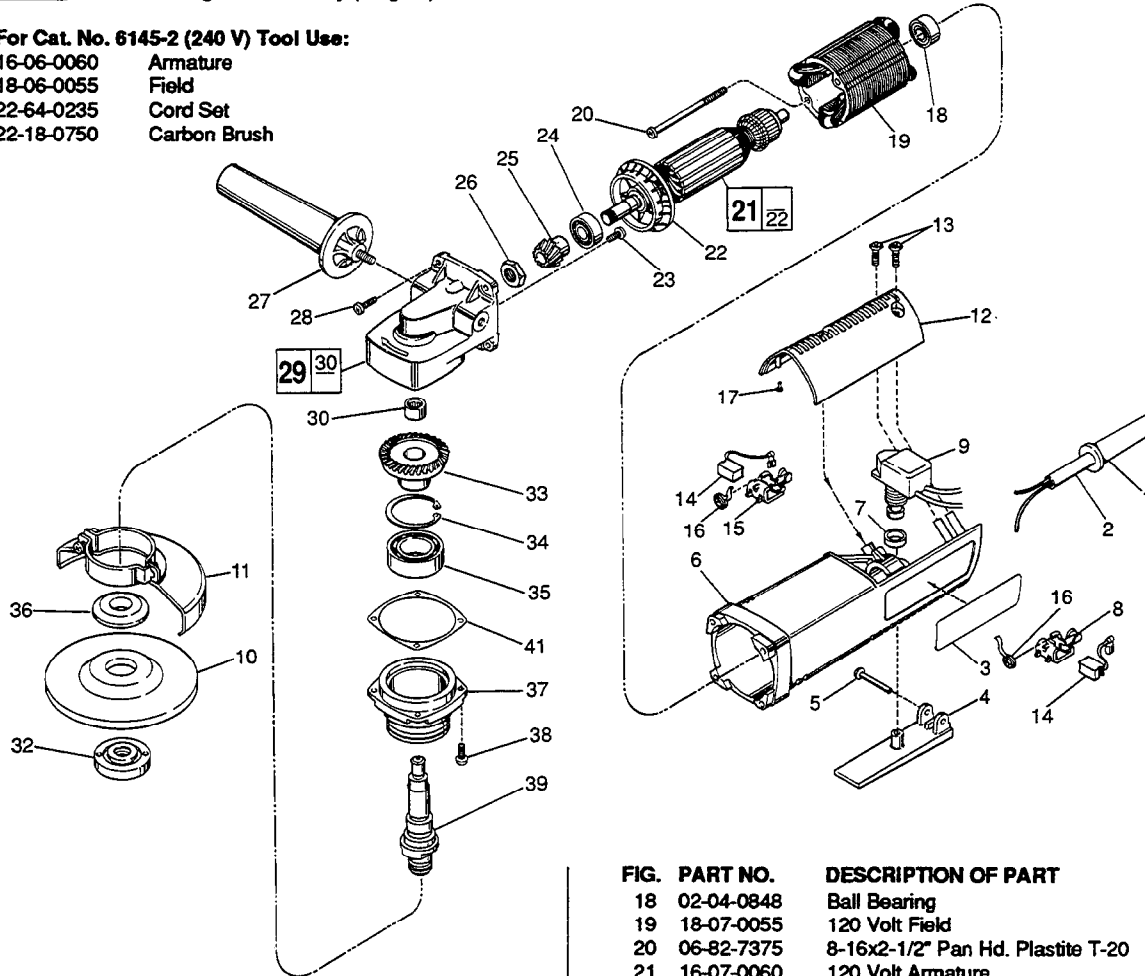
| | | | |
|--|---------------------------------------|---|---------|
| SPECIFY CATALOG NO. AND SERIAL NO. WHEN ORDERING PARTS | | REVISED BULLETIN | DATE |
| 4-1/2" D.I. SANDER-GRINDER | | 54-38-3504 | Mar.'93 |
| CATALOG NO. 6145 | STARTING SERIAL NO. 627-411585 | WIRING INSTRUCTION 58-01-0309 | |

EXAMPLE:

00 0 Component Parts (Small #) Are Included
When Ordering The Assembly (Large #).

For Cat. No. 6145-2 (240 V) Tool Use:

- | | |
|------------|--------------|
| 16-06-0060 | Armature |
| 18-06-0055 | Field |
| 22-64-0235 | Cord Set |
| 22-18-0750 | Carbon Brush |



| FIG. | PART NO. | DESCRIPTION OF PART | NO. REQ. |
|------|----------|--|----------|
| | 1 | 44-76-0130 Cord Protector | (1) |
| | 2 | 22-64-0215 Cord Set | (1) |
| | 3 | 12-65-4128 Service Nameplate | (1) |
| ★ | 4 | 31-92-0112 Trigger | (1) |
| | 5 | 06-72-0815 .146 Dia. x 1-3/8" Rivet | (1) |
| | 6 | 31-50-0425 Motor Housing | (1) |
| | 7 | 44-90-4245 Rubber Ring | (1) |
| | 8 | 22-20-0691 Left Brush Holder | (1) |
| ★ | 9 | 23-66-2170 Switch | (1) |
| | 10 | 4-1/2" Disc-Select from Catalog | (1) |
| | 11 | 49-12-0320 Wheel Guard Assembly | (1) |
| | 12 | 31-15-0142 Cover | (1) |
| | 13 | 06-82-7270 8-16x5/8" Pan Hd. Slit. Plastite T-20 | (3) |
| | 14 | 22-18-0710 Carbon Brush | (2) |
| | 15 | 22-20-0692 Right Brush Holder | (1) |
| | 16 | 23-52-0240 Brush Spring | (2) |
| | 17 | 42-38-0181 Rubber Bumper | (2) |

| FIG. | PART NO. | DESCRIPTION OF PART | NO. REQ. |
|------|----------|--|----------|
| | 18 | 02-04-0848 Ball Bearing | (1) |
| | 19 | 18-07-0055 120 Volt Field | (1) |
| | 20 | 06-82-7375 8-16x2-1/2" Pan Hd. Plastite T-20 | (2) |
| | 21 | 16-07-0060 120 Volt Armature | (1) |
| | 22 | 22-84-0680 Fan | (1) |
| | 23 | 06-82-2292 8-32x3/8" Pan Hd. Slit. Taptite T-20 | (2) |
| | 24 | 02-04-1020 Ball Bearing | (1) |
| | 25 | 32-60-1300 Pinion | (1) |
| | 26 | 06-57-5006 1/4-28 Hex Lock Nut | (1) |
| | 27 | 49-15-0251 Side Handle | (1) |
| | 28 | 06-82-7270 8-16x5/8" Pan Hd. Slit. Plastite T-20 | (4) |
| | 29 | 14-30-0300 Gear Case Assembly | (1) |
| | 30 | 02-50-2423 Needle Bearing | (1) |
| | 32 | 49-05-0050 Flange Nut | (1) |
| | 33 | 32-05-1300 Spiral Bevel Gear | (1) |
| | 34 | 34-80-2960 Retaining Ring-Internal | (1) |
| | 35 | 02-04-1746 Ball Bearing | (1) |
| | 36 | 49-05-0040 Flange | (1) |
| | 37 | 28-53-0220 Spindle Hub | (1) |
| | 38 | 06-82-5316 8-32x1/2" Pan Hd. Slit. Taptite T-20 | (4) |
| | 39 | 38-50-5201 Spindle | (1) |
| | 41 | 45-14-0160 Shim | (0-3) |
| | | 49-96-4078 3/4" Wrench | (1) |
| | | 49-96-7201 Spanner Wrench | (1) |

FIG. LUBRICATION

31 1/4 Oz. "O" Grease, NO. 49-08-4200.

MILWAUKEE ELECTRIC TOOL CORPORATION
13135 W. LISBON RD., BROOKFIELD, WI 53005