



SERVICE PARTS LIST

BULLETIN NO.
54-38-3502

SPECIFY CATALOG NO. AND SERIAL NO. WHEN ORDERING PARTS		REVISED BULLETIN 54-34-3501	DATE Sept. '86
4-1/2" D.I. SANDER-GRINDER		WIRING INSTRUCTION 58-01-0306	
CATALOG NO. 6145	STARTING SERIAL NO. 627-133000		
CAT. NO.	START SER. NO.	BILINGUAL LABEL	

FOR CAT. NO. 6145-2 (240V) TOOL USE:
 16-06-0055 ARMATURE
 18-06-0055 FIELD
 22-64-0235 CORD SET

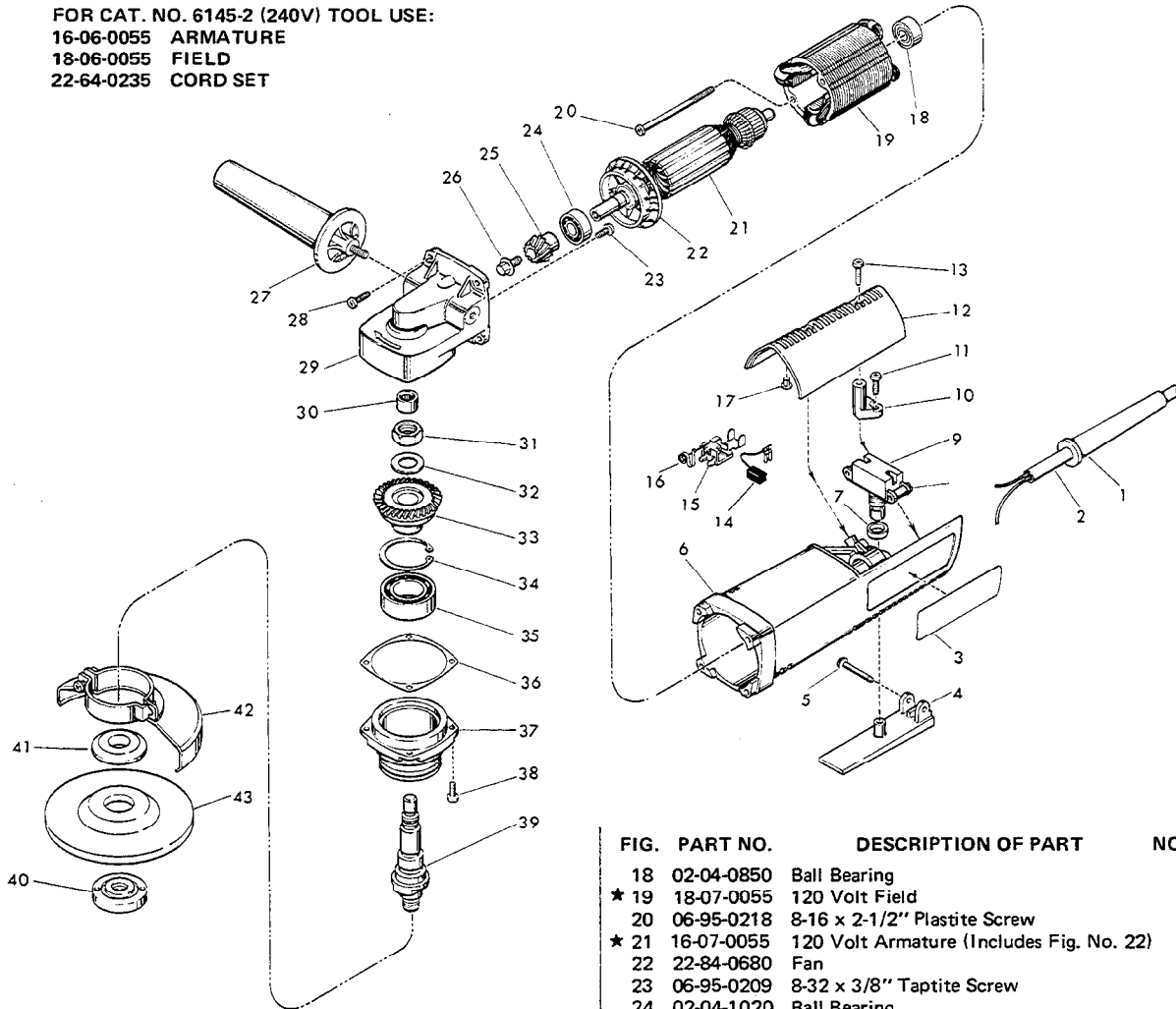


FIG.	PART NO.	DESCRIPTION OF PART	NO. REQ.
	1	44-76-0110 Cord Protector	(1)
	2	22-64-0215 Cord Set	(1)
★	3	12-65-4128 Service Nameplate	(1)
		12-65-4106 Service Nameplate (Canada)	
	4	31-92-0110 Trigger	(1)
	5	06-72-0810 .146 Dia. x 1-3/32" Rivet	(1)
	6	31-50-0420 Motor Housing	(1)
	7	44-90-4245 Rubber Ring	(1)
	8	06-95-0125 Switch Terminal Screw	(2)
	9	23-66-1170 Switch	(1)
	10	31-17-0120 Cord Clamp	(1)
	11	06-95-0216 8-16 x 5/8" Plastite Screw	(2)
	12	31-15-0140 Cover	(1)
		31-15-0290 Cover (Canada)	
	13	06-95-0216 8-16 x 5/8" Plastite Screw	(2)
★	14	22-18-0710 Carbon Brush	(2)
★	15	22-20-0690 Brush Holder	(2)
★	16	23-52-0240 Brush Spring	(2)
	17	42-38-0180 Rubber Bumper	(2)

FIG.	PART NO.	DESCRIPTION OF PART	NO. REQ.
	18	02-04-0850 Ball Bearing	(1)
★	19	18-07-0055 120 Volt Field	(1)
	20	06-95-0218 8-16 x 2-1/2" Plastite Screw	(2)
★	21	16-07-0055 120 Volt Armature (Includes Fig. No. 22)	(1)
	22	22-84-0680 Fan	(1)
	23	06-95-0209 8-32 x 3/8" Taptite Screw	(2)
	24	02-04-1020 Ball Bearing	(1)
★	25	32-60-2180 Pinion	(1)
	26	06-75-0074 1/4-20x3/8" Hex Washer Hd Screw	(1)
★	27	49-15-0251 Side Handle	(1)
	28	06-95-0216 8-16x5/8" Plastite Screw	(4)
	29	14-30-0300 Gear Case Assembly (Includes Fig. No. 30)	(1)
	30	02-50-2423 Needle Bearing	(1)
	31	06-55-2850 1/2-13 Hex Nut	(1)
	32	45-88-7520 Washer	(1)
★	33	32-05-1186 Spiral Bevel Gear	(1)
	34	34-80-2960 Retaining Ring-Internal	(1)
	35	02-04-1746 Ball Bearing	(1)
	36	45-14-0160 Shim (0 to 3 as Required.)	(1)
	37	28-53-0220 Spindle Hub	(1)
	38	06-95-0700 8-32 x 1/2" Pan Hd. Taptite Screw	(4)
★	39	38-50-5200 Spindle - Threaded (Shown)	(1)
		38-50-5201 Spindle - Press Fit (Discard Nut & Washer Fig. Nos. 31 & 32)	(1)
	40	49-05-0050 Flange Nut	(1)
	41	49-05-0040 Flange	(1)
	42	49-12-0320 Wheel Guard Assembly	(1)
	43	- 4-1/2" Disc - Select From Catalog	(1)
		49-96-4078 3/4" Wrench (Not Shown)	(1)
		49-96-7200 Spanner Wrench (Not Shown)	(1)

MILWAUKEE ELECTRIC TOOL CORPORATION
 13135 W. LISBON RD., BROOKFIELD, WIS. 53005