



SERVICE PARTS LIST

BULLETIN NO.
54-38-0258

SPECIFY CATALOG NO. AND SERIAL NO. WHEN ORDERING PARTS		REVISED BULLETIN	DATE
5" D.I. SANDER-GRINDER		54-38-0257	Mar.'94
CATALOG NO. 6141	STARTING SERIAL NO. 763B	WIRING INSTRUCTION	
		58-01-0309	

EXAMPLE:

00	0
----	---

 Component Parts (Small #) Are Included
 When Ordering The Assembly (Large #).

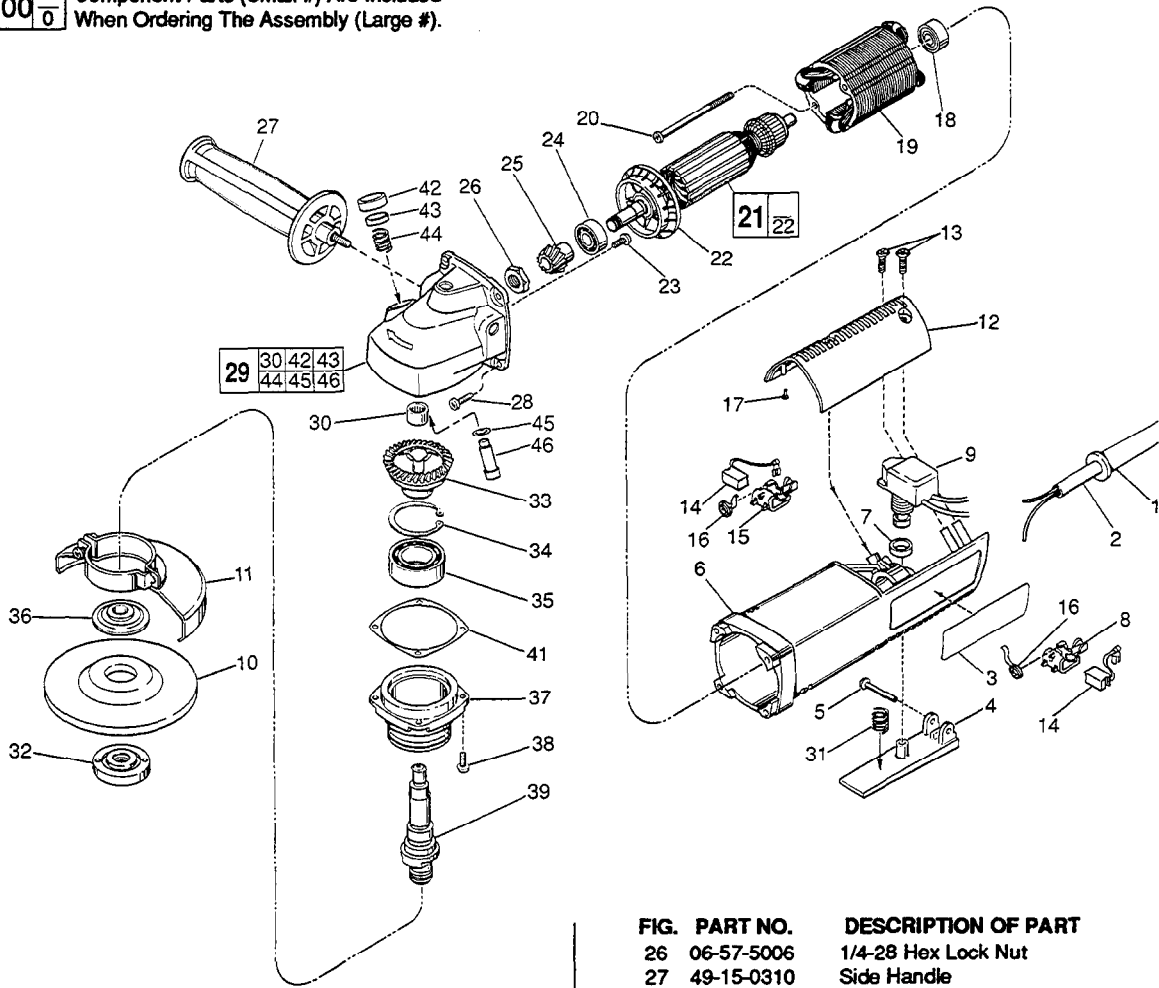


FIG.	PART NO.	DESCRIPTION OF PART	NO.	REQ.
1	44-76-0130	Cord Protector	(1)	
2	22-64-0215	Cord Set	(1)	
3	12-20-0510	Service Nameplate Kit	(1)	
4	31-92-0112	Trigger	(1)	
5	06-72-0815	.146 Dia. x 1-3/8" Rivet	(1)	
6	31-50-0425	Motor Housing	(1)	
7	44-90-4245	Rubber Ring	(1)	
8	22-20-0691	Left Brush Holder	(1)	
9	23-66-2170	Switch	(1)	
10		5" Disc-Select from Catalog	(1)	
11	49-12-0330	Wheel Guard Assembly	(1)	
12	31-15-0143	Cover	(1)	
13	06-82-7270	8-16x5/8" Pan Hd. Slit. Plast. T-20	(3)	
14	22-18-0710	Carbon Brush	(2)	
15	22-20-0692	Right Brush Holder	(1)	
16	23-52-0240	Brush Spring	(2)	
17	42-38-0181	Rubber Bumper	(2)	
18	02-04-0848	Ball Bearing	(1)	
19	18-07-0055	120 Volt Field	(1)	
20	06-82-7375	8-16x2-1/2" Pan Hd. Plast. T-20	(2)	
21	16-07-0060	120 Volt Armature	(1)	
22	22-84-0680	Fan	(1)	
23	06-82-2292	8-32x3/8" Pan Hd. Slit. Taptite T-20	(2)	
24	02-04-1020	Ball Bearing	(1)	
★25	32-60-1305	Pinion	(1)	

FIG.	PART NO.	DESCRIPTION OF PART	NO.	REQ.
26	06-57-5006	1/4-28 Hex Lock Nut	(1)	
27	49-15-0310	Side Handle	(1)	
28	06-82-7270	8-16x5/8" Pan Hd. Slit. Plast. T-20	(4)	
29	14-30-0301	Gear Case Assembly	(1)	
30	02-50-2423	Needle Bearing	(1)	
31	40-50-1300	Coil Spring	(1)	
32	49-05-0051	Flange Nut	(1)	
★33	32-05-2240	Spiral Bevel Gear	(1)	
34	34-80-2960	Retaining Ring-Internal	(1)	
35	02-04-1746	Ball Bearing	(1)	
36	49-05-0070	Flange	(1)	
37	28-53-0220	Spindle Hub	(1)	
38	06-82-5316	8-32x1/2" Pan Hd. Slit. Taptite T-20	(4)	
39	38-50-5202	Spindle	(1)	
41	45-14-0160	Shim	(0-3)	
42	31-12-0265	Cap	(1)	
43	42-42-0075	Lock Button	(1)	
44	40-50-1300	Coil Spring	(1)	
45	34-40-4300	O-Ring	(1)	
★46	44-60-1375	Lock Pin	(1)	
	49-96-7201	Spanner Wrench	(1)	

FIG. LUBRICATION
 29 1/4 Oz. "O" Grease, No. 49-08-4200.
FIG. NOTES:
 26 Torque To 60 In./Lbs.

MILWAUKEE ELECTRIC TOOL CORPORATION
 13135 W. LISBON RD., BROOKFIELD, WI 53005