



SERVICE PARTS LIST

BULLETIN NO.
55-38-3551

SPECIFY CATALOG NO. AND SERIAL NO. WHEN ORDERING PARTS		REVISED BULLETIN	DATE
4-1/2" D.I. SANDER-GRINDER		55-38-3550	Jan.'93
CATALOG NO. 6140-2	STARTING SERIAL NO. 762-1211	WIRING INSTRUCTION 58-01-0306	

EXAMPLE:

00 0 Component Parts (Small #) Are Included When Ordering The Assembly (Large #).

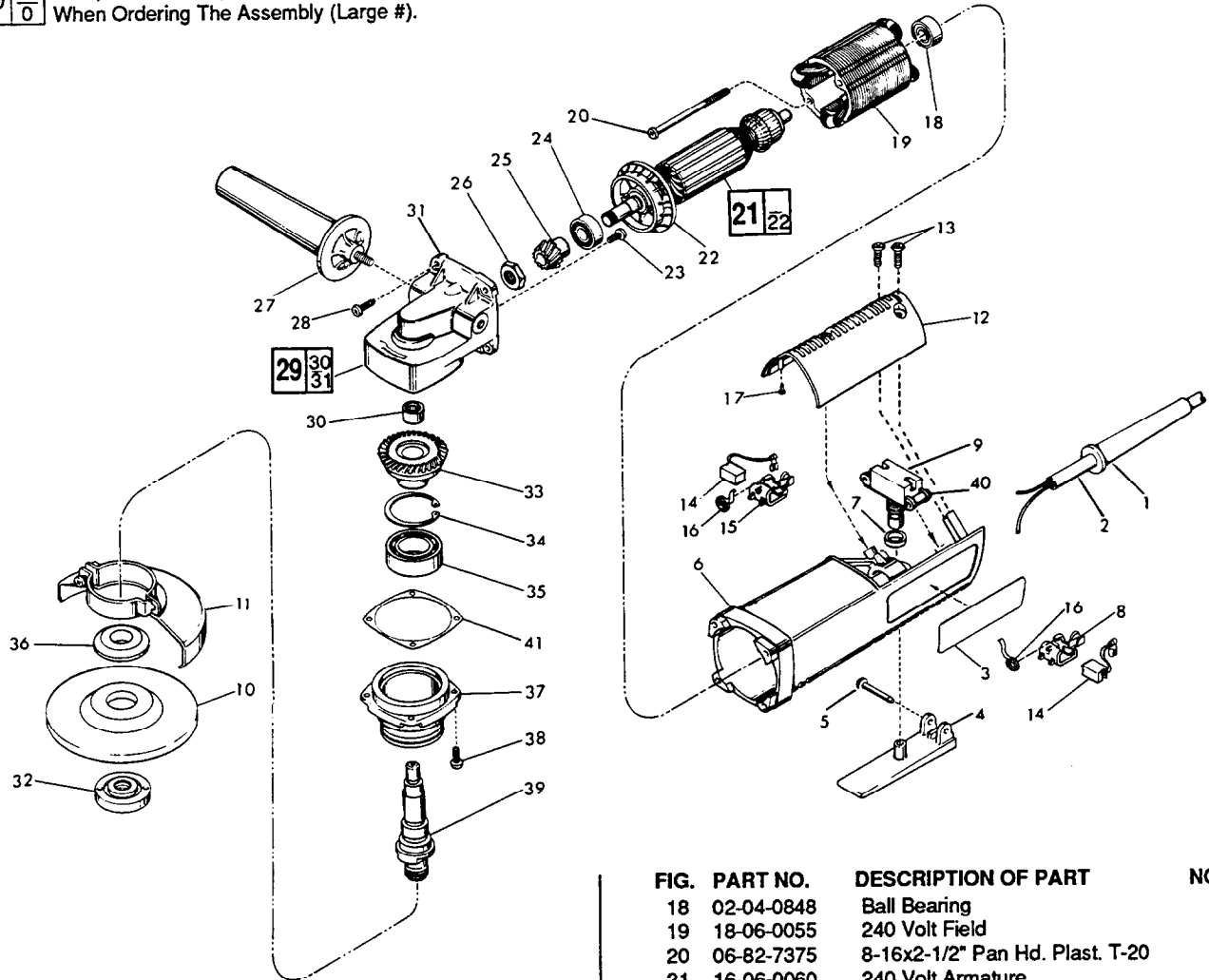


FIG.	PART NO.	DESCRIPTION OF PART	NO.	REQ.
1	44-76-0130	Cord Protector	(1)	
2	22-64-0235	Cord Set	(1)	
3	12-65-4128	Service Nameplate	(1)	
4	31-92-0110	Trigger	(1)	
5	06-72-0815	.146 Dia. x 1-3/8" Rivet	(1)	
6	31-50-0425	Motor Housing	(1)	
7	44-90-4245	Rubber Ring	(1)	
8	22-20-0691	Left Brush Holder	(1)	
9	23-66-1170	Switch	(1)	
10		4-1/2" Disc-Select from Catalog	(1)	
11	49-12-0320	Wheel Guard Assembly	(1)	
12	31-15-0142	Cover	(1)	
13	06-82-7270	8-16x5/8" Pan Hd. Slit. Plast. T-20	(3)	
14	22-18-0750	Carbon Brush	(2)	
15	22-20-0692	Right Brush Holder	(1)	
16	23-52-0240	Brush Spring	(2)	
17	42-38-0181	Rubber Bumper	(2)	

FIG.	PART NO.	DESCRIPTION OF PART	NO.	REQ.
18	02-04-0848	Ball Bearing	(1)	
19	18-06-0055	240 Volt Field	(1)	
20	06-82-7375	8-16x2-1/2" Pan Hd. Plast. T-20	(2)	
21	16-06-0060	240 Volt Armature	(1)	
22	22-84-0680	Fan	(1)	
★ 23	06-82-2292	8-32x3/8" Pan Hd. Slit. Taptite T-20	(2)	
24	02-04-1020	Ball Bearing	(1)	
★ 25	32-60-1300	Pinion	(1)	
26	06-57-5006	1/4-28 Hex Lock Nut	(1)	
27	49-15-0251	Side Handle	(1)	
28	06-82-7270	8-16x5/8" Pan Hd. Slit. Plast. T-20	(4)	
29	14-30-0300	Gear Case Assembly	(1)	
30	02-50-2423	Needle Bearing	(1)	
31	28-14-1421	Gear Case	(1)	
32	49-05-0051	Flange Nut	(1)	
★ 33	32-05-1300	Spiral Bevel Gear	(1)	
34	34-80-2960	Retaining Ring-Internal	(1)	
35	02-04-1746	Ball Bearing	(1)	
36	49-05-0040	Flange	(1)	
37	28-53-0220	Spindle Hub	(1)	
38	06-82-5316	8-32x1/2" Pan Hd. Slit. Taptite T-20	(4)	
39	38-50-5202	Spindle	(1)	
40	06-95-0125	Switch Terminal Screw	(2)	
41	45-14-0160	Shim	(0-3)	
	49-96-4078	3/4" Wrench	(1)	
★	49-96-7201	Spanner Wrench	(1)	

FIG. LUBRICATION

31 1/4 Oz. "O" Grease No. 49-08-4200.

MILWAUKEE ELECTRIC TOOL CORPORATION
13135 W. LISBON RD., BROOKFIELD, WI 53005