



SERVICE PARTS LIST

BULLETIN NO.
54-38-3555

SPECIFY CATALOG NO. AND SERIAL NO. WHEN ORDERING PARTS		REVISED BULLETIN	DATE
4-1/2" D.I. SANDER-GRINDER		54-38-3554	Mar.'94
CATALOG NO. 6140	STARTING SERIAL NO. 762B	WIRING INSTRUCTION 58-01-0309	

EXAMPLE:

Component Parts (Small #) Are Included
When Ordering The Assembly (Large #).

00
0

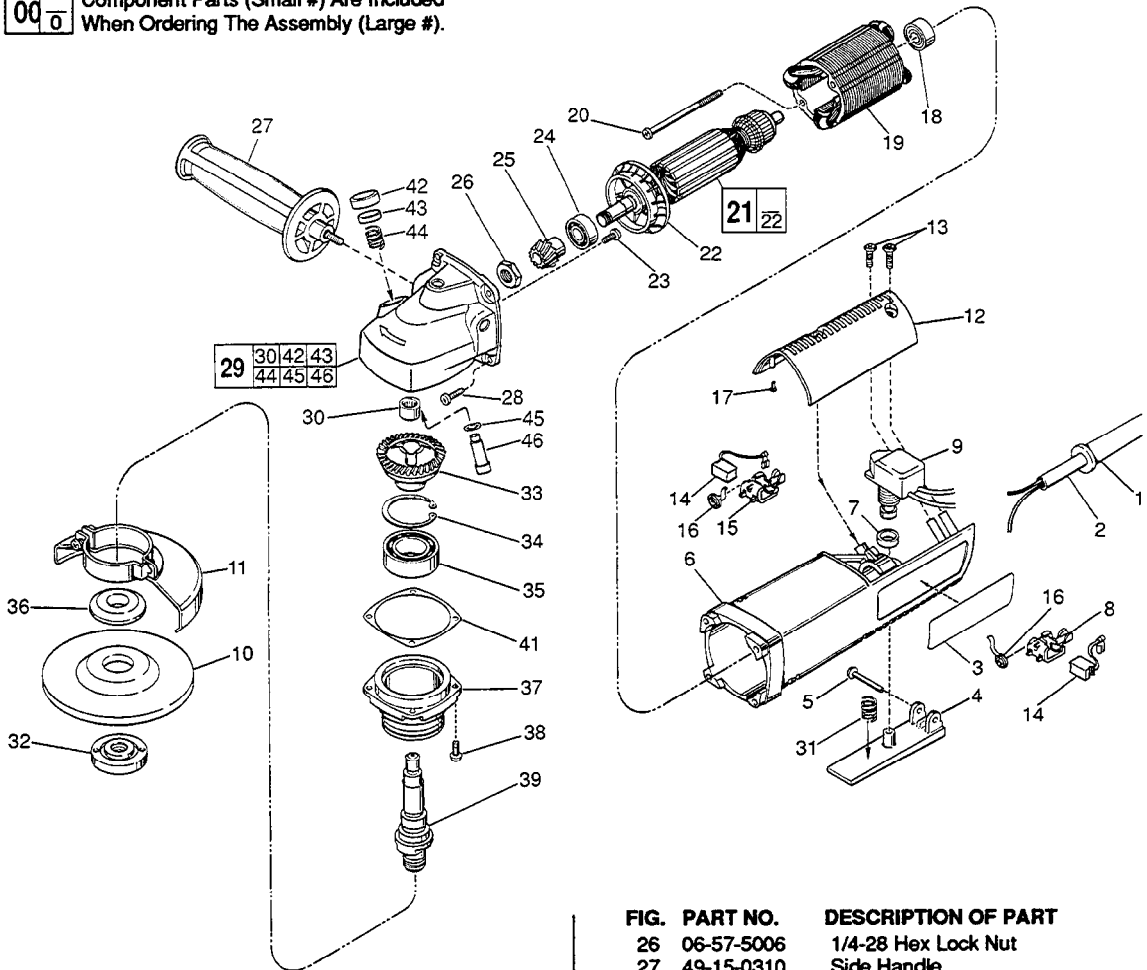


FIG. PART NO.	DESCRIPTION OF PART	NO. REQ.
1 44-76-0130	Cord Protector	(1)
2 22-64-0215	Cord Set	(1)
3 12-20-0490	Service Nameplate Kit	(1)
4 31-92-0112	Trigger	(1)
5 06-72-0815	.146 Dia. x 1-3/8" Rivet	(1)
6 31-50-0425	Motor Housing	(1)
7 44-90-4245	Rubber Ring	(1)
8 22-20-0691	Left Brush Holder	(1)
9 23-66-2170	Switch	(1)
10	4-1/2" Disc-Select from Catalog	(1)
11 49-12-0320	Wheel Guard Assembly	(1)
12 31-15-0143	Cover	(1)
13 06-82-7270	8-16x5/8" Pan Hd. Slit. Plast. T-20	(3)
14 22-18-0710	Carbon Brush	(2)
15 22-20-0692	Right Brush Holder	(1)
16 23-52-0240	Brush Spring	(2)
17 42-38-0181	Rubber Bumper	(2)
18 02-04-0848	Ball Bearing	(1)
19 18-07-0055	120 Volt Field	(1)
20 06-82-7375	8-16x2-1/2" Pan Hd. Plast. T-20	(2)
21 16-07-0060	120 Volt Armature	(1)
22 22-84-0680	Fan	(1)
23 06-82-2292	8-32x3/8" Pan Hd. Slit. Taptite T-20	(2)
24 02-04-1020	Ball Bearing	(1)
★ 25 32-60-1305	Pinion	(1)

FIG. PART NO.	DESCRIPTION OF PART	NO. REQ.
26 06-57-5006	1/4-28 Hex Lock Nut	(1)
27 49-15-0310	Side Handle	(1)
28 06-82-7270	8-16x5/8" Pan Hd. Slit. Plast. T-20	(4)
29 14-30-0301	Gear Case Assembly	(1)
30 02-50-2423	Needle Bearing	(1)
31 40-50-1300	Coil Spring	(1)
32 49-05-0051	Flange Nut	(1)
★ 33 32-05-2240	Spiral Bevel Gear	(1)
34 34-80-2960	Retaining Ring-Internal	(1)
35 02-04-1746	Ball Bearing	(1)
36 49-05-0040	Flange	(1)
37 28-53-0220	Spindle Hub	(1)
38 06-82-5316	8-32x1/2" Pan Hd. Slit. Taptite T-20	(4)
39 38-50-5202	Spindle	(1)
41 45-14-0160	Shim	(0-3)
42 31-12-0265	Cap	(1)
43 42-42-0075	Lock Button	(1)
44 40-50-1300	Coil Spring	(1)
45 34-40-4300	O-Ring	(1)
★ 46 44-60-1375	Lock Pin	(1)
49-96-7201	Spanner Wrench	(1)

FIG. LUBRICATION
29 1/4 Oz. "O" Grease, No. 49-08-4200.

FIG. NOTES:
26 Torque To 60 In./Lbs.

MILWAUKEE ELECTRIC TOOL CORPORATION
13135 W. LISBON RD., BROOKFIELD, WI 53005