



# SERVICE PARTS LIST

**BULLETIN NO.**  
**55-38-6141**

SPECIFY CATALOG NO. AND SERIAL NO. WHEN ORDERING PARTS		REVISED BULLETIN	DATE
<b>4.5" (115mm) ANGLE GRINDER</b>		55-38-6140	Nov. 2014
<b>CATALOG NO.</b>	<b>6130-59A</b>	<b>WIRING INSTRUCTION</b>	
<b>STARTING SERIAL NO.</b>	<b>C47B</b>	<b>SEE PAGE 3</b>	

★ = Part number change from previous service parts list.

FIG.	PART NO.	DESCRIPTION OF PART	NO. REQ.
29	-----	Ball Bearing	(1)
★ 30	02-04-0110	Ball Bearing	(1)
★ 31	45-88-1995	Flat Washer	(1)
32	42-42-0020	Spindle Lock Button	(1)
33	40-50-1330	Spring	(1)
34	34-40-0270	O-Ring	(1)
35	42-60-0015	Spindle Lock Pin	(1)
36	42-40-0025	Bushing	(1)
★ 37	-----	Bevel Gear	(1)
★ 38	-----	Gearcase	(1)
39	38-50-0130	M14 Spindle	(1)
40	34-60-0105	Retaining Plate	(1)
★ 50	16-04-0300	Armature Assembly	(1)
	42-62-0110	Side Handle (Not Shown)	(1)
	43-54-1100	4.5" T27 Guard (Not Shown) (Standard)	(1)

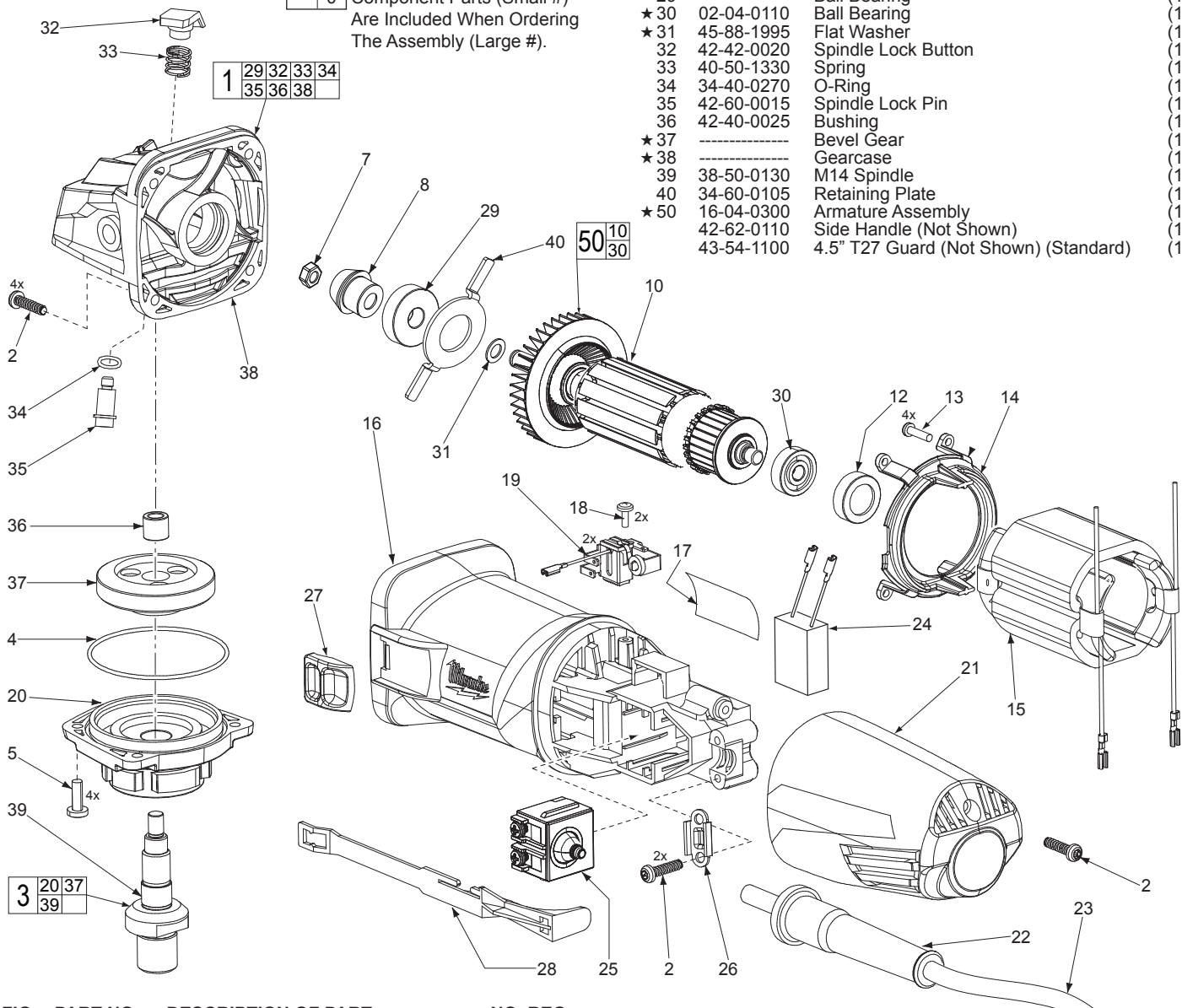


FIG.	PART NO.	DESCRIPTION OF PART	NO. REQ.
★ 1	14-30-0170	Gearcase Assembly	(1)
★ 2	05-88-1200	M4 x 16 Pan Hd. Plastite T-20 Screw	(7)
★ 3	14-73-0065	M14 Spindle/Hub Assembly	(1)
★ 4	34-40-0095	O-Ring	(1)
★ 5	06-82-2380	#8-32 x 1/2" Pan Hd. Slit. Tapt. T-20 Screw	(4)
★ 7	05-55-0620	Nut	(1)
★ 8	32-60-0275	Bevel Pinion	(1)
★ 10	-----	Armature	(1)
★ 12	42-96-0177	Rubber Bearing Cup	(1)
★ 13	06-82-3002	Pan Hd. Taptite T-10 ST Screw	(4)
★ 14	42-14-0020	Baffle	(1)
★ 15	18-04-0030	Service Field Assembly	(1)
★ 16	31-50-0916	Motor Housing	(1)
★ 17	-----	Service Nameplate Kit	(1)
★ 18	05-88-1100	M3 x 10 Pan Hd. T-10 Screw	(2)
★ 19	22-22-0095	Carbon Brush Assembly	(2)
★ 20	14-73-0025	Lower Gearcase Hub	(1)
★ 21	31-50-0935	Rear Handle	(1)
★ 22	44-76-0210	Cord Protector	(1)
★ 23	22-64-4035	Cordset	(1)
★ 24	23-38-0025	Capacitor	(1)
★ 25	23-66-0385	Switch	(1)
★ 26	31-17-0040	Cord Clamp	(1)
★ 27	31-92-0015	Slide Switch Button	(1)
★ 28	31-92-0020	Slide Pole	(1)

FIG.	PART NO.	DESCRIPTION OF PART	NO. REQ.
	43-54-1115	4.5" T1 Guard (Not Shown) (Optional)	(1)
	49-96-0015	Spanner Wrench (Not Shown)	(1)
	43-05-0055	M14 Inner Disk Flange (Not Shown)	(1)
	44-40-0125	M14 Outer Disk Flange (Not Shown)	(1)

**\* LUBRICATION NOTE:** When servicing the Gears (8 & 37) or the Gearcase (38), 90-95% of the old grease must be removed prior to new grease being added.

FIG.	LUBRICATION (*See lubrication note above):
8,37	Type "Y" Grease, No. 49-08-5270, Must Be Applied To All Gear Teeth.
4,38	Lightly coat with grease O-Ring and bearing bore in Gearcase.
38	.4 Ounces (13 Grams) Type "Y" Grease, No. 49-08-5270.

**MILWAUKEE ELECTRIC TOOL CORPORATION**  
13135 W. Lisbon Road, Brookfield, WI 53005  
Drwg. 2