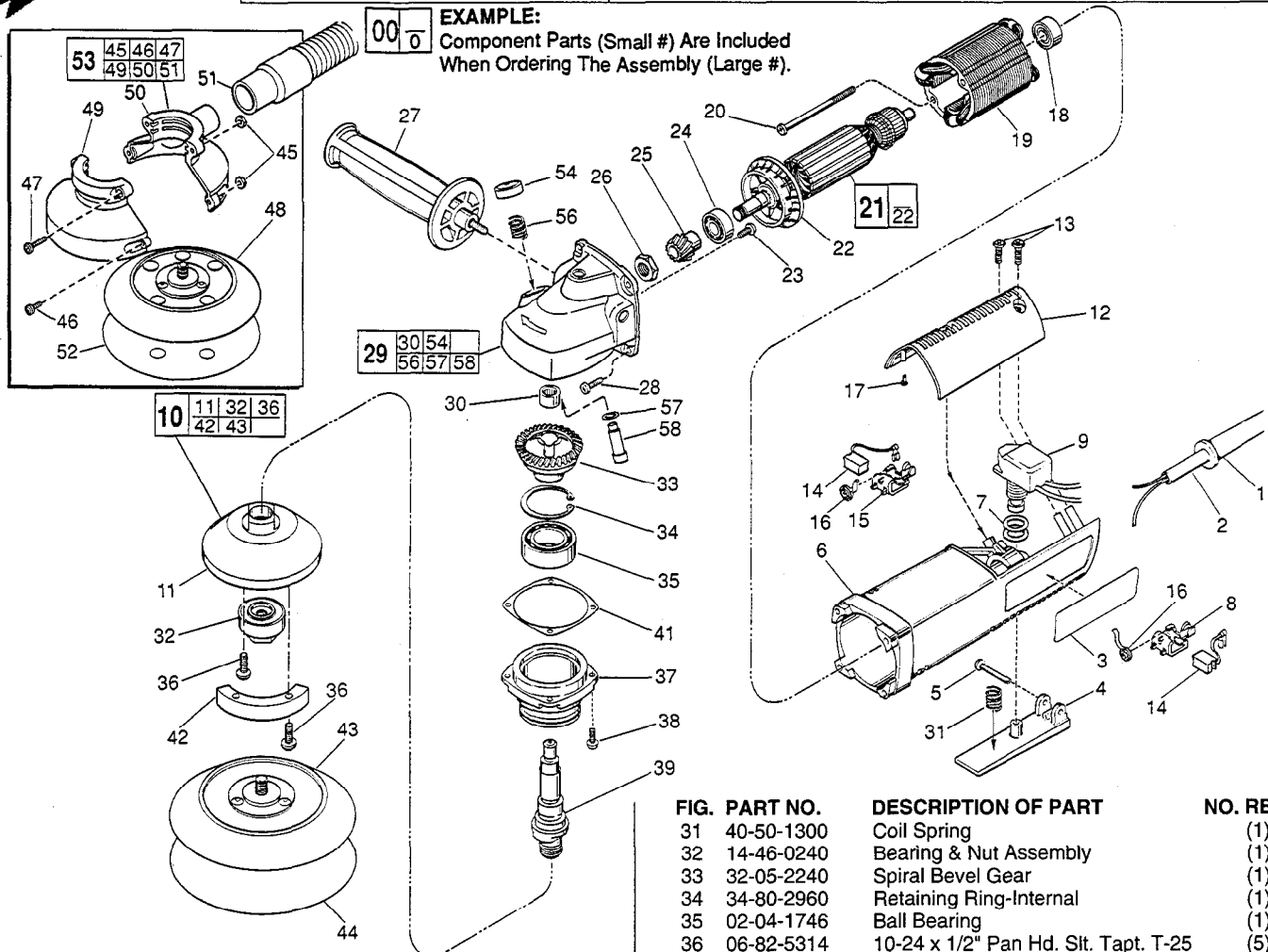




SERVICE PARTS LIST

BULLETIN NO.
54-38-3605

SPECIFY CATALOG NO. AND SERIAL NO. WHEN ORDERING PARTS		REVISED BULLETIN 54-38-3604	DATE May '96
RANDOM ORBIT SANDERS			
CATALOG NO.	6125 6126	STARTING SERIAL NO.	787D 788D
		WIRING INSTRUCTION 58-01-0309	



EXAMPLE:
Component Parts (Small #) Are Included
When Ordering The Assembly (Large #).

FIG.	PART NO.	DESCRIPTION OF PART	NO. REQ.
	1	44-76-0130 Cord Protector	(1)
	2	22-64-0215 Cord Set	(1)
	3	12-20-0690 Service Nameplate Kit	(1)
	4	31-92-0112 Trigger	(1)
	5	06-72-0815 .146 Dia. x 1-3/8" Rivet	(1)
★	6	31-50-0426 Motor Housing	(1)
	7	34-40-4015 O-Ring	(2)
	8	22-20-0691 Left Brush Holder	(1)
	9	23-66-2171 Switch	(1)
	10	43-64-0170 Head Assembly (6125 - 5")	(1)
		43-64-0190 Head Assembly (6126 - 6")	(1)
	11	28-52-0060 Sander Head	(1)
	12	31-15-0143 Cover	(1)
	13	06-82-7270 8-16 x 5/8" Pan Hd. Slit. Plast. T-20	(3)
	14	22-18-0710 Carbon Brush	(2)
	15	22-20-0692 Right Brush Holder	(1)
	16	23-52-0240 Brush Spring	(2)
	17	42-38-0181 Rubber Bumper	(2)
	18	02-04-0848 Ball Bearing	(1)
	19	18-07-0055 120 Volt Field	(1)
	20	06-82-7375 8-16 x 2-1/2" Pan Hd. Plast. T-20	(2)
	21	16-07-0060 120 Volt Armature	(1)
	22	22-84-0680 Fan	(1)
	23	06-82-2292 8-32 x 3/8" Lg. Mach. Screw T-20	(2)
	24	02-04-1020 Ball Bearing	(1)
	25	32-60-1305 Pinion	(1)
★	26	06-55-1115 1/4-28 Hex Jam Nut	(1)
	27	49-15-0310 Side Handle	(1)
★	28	06-82-7260 7-18 x 5/8" Pan Hd. Slit. Plast. T-20	(4)
	29	14-30-0301 Gear Case Assembly	(1)
	30	02-50-2423 Needle Bearing	(1)

FIG.	PART NO.	DESCRIPTION OF PART	NO. REQ.
	31	40-50-1300 Coil Spring	(1)
	32	14-46-0240 Bearing & Nut Assembly	(1)
	33	32-05-2240 Spiral Bevel Gear	(1)
	34	34-80-2960 Retaining Ring-Internal	(1)
	35	02-04-1746 Ball Bearing	(1)
	36	06-82-5314 10-24 x 1/2" Pan Hd. Slit. Tapt. T-25	(5)
	37	28-53-0220 Spindle Hub	(1)
	38	06-82-5316 8-32 x 1/2" Pan Hd. Slit. Taptite T-20	(4)
	39	38-50-5202 Spindle - 5/8-11"	(1)
	41	45-14-0160 Shim	(0-3)
	42	42-88-0101 Counter Weight (6125 - 5")	(1)
		42-88-0105 Counter Weight (6126 - 6")	(1)
	43	49-36-7030 Standard Pad (6125 - 5")	(1)
		49-36-7040 Standard Pad (6126 - 6")	(1)
	44	----- Sandpaper (Select from Catalog)	(1)
	45	06-55-0835 8-32 Hex Nut	(4)
	46	06-82-5316 8-32 x 1/2" Pan Hd. Slit. Tapt. T-20	(2)
	47	06-82-5362 8-32 x 1" Pan Hd. Slit. Tapt. T-20	(2)
	48	49-36-7050 5" Standard Pad w/ Holes	(1)
	49	45-12-0480 Dust Enclosure-Front	(1)
	50	45-12-0490 Dust Enclosure-Back	(1)
	51	48-09-1020 Vacuum Hose Assembly	(1)
	52	----- Sandpaper w/ Holes (Select from Cat.)	(1)
	53	48-09-1000 Dust Pick-Up Kit	(1)
	54	31-12-0205 Cap	(1)
	56	40-50-8650 Coil Spring	(1)
	57	34-40-4300 O-Ring	(1)
	58	44-60-0845 Lock Pin	(1)
		23-78-0150 Elastic Tie	(1)
		49-96-4078 3/4" Wrench	(1)

FIG. LUBRICATION
29 1/4 Oz. "O" Grease No. 49-08-4200.

FIG. NOTES:
26 Torque to 60 In./lbs.

MILWAUKEE ELECTRIC TOOL CORPORATION
13135 W. LISBON RD., BROOKFIELD, WI 53005