



SERVICE PARTS LIST

BULLETIN NO.
54-38-3601

SPECIFY CATALOG NO. AND SERIAL NO. WHEN ORDERING PARTS		REVISED BULLETIN	DATE
RANDOM ORBIT SANDERS		54-38-3600	Sept.'93
CATALOG NO.	6125 6126	STARTING SERIAL NO.	787-8310 788-3274
		WIRING INSTRUCTION 58-01-0309	

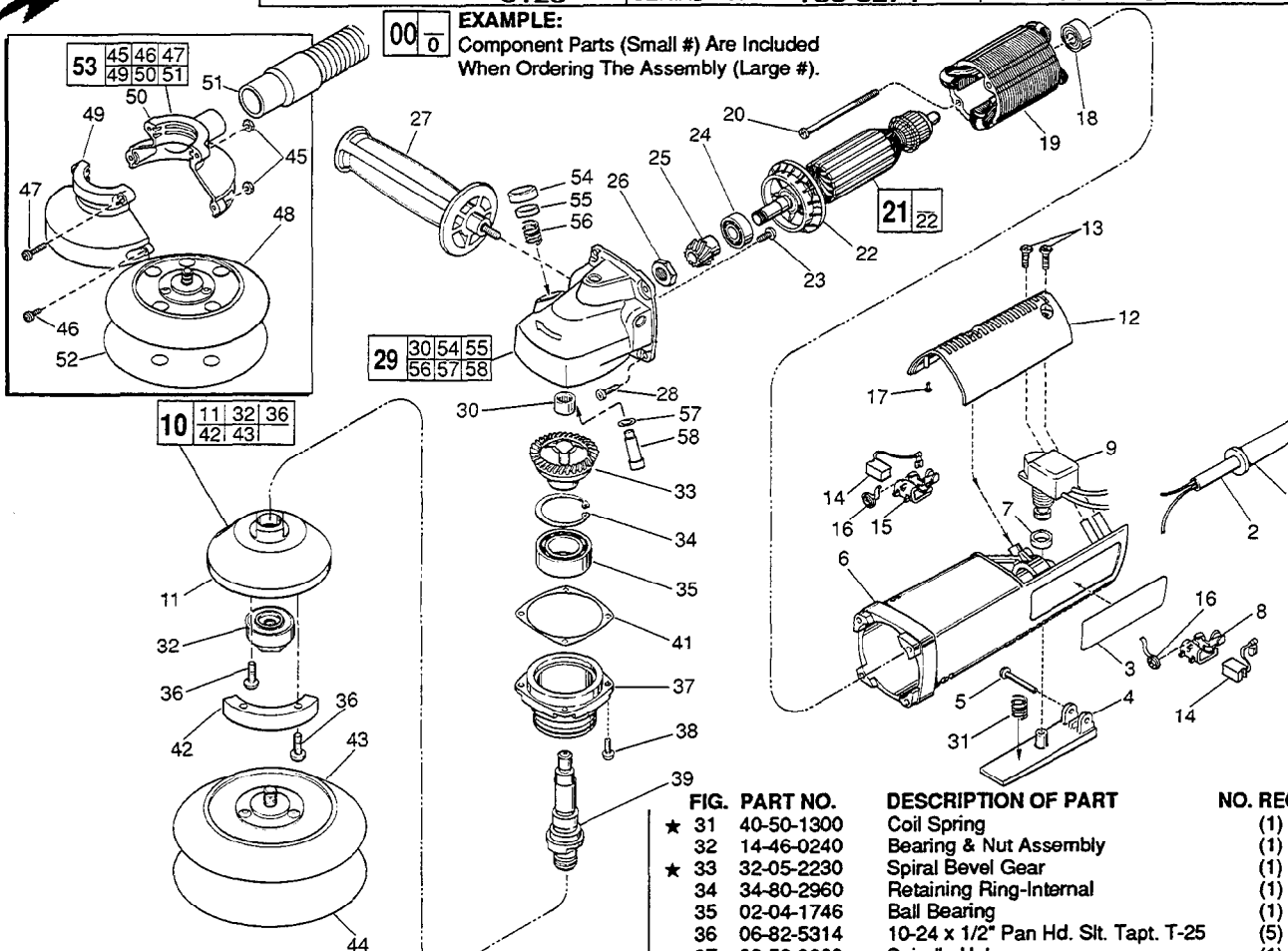


FIG. PART NO.	DESCRIPTION OF PART	NO. REQ.
1	44-76-0130 Cord Protector	(1)
2	22-64-0215 Cord Set	(1)
3	12-65-4129 Service Nameplate	(1)
★ 4	31-92-0112 Trigger	(1)
5	06-72-0815 .146 Dia. x 1-3/8" Rivet	(1)
6	31-50-0425 Motor Housing	(1)
7	44-90-4245 Rubber Ring	(1)
8	22-20-0691 Left Brush Holder	(1)
★ 9	23-66-2170 Switch	(1)
10	43-64-0170 Head Assembly (6125 - 5")	(1)
	43-64-0190 Head Assembly (6126 - 6")	(1)
11	28-52-0060 Sander Head	(1)
12	31-15-0142 Cover	(1)
13	06-82-7270 8-16x5/8" Pan Hd. Slit. Plast. T-20	(3)
14	22-18-0710 Carbon Brush	(2)
15	22-20-0692 Right Brush Holder	(1)
16	23-52-0240 Brush Spring	(2)
17	42-38-0181 Rubber Bumper	(2)
18	02-04-0848 Ball Bearing	(1)
19	18-07-0055 120 Volt Field	(1)
20	06-82-7375 8-16x2-1/2" Pan Hd. Plast. T-20	(2)
21	16-07-0060 120 Volt Armature	(1)
22	22-84-0680 Fan	(1)
23	06-82-2292 8-32x3/8" Lg. Mach. Screw T-20	(2)
24	02-04-1020 Ball Bearing	(1)
25	32-60-1300 Pinion	(1)
26	06-57-5006 1/4-28 Hex Lock Nut	(1)
★ 27	49-15-0310 Side Handle	(1)
28	06-82-7270 8-16x5/8" Pan Hd. Slit. Plast. T-20	(4)
★ 29	14-30-0301 Gear Case Assembly	(1)
30	02-50-2423 Needle Bearing	(1)

FIG. PART NO.	DESCRIPTION OF PART	NO. REQ.
★ 31	40-50-1300 Coil Spring	(1)
32	14-46-0240 Bearing & Nut Assembly	(1)
★ 33	32-05-2230 Spiral Bevel Gear	(1)
34	34-80-2960 Retaining Ring-Internal	(1)
35	02-04-1746 Ball Bearing	(1)
36	06-82-5314 10-24 x 1/2" Pan Hd. Slit. Tapt. T-25	(5)
37	28-53-0220 Spindle Hub	(1)
38	06-82-5316 8-32x1/2" Pan Hd. Slit. Taptite T-20	(4)
39	38-50-5202 Spindle - 5/8-11"	(1)
41	45-14-0160 Shim	(0-3)
42	42-88-0101 Counter Weight (6125 - 5")	(1)
	42-88-0105 Counter Weight (6126 - 6")	(1)
43	49-36-7030 Standard Pad (6125 - 5")	(1)
	49-36-7040 Standard Pad (6126 - 6")	(1)
44	Sandpaper (Select from Catalog)	(1)
45	06-55-0835 8-32 Hex Nut	(4)
46	06-82-5316 8-32 x 1/2" Pan Hd. Slit. Tapt. T-20	(2)
47	06-82-5362 8-32 x 1" Pan Hd. Slit. Tapt. T-20	(2)
48	49-36-7050 5" Standard Pad w/ Holes	(1)
49	45-12-0480 Dust Enclosure-Front	(1)
50	45-12-0490 Dust Enclosure-Back	(1)
51	48-09-1020 Vacuum Hose Assembly	(1)
52	Sandpaper w/ Holes (Select from Cat.)	(1)
53	48-09-1000 Dust Pick-Up Kit	(1)
★ 54	31-12-0265 Cap	(1)
★ 55	42-42-0075 Lock Button	(1)
★ 56	40-50-1300 Coil Spring	(1)
★ 57	34-40-4300 O-Ring	(1)
★ 58	44-60-1370 Lock Pin	(1)
	23-78-0150 Elastic Tie	(1)
	49-96-4078 3/4" Wrench	(1)

FIG. LUBRICATION
29 1/4 Oz. "O" Grease No. 49-08-4200.

FIG. NOTES:
26 Torque to 60 In./lbs.

MILWAUKEE ELECTRIC TOOL CORPORATION
13135 W. LISBON RD., BROOKFIELD, WI 53005