



SERVICE PARTS LIST

BULLETIN NO.
55-38-1425

SPECIFY CATALOG NO. AND SERIAL NO. WHEN ORDERING PARTS		REVISED BULLETIN	DATE
GRINDER			Feb. '97
CATALOG NO.	6099-50	STARTING SERIAL NO.	934A
			WIRING INSTRUCTION SEE BELOW

00 0 EXAMPLE:
Component Parts (Small #)
Are Included When Ordering
The Assembly (Large #).

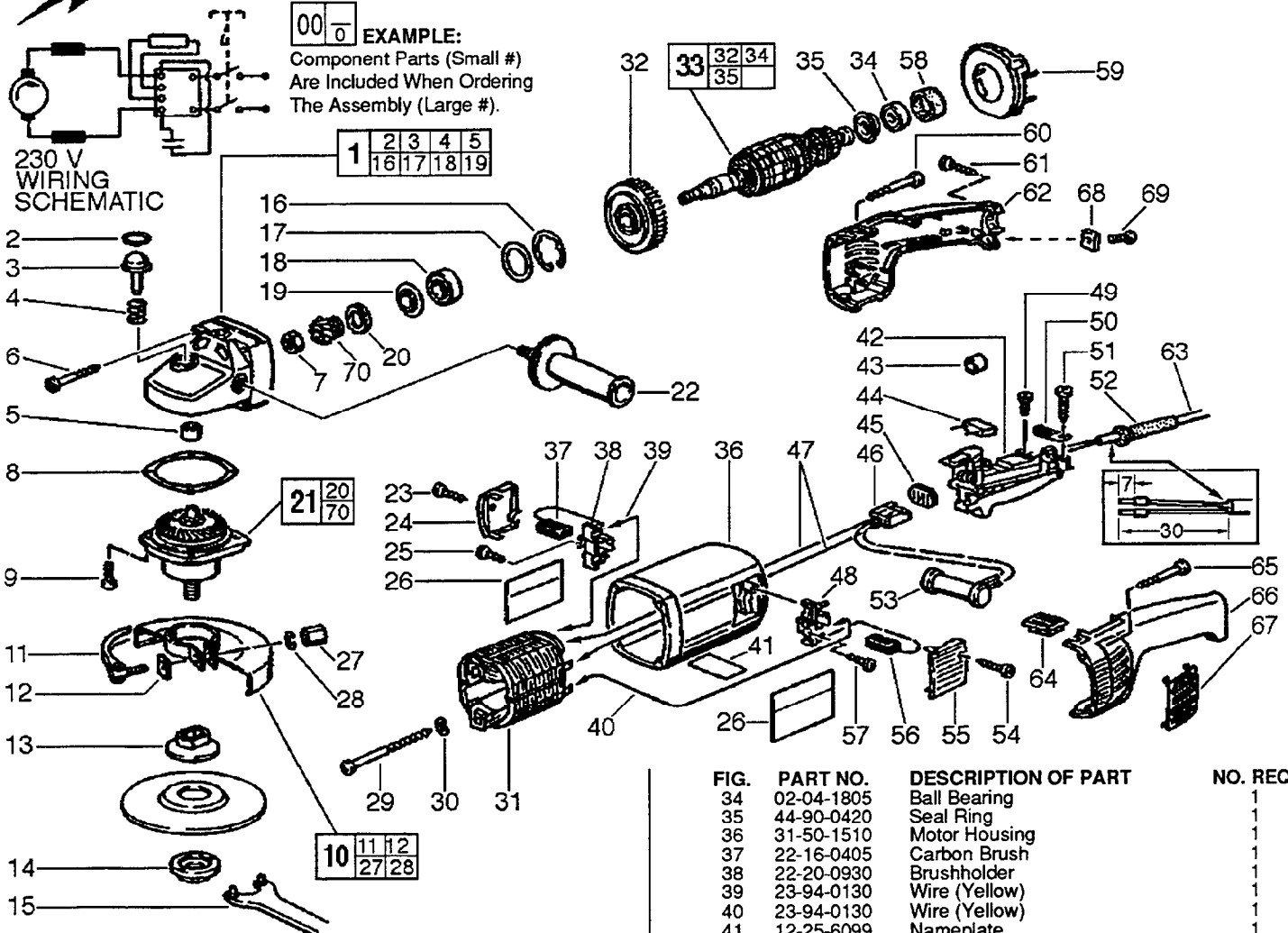


FIG.	PART NO.	DESCRIPTION OF PART	NO. REQ.
1	28-14-0365	Gear Box Assembly	1
2	34-40-1105	O-Ring	1
3	05-77-1500	Locking Bolt	1
4	40-50-8792	Pressure Spring	1
5	45-22-0085	Sleeve	1
6	05-81-0425	Screw	4
7	05-55-0110	Nut	1
8	43-44-1065	Gasket	1
9	05-74-0460	Cap Screw	4
10	49-12-0385	Guard Cap	1
11	44-10-0405	Clamping Lever	1
12	45-24-0215	Slide	1
13	49-05-0095	Flange	1
14	49-40-0400	Flange Nut	1
15	49-96-7635	Spanner Wrench	1
16	44-90-0410	Locking Ring	1
17	43-06-0200	Disc	1
18	02-04-0550	Ball Bearing	1
19	44-90-0415	Seal Ring	1
20	43-06-0210	Grease Retaining Disc	1
21	28-53-0290	Spindle Hub Assembly	1
22	49-15-0315	Side Handle	1
23	05-88-9601	Screw	1
24	31-15-0560	Brush Cover	1
25	05-81-0930	Screw	1
26	10-20-1565	Decal	2
27	05-55-0115	Nut	1
28	45-88-1500	Spring Washer	1
29	06-82-6099	Field Screw Torx 15 Plastite	2
30	45-88-1505	Spring Washer	2
31	18-70-0520	230V Field	1
32	22-84-0370	Fan	1
33	16-70-0520	230V Armature	1

FIG.	PART NO.	DESCRIPTION OF PART	NO. REQ.
34	02-04-1805	Ball Bearing	1
35	44-90-0420	Seal Ring	1
36	31-50-1510	Motor Housing	1
37	22-16-0405	Carbon Brush	1
38	22-20-0930	Brushholder	1
39	23-94-0130	Wire (Yellow)	1
40	23-94-0130	Wire (Yellow)	1
41	12-25-6099	Nameplate	1
42	23-66-2565	Switch	1
43	23-52-0010	Spring	1
44	22-33-0080	Capacitor	1
45	44-90-0425	Seal Ring	1
46	44-34-0200	Switch Mounting	1
47	23-94-0125	Wire (Black)	2
48	22-20-0930	Brushholder	1
49	05-81-0995	Slot Hd Machine Screw	2
50	42-76-0730	Cable Collar	1
51	06-81-9545	#2 Phillips Plastite Screw	1
52	44-76-0305	Cord Strain Relief	1
53	23-38-5230	Resistor	1
54	05-88-9601	Screw	1
55	31-15-0560	Brush Cover	1
56	22-16-0405	Carbon Brush	1
57	05-81-0930	Screw	1
58	45-22-0590	Rubber Sleeve	1
59	31-05-0235	Air Deflector Ring	1
60	05-81-0425	Screw	2
61	05-88-9601	Screw	5
62	31-44-2125	Switch Handle Set (Includes No. 66)	1
63	22-64-1125	Cord Set	1
64	45-60-0620	Support	1
65	05-81-0425	Screw	2
66	31-44-2125	Switch Handle Set (Includes No. 62)	1
67	49-62-0155	Dust Screen	2
68	42-68-0700	Clamping Piece	1
69	05-81-1000	#2 Phillips Machine Screw	1
70		Pinion Gear (Included with No. 21)	1

MILWAUKEE ELECTRIC TOOL CORPORATION
13135 W. LISBON RD., BROOKFIELD, WI 53005