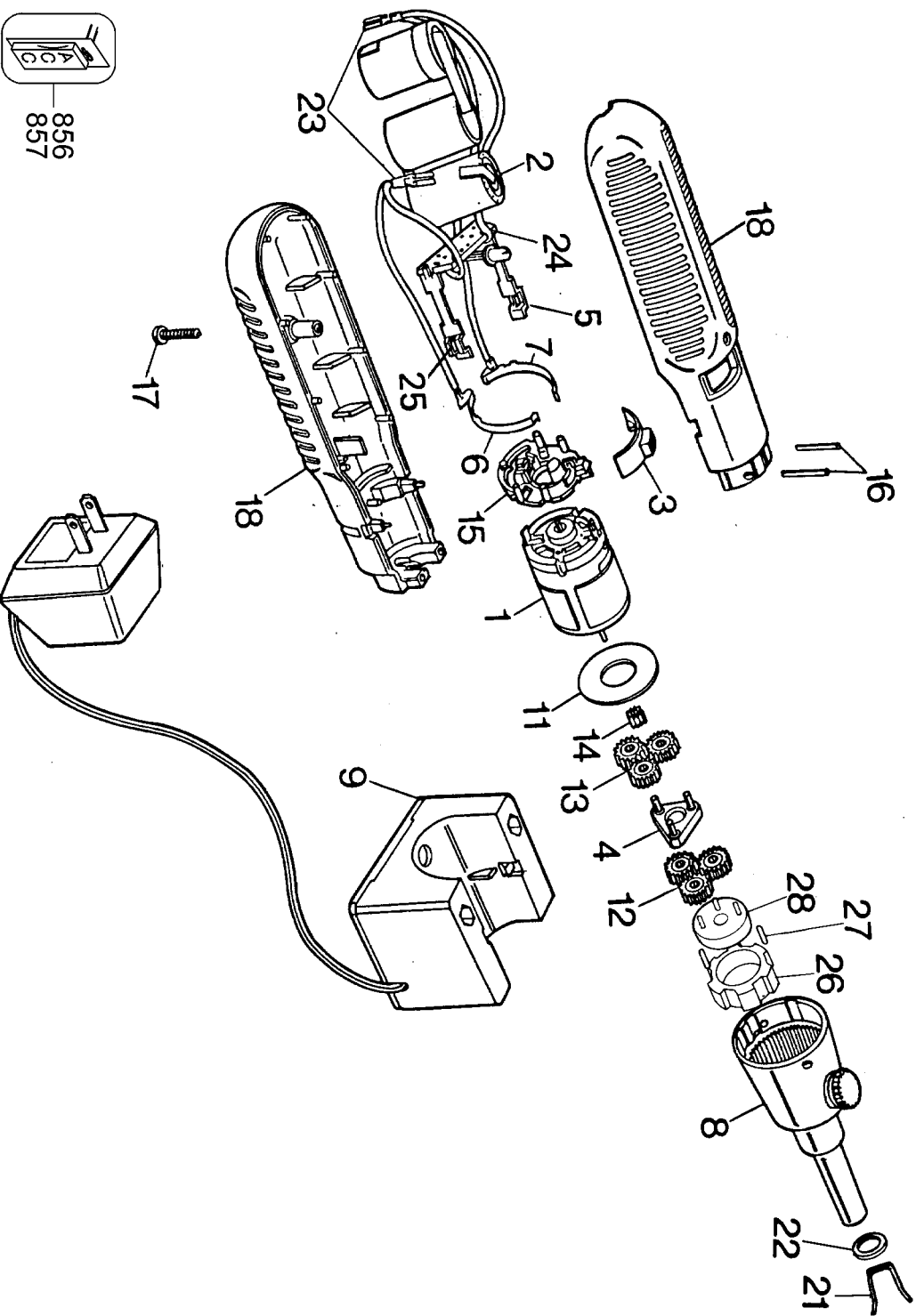


856
857



Parts List for 6090 Type 2

Item Number	Part Number	Description	Qty Required
1	144233-02	MOTOR,D.C.	1
2	151477-00	BATTERY	1
3	000000-00	No Longer Available	1
4	150155-00	CARRIER,INTERM.	1
5	000000-00	No Longer Available	1
6	000000-00	No Longer Available	1
7	000000-00	No Longer Available	1
8	000000-00	No Longer Available	1
9	000000-00	No Longer Available	1
11	000000-00	No Longer Available	1
12	000000-00	No Longer Available	1
13	000000-00	No Longer Available	3
14	143139-00	PINION,MOTOR	1
15	000000-00	No Longer Available	1
16	140656-00	PIN,ROLL	2
17	798659-00	SCREW	1
18	000000-00	No Longer Available	1
21	000000-00	No Longer Available	1
22	000000-00	No Longer Available	1
23	51350-08	TERMINAL	2
24	000000-00	No Longer Available	1
25	000000-00	No Longer Available	2
26	000000-00	No Longer Available	1
27	91286-00	PIN	6
28	147139-00	CARRIER,OUTPUT	1
856	607918-41	SCREWDRIVER BIT	1
857	000000-00	No Longer Available	1