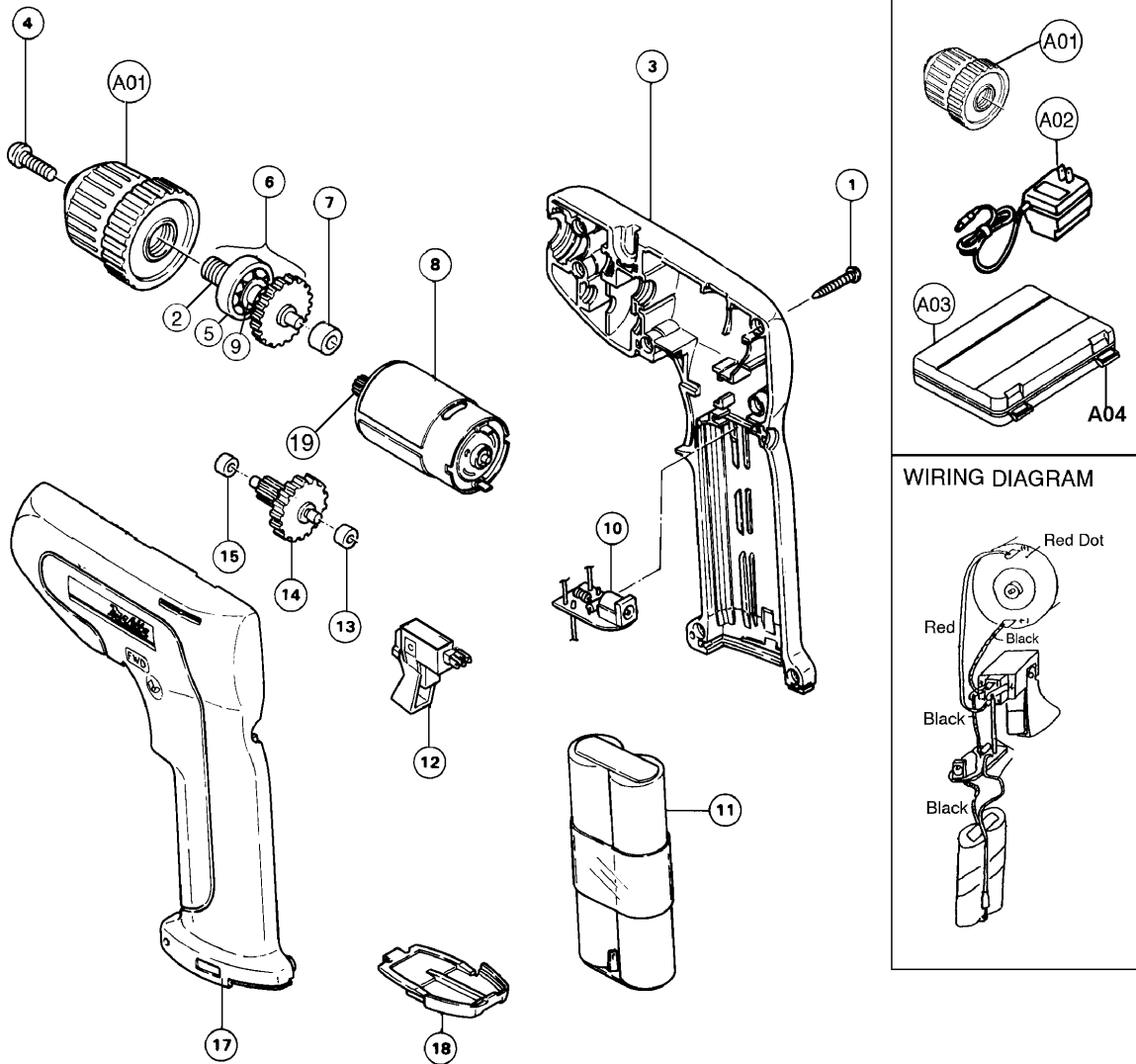




7.2V - 3/8" DRILL
(Single Speed, Electric Brake)

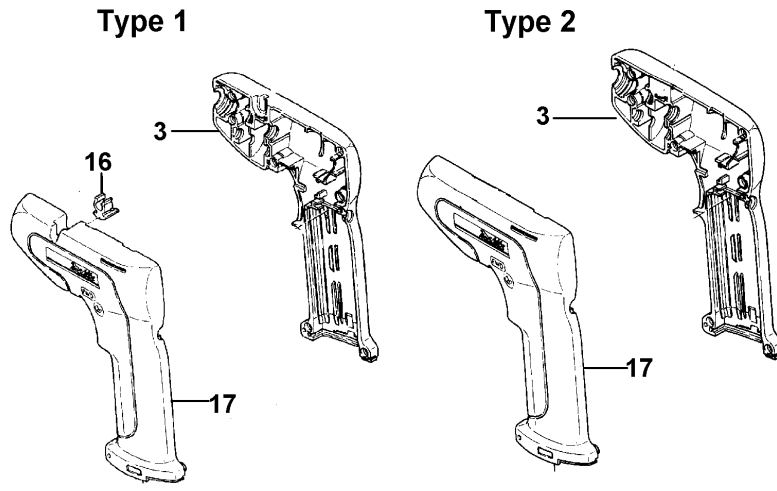
Model 6076DW(MCP)
Model 6076DWK(MCP)



Item No.	Part No.	No. Used	Description	Item No.	Part No.	No. Used	Description
1	265837-4	7	Tapping Screw M3x20	15	214016-1	1	Plane Bearing 3
2	321784-0	1	Spindle	16	*	1	Holder 6
3	*	1	Housing (R)	17	*	1	Housing (L)
4	265998-0	1	C.H.S. Screw M5x21	18	415231-2	1	Cover
5	211061-7	1	Ball Bearing 6000LLB	19	221851-0	1	Spur Gear
6	153155-1	1	Gear Assy (Includes Items 2, 5, & 9)	Accessories			
7	214017-9	1	Plane Bearing 5	A01	192016-0	1	3/8" Keyless Drill Chuck (Type 1)
8	629652-4	1	DC Motor 7.2V (Includes Item 19)		763110-1	1	3/8" Keyless Drill Chuck - Bulk (Type 2)
9	961006-2	1	Retaining Ring		763184-2	1	3/8" Keyless Drill Chuck - Bulk (Type 3)
10	631160-3	1	Circuit Board	A02	113051-5	1	3-Hour Charger DC7020
11	678103-4	1	Battery 7.2V	A03	824417-1	1	Plastic Carrying Case (Includes Item A04)
12	651924-9	1	Switch	A04	A00187-5	2	Snap Lock (S)
13	214016-1	1	Plane Bearing 3	A05	-----	1	Bit (See Catalogue for Details)
14	226048-6	1	Gear Complete 13-58				

SERVICE CHANGES

1. Change on Housing.



Item No.	Description	Type 1		Type 2
3	Housing (R)	415232-A	182949-7 (Set)	183292-7 (Set)
17	Housing (L)	415232-B		
16	Holder 6	411640-3		-----

Above parts are completely interchangeable as a set.