



# SERVICE PARTS LIST

**BULLETIN NO.**  
**54-38-0051**

SPECIFY CATALOG NO. AND SERIAL NO. WHEN ORDERING PARTS		REVISED BULLETIN 54-38-0050	DATE May '97
<b>D. I. 6000 RPM DIAL SPEED GRINDER</b>		WIRING INSTRUCTION <b>58-01-0225</b>	
CATALOG NO.	<b>6076</b>	SERIAL NUMBER	<b>861B</b>

00  
0

**EXAMPLE:**  
Component Parts (Small #) Are Included  
When Ordering The Assembly (Large #).

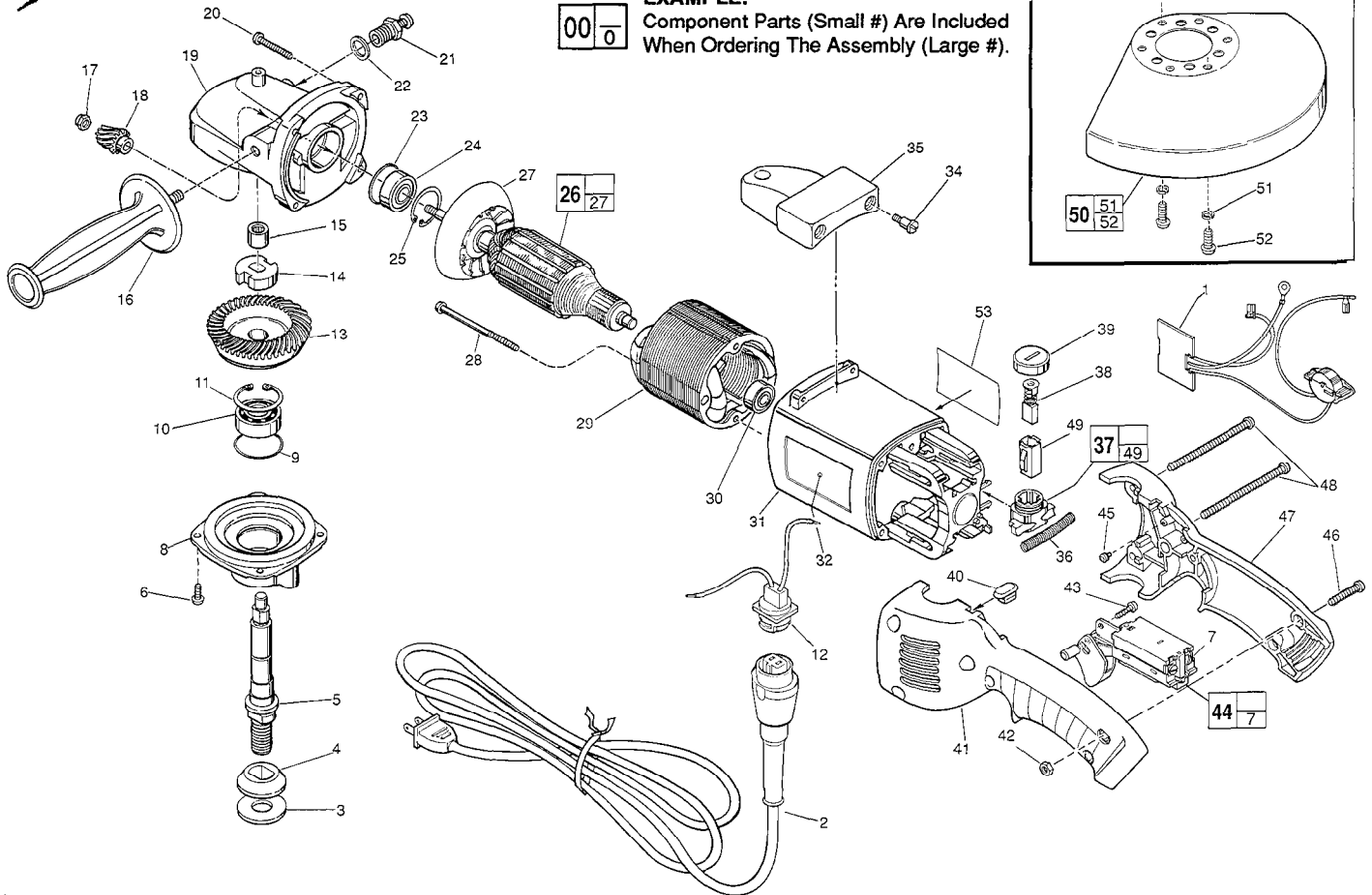


FIG.	PART NO.	DESCRIPTION OF PART	NO REQ.	FIG.	PART NO.	DESCRIPTION OF PART	NO REQ.
	1	14-20-0570 Dial Module Assembly	(1)	★ 31	31-50-0548	Motor Housing	(1)
	2	48-76-5010 Quik-Lok Cord Set	(1)	★ 32	12-20-6110	Service Nameplate Kit	(1)
	3	45-88-8465 Spindle Washer	(1)	34	45-04-0720	Shoulder Screw	(3)
	4	49-05-0060 Spindle Washer - Flange	(1)	35	31-70-0140	Tool Rest	(1)
	5	38-50-5645 Spindle Shaft	(1)	36	40-50-7770	Brush Holder Spring	(2)
	6	06-82-8864 10-24 x 1/2" Pan Hd. Sems T-25 Screw	(4)	37	22-22-1325	Brush Holder Assembly	(2)
★	7	05-78-0305 Terminal Screw	(4)	38	22-18-0680	Brush Assembly	(2)
	8	28-14-1900 Lower Gear Case	(1)	39	23-44-0210	Brush Retaining Screw	(2)
	9	34-40-1610 1-9/16" O-Ring	(1)	40	42-38-0190	Bumper	(1)
★	10	02-04-1745 Ball Bearing	(1)	41	31-44-1771	Left Handle Half	(1)
	11	34-80-2960 Retaining Ring - Internal	(1)	42	06-55-1050	10-24 Hex Nut	(5)
	12	22-56-0680 Blade Housing Assembly	(1)	43	06-82-7409	8-16 x 1/2" Slot. Pan Hd. T-20 Screw	(1)
	13	32-05-2191 Spiral Bevel Gear	(1)	44	23-66-1940	Switch	(1)
	14	42-74-0080 Spindle Locking Cog	(1)	45	42-38-0181	Rubber Bumper	(2)
	15	02-50-2423 Needle Bearing	(1)	46	06-82-2568	10-24 x 7/8" Slot. Pan Hd. T-25 Screw	(3)
	16	43-62-0880 Side Handle	(1)	47	31-44-1776	Right Handle Half	(1)
★	17	06-55-3860 1/4 - 28 Hex Nut	(1)	48	06-82-2598	10-24 x 2-3/4" Slot. Pan Hd. T-25 Screw	(2)
	18	32-60-1286 Spiral Bevel Pinion	(1)	49	22-20-0660	Brush Tube	(2)
	19	28-14-2090 Upper Gear Case	(1)	50	49-12-0350	7" Wheel Guard Assembly	(1)
	20	06-82-7224 10-14 x 1" Pan Hd. Plastite T-25 Screw	(4)	51	06-97-4000	1/4" Split Ring Lockwasher	(2)
	21	44-20-0235 Spindle Lock Assembly	(1)	52	06-95-5630	1/4-20 x 1/2" Special Screw	(2)
	22	45-88-5320 Flat Washer	(1)	★ 53	10-98-1800	Warning Label	(1)
	23	34-40-1375 1-1/4" O-Ring	(1)				
	24	02-04-1229 Ball Bearing	(1)				
	25	34-80-2600 Retaining Ring - Internal	(1)				
★	26	16-50-1185 120 V. Armature	(1)				
	27	22-84-0710 Fan	(1)				
	28	06-82-7375 8-16 x 2-1/2" Pan Hd. Plastite T-20 Screw	(2)				
	29	18-50-0170 120 V. Field	(1)				
	30	02-04-0845 Ball Bearing	(1)				

**FIG. NOTES:**

14,17 Apply Type 277 Red Loctite.

**FIG. LUBRICATION:**

19 1.5 Oz. Type "G" Grease, Cat. No. 49-08-4140.

**MILWAUKEE ELECTRIC TOOL CORPORATION**  
13135 W. LISBON RD., BROOKFIELD, WI 53005