



# SERVICE PARTS LIST

**BULLETIN NO.**  
54-38-0281

SPECIFY CATALOG NO. AND SERIAL NO. WHEN ORDERING PARTS		REVISED BULLETIN 54-38-0280	DATE Sept. '87
<b>9" SANDER</b>			
<b>CATALOG NO. 6072</b>	STARTING SERIAL NO. 703-23000	<b>WIRING INSTRUCTION 58-01-0301</b>	

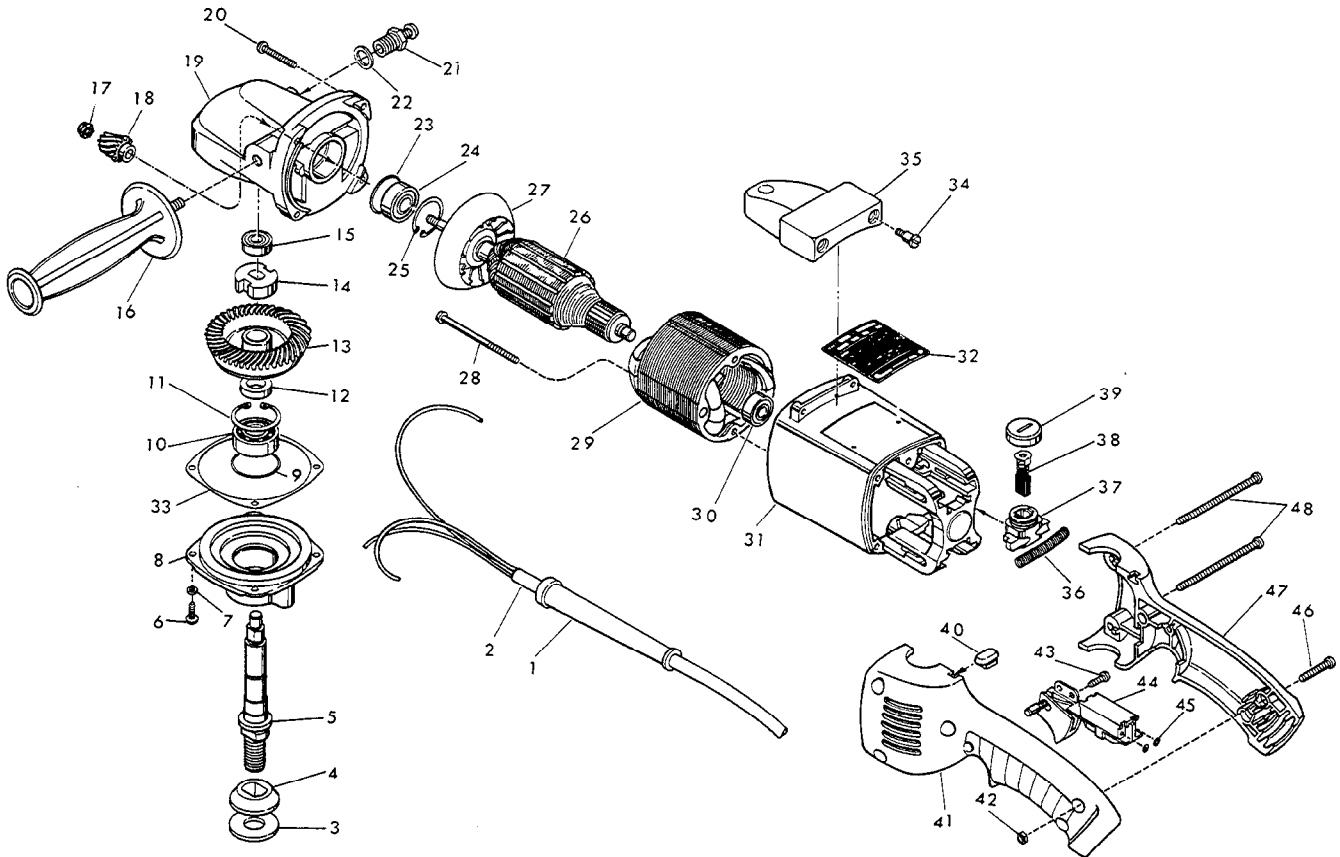


FIG.	PART NO.	DESCRIPTION OF PART	NO. REQ.
	1	44-76-0050 Cord Protector	(1)
	2	22-64-0121 Cord Set	(1)
	3	45-88-0160 Spindle Washer - Rubber	(1)
	4	49-05-0060 Spindle Washer - Flange	(1)
★	5	38-50-5640 Spindle Shaft	(1)
★	6	06-82-5566 10-24 x 1/2" Pan Hd. Taptite Torx Screw	(4)
★	7	06-97-3500 #10 Split Ring Lock Washer	(4)
★	8	28-14-1900 Lower Gear Case	(1)
★	9	34-40-1610 1-9/16" O-Ring	(1)
	10	02-04-1746 Ball Bearing	(1)
	11	34-80-2960 Retaining Ring - Internal	(1)
★	12	45-36-1250 Spacer	(1)
★	13	32-05-1290 Spiral Bevel Gear	(1)
	14	42-74-0080 Spindle Locking Cog	(1)
	15	02-04-0820 Ball Bearing	(1)
★	16	43-62-0880 Side Handle	(1)
★	17	06-57-5006 1/4 - 28 Hex Lock Nut	(1)
★	18	32-60-2200 Spiral Bevel Pinion	(1)
★	19	28-14-1890 Upper Gear Case	(1)
★	20	06-82-7224 10-14 x 1" Pan Hd. Plastite Torx Screw	(4)
★	21	44-20-0235 Spindle Lock Assembly	(1)
	22	45-88-5320 Flat Washer	(1)
★	23	34-40-1375 1-1/4" O-Ring	(1)
★	24	02-04-1231 Ball Bearing	(1)
★	25	34-80-2600 Retaining Ring - Internal	(1)
★	26	16-50-0180 120V. Armature (Includes Fig. No. 27)	(1)
	27	22-84-0710 Fan	(1)
★	28	06-82-7375 8-16 x 2-1/2" Pan Hd. Plastite Torx Screw	(2)
	29	18-50-0170 120V. Field	(1)
	30	02-04-0845 Ball Bearing	(1)

FIG.	PART NO.	DESCRIPTION OF PART	NO. REQ.
★	31	31-50-0540 Motor Housing	(1)
	32	12-99-0126 Nameplate - Service	(1)
	33	45-14-0185 Shim .005 Thick (If Required)	(1)
	34	45-04-0570 Shoulder Screw	(3)
	35	31-70-0140 Tool Rest	(1)
	36	40-50-7770 Brush Holder Spring	(2)
★	37	22-22-1325 Brush Holder Assy. (Incl. 22-20-0660 Brush Tube)	(2)
	38	22-18-0680 Brush Assembly	(2)
	39	23-44-0210 Brush Retaining Screw	(2)
	40	42-38-0190 Bumper	(1)
	41	31-44-1115 Left Handle Half	(1)
	42	06-55-1050 10-24 Hex Nut	(5)
	43	06-82-7409 8-16 x 1/2" Slot Fan Hd. Torx Screw	(1)
	44	23-66-0255 Switch	(1)
	45	06-97-1700 # 5 Int. Tooth Lock Washer	(1)
★	46	06-82-2568 10-24 x 7/8" Slot Pan Hd. Torx Screw	(3)
	47	31-44-1110 Right Handle Half	(1)
★	48	06-82-2598 10-24 x 2-3/4" Slot Pan Hd. Torx Screw	(2)

### NOTES

FIG. 17 Apply Type 277 Red Loctite

### LUBRICATION:

Use 1-1/2 Oz. Type "G" Grease