



# SERVICE PARTS LIST

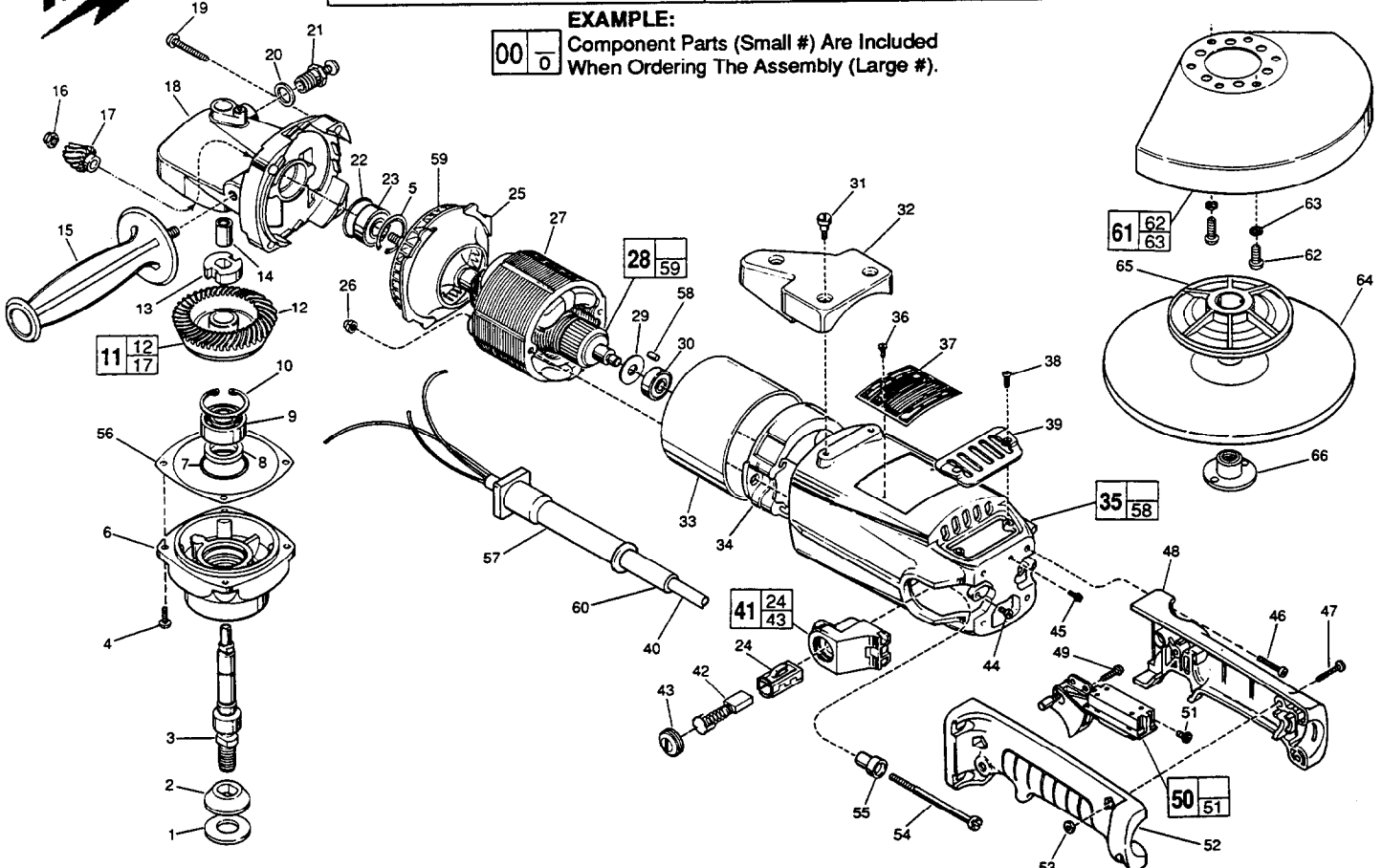
**BULLETIN NO.**  
**55-38-0383**

|  |                              |                    |          |
|--|------------------------------|--------------------|----------|
| SPECIFY CATALOG NO. AND SERIAL NO. WHEN ORDERING PARTS |                              | REVISED BULLETIN   | DATE     |
| 9" SANDER - 6000 R.P.M.                                |                              | 55-38-0382         | Sept.'94 |
| CATALOG NO. 6066-2                                     | STARTING SERIAL NO. 753-1212 | WIRING INSTRUCTION |          |
|  |                              | 58-01-0307         |          |

**EXAMPLE:**  

|    |   |
|----|---|
| 00 | 0 |
|----|---|

 Component Parts (Small #) Are Included When Ordering The Assembly (Large #).



| FIG. | PART NO. | DESCRIPTION OF PART                                  | NO. REQ. |
|------|----------|--|----------|
|      | 1        | 45-88-0160 Spindle Washer - Rubber                   | (1)      |
|      | 2        | 49-05-0060 Washer Flange                             | (1)      |
|      | 3        | 38-50-5560 Spindle Shaft                             | (1)      |
|      | 4        | 06-82-8864 10-24 x 1/2" Pan Hd. T-25 Sems Screw      | (4)      |
|      | 5        | 34-80-2600 Internal Retaining Ring                   | (1)      |
|      | 6        | 28-14-1735 Lower Gear Case                           | (1)      |
|      | 7        | 34-40-1610 O-Ring                                    | (1)      |
|      | 8        | 45-06-0330 Felt Seal                                 | (1)      |
|      | 9        | 02-04-1746 Ball Bearing                              | (1)      |
|      | 10       | 34-80-2960 Retaining Ring - Internal                 | (1)      |
|      | 11       | 14-46-4300 Bevel Gear Kit                            | (1)      |
|      | 12       | 32-05-2201 Spiral Bevel Gear                         | (1)      |
|      | 13       | 42-74-0080 Spindle Locking Cog                       | (1)      |
|      | 14       | 02-50-2428 Needle Bearing                            | (1)      |
|      | 15       | 43-62-0880 Side Handle                               | (1)      |
|      | 16       | 06-57-5006 1/4 - 28 Locking Hex Nut                  | (1)      |
|      | 17       | 32-60-1291 Spiral Bevel Pinion                       | (1)      |
|      | 18       | 28-14-2035 Upper Gear Case                           | (1)      |
|      | 19       | 06-82-5716 1/4-20 x 1-1/4" Pan Hd. T-30 Taptite Scr. | (4)      |
|      | 20       | 45-88-5320 Flat Washer                               | (1)      |
|      | 21       | 44-20-0235 Spindle Lock Assembly                     | (1)      |
|      | 22       | 34-40-1375 O-Ring                                    | (1)      |
|      | 23       | 02-04-1229 Ball Bearing                              | (1)      |
|      | 24       | 22-20-0360 Brush Tube                                | (2)      |
|      | 25       | 42-14-0300 Baffle                                    | (1)      |
|      | 26       | 06-57-3005 10-32 Locking Hex Nut                     | (2)      |
|      | 27       | 18-76-0260 240 Volt Field                            | (1)      |
|      | 28       | 16-76-0300 240 Volt Armature                         | (1)      |
|      | 29       | 45-06-0390 Dust Seal                                 | (1)      |
|      | 30       | 02-04-0911 Ball Bearing                              | (1)      |
|      | 31       | 45-04-0720 Shoulder Screw                            | (3)      |
|      | 32       | 31-70-0150 Tool Rest                                 | (1)      |
|      | 33       | 23-16-0950 Insulating Sleeve                         | (1)      |
|      | 34       | 31-55-0110 Coil Shield                               | (1)      |
|      | 35       | 28-50-6351 Motor Housing                             | (1)      |
|      | 36       | 06-85-0200 Nameplate Screw                           | (2)      |
|      | 37       | 12-99-0405 Nameplate Blank                           | (1)      |
|      | 38       | 06-95-3601 8-32 x 3/8" Oval Hd. Taptite Screw        | (2)      |
|      | 39       | 31-15-0310 Cover Plate                               | (1)      |

| FIG. | PART NO. | DESCRIPTION OF PART                                | NO. REQ. |
|------|----------|--|----------|
|      | ★ 40     | 22-64-4515 Cord Set                                | (1)      |
|      | 41       | 22-22-0401 Brush Holder Assembly                   | (2)      |
|      | 42       | 22-18-0770 Carbon Brush Assembly                   | (2)      |
|      | 43       | 23-44-0170 Brush Retaining Cap                     | (2)      |
|      | 44       | 06-82-7252 8-32 x 3/8" Pan Hd. T-20 Screw          | (2)      |
|      | 45       | 06-95-5200 8-32 x 5/16" Slot Hex Hd. Screw         | (1)      |
|      | 46       | 06-82-5574 10-24 x 7/8" Pan Hd. T-25 Taptite Screw | (4)      |
|      | 47       | 06-82-2378 10-24 x 1" Pan Hd. T-25 Screw           | (3)      |
|      | 48       | 31-44-0606 Right Handle Half                       | (1)      |
|      | 49       | 06-82-7409 8-16 x 1/2" Pan Hd. T-20 Plastite Screw | (1)      |
|      | 50       | 23-66-1800 Switch                                  | (1)      |
|      | 51       | 05-78-0305 Switch Screw T-15                       | (4)      |
|      | 52       | 31-44-0607 Left Handle Half                        | (1)      |
|      | 53       | 06-55-1050 10-24 Hex Nut                           | (3)      |
|      | 54       | 06-82-9600 10-32 x 3" Torx Hd. Screw               | (2)      |
|      | 55       | 31-86-0160 Insulating Bushing                      | (2)      |
|      | 56       | 45-14-0225 Shim - Blue .005 Thick                  | (1)      |
|      |          | 45-14-0210 Shim - Red .010 Thick                   | (1)      |
|      | 57       | 44-76-0170 Cord Protector                          | (1)      |
|      | 58       | 45-30-0070 Ball Bearing Retaining Slug             | (1)      |
|      | 59       | 22-84-0800 Fan                                     | (1)      |
|      | ★ 60     | 44-76-0250 Cord Protector                          | (1)      |
|      | ★ 61     | 49-12-0345 9" Wheel Guard Kit                      | (1)      |
|      | ★ 62     | 06-95-5630 1/4-20 x 1/2" Screw                     | (2)      |
|      | ★ 63     | 06-97-4000 1/4" Lockwasher                         | (2)      |
|      | ★ 64     | 49-94-3232 9" 24 Grit Wheel                        | (1)      |
|      | ★ 65     | 48-03-1000 Hub Adaptor                             | (1)      |
|      | ★ 66     | 49-40-0380 Wheel Nut                               | (1)      |
|      | ★        | 49-96-7201 Spanner Wrench                          | (1)      |

**FIG. NOTES**  
 13 Dimple Side To Fig. 12.  
 56 As Required (Max. .015").  
**FIG. LUBRICATION**  
 18 2 Oz. Type "G" Grease, No. 49-08-4140.

**MILWAUKEE ELECTRIC TOOL CORPORATION**  
 13135 W. LISBON RD., BROOKFIELD, WI 53005