



SERVICE PARTS LIST

BULLETIN NO.
54-38-0181

SPECIFY CATALOG NO. AND SERIAL NO. WHEN ORDERING PARTS		REVISED BULLETIN 54-38-0180	DATE April '83
9" SANDER/GRINDER			
CATALOG NO. 6064	STARTING SERIAL NO. 653-4001		WIRING INSTRUCTION 58-01-0307
CAT. NO.	START SER. NO.	BILINGUAL LABEL	

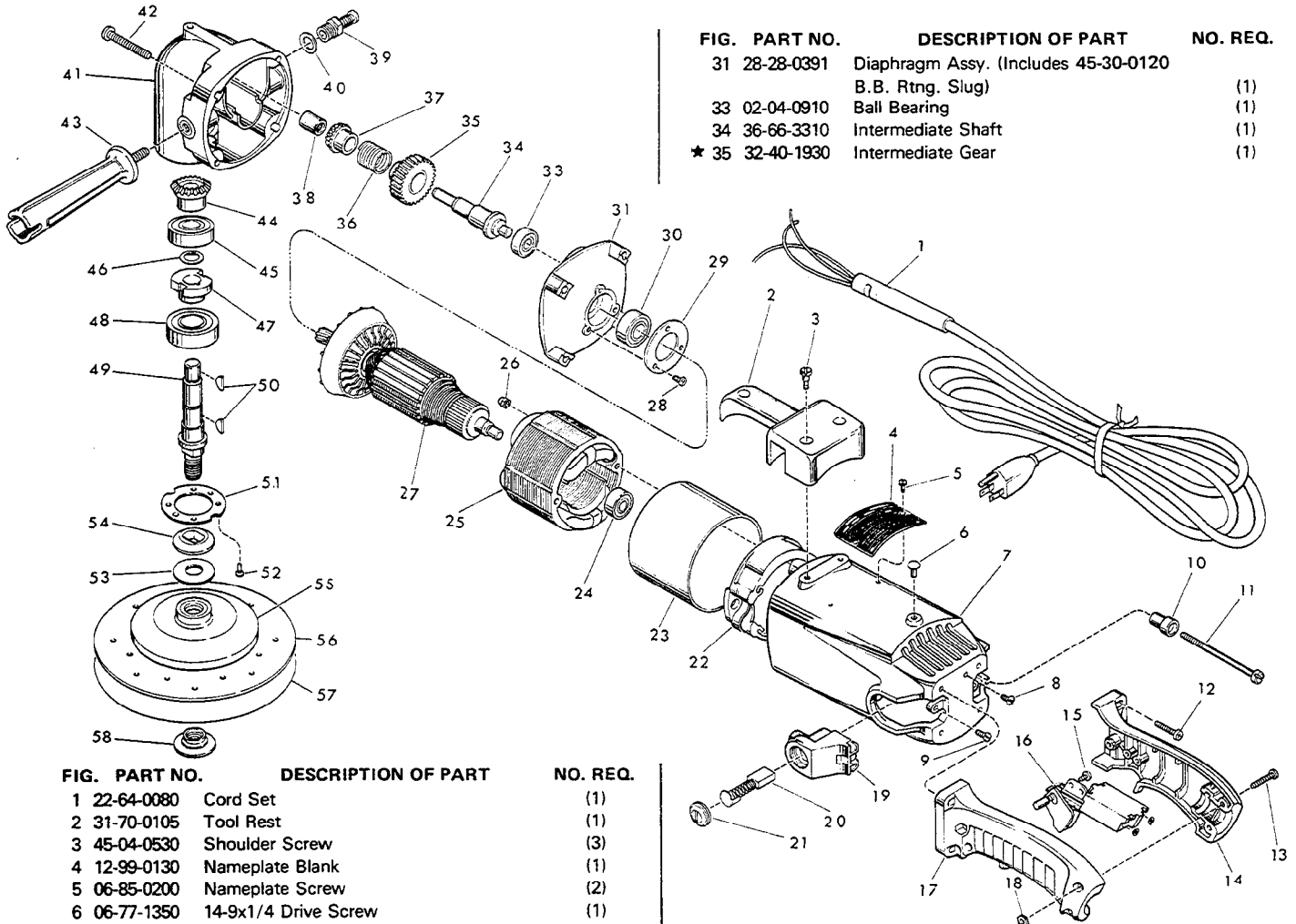


FIG.	PART NO.	DESCRIPTION OF PART	NO. REQ.
	31	28-28-0391 Diaphragm Assy. (Includes 45-30-0120 B.B. Rtnng. Slug)	(1)
	33	02-04-0910 Ball Bearing	(1)
	34	36-66-3310 Intermediate Shaft	(1)
★	35	32-40-1930 Intermediate Gear	(1)

FIG.	PART NO.	DESCRIPTION OF PART	NO. REQ.
	1	22-64-0080 Cord Set	(1)
	2	31-70-0105 Tool Rest	(1)
	3	45-04-0530 Shoulder Screw	(3)
	4	12-99-0130 Nameplate Blank	(1)
	5	06-85-0200 Nameplate Screw	(2)
	6	06-77-1350 14-9x1/4 Drive Screw	(1)
	7	28-50-5175 Motor Housing Assy. (Includes 45-30-0120 B.B. Rtnng. Slug)	(1)
★	8	06-81-8820 Ground Screw	(1)
	9	06-95-0209 8-32x 3/8 Pan Hd. Taptite Screw	(2)
	10	31-86-0160 Insulating Bushing	(2)
	11	06-81-1190 Field Screw	(2)
	12	06-95-0345 10-24x7/8 Pan Hd. Taptite Screw	(4)
	13	06-81-4207 10-24x7/8 Phil. Pan. Hd. Screw	(3)
	14	31-44-0580 Right Handle Half	(1)
	15	06-95-0215 8-18x1/2 Pan Hd. Thread Form Screw	(1)
	16	23-66-0255 Switch (Use (4) 06-97-1800 Lockwashers)	(1)
	17	31-44-0590 Left Handle Half	(1)
	18	06-55-1000 10-24 Hex Nut	(3)
★	19	22-22-0400 Brush Holder Assy. (Includes 22-20-0360 Brush Tube)	(2)
	20	22-18-0145 Carbon Brush Assembly	(2)
	21	23-44-0140 Brush Retaining Screw	(2)
	22	31-55-0110 Coil Shield	(1)
	23	23-16-0950 Insulating Sleeve	(1)
	24	02-04-0911 Ball Bearing	(1)
	25	18-70-0025 120 Volt Field	(1)
	26	06-57-3005 10-32 Locking Hex Nut	(2)
★	27	16-70-0215 120 Volt Armature (W/34-60-1315 Rtnng. Ring)	(1)
	28	06-95-0209 8-32x 3/8 Taptite Screw	(3)
	29	44-86-0320 Ball Bearing Retainer	(1)
	30	02-04-1516 Ball Bearing	(1)

36	40-50-3200	Clutch Spring	(1)
37	32-05-1120	Bevel Gear	(1)
38	02-50-2441	Needle Bearing	(1)
39	44-20-0060	Spindle Lock Assembly	(1)
40	45-88-5320	Flat Washer	(1)
41	28-14-0615	Gear Case Assembly	(1)
42	06-95-0372	1/4-20x1-3/4 Taptite Screw	(4)
43	43-62-0760	Side Handle Assembly	(1)
44	32-05-1130	Bevel Gear	(1)
45	02-04-1746	Ball Bearing	(1)
46	34-60-1290	Retaining Ring	(1)
47	42-74-0070	Spindle Locking Cog	(1)
48	02-04-2031	Ball Bearing	(1)
49	38-50-5205	Spindle Shaft	(1)
50	06-42-1600	Woodruff Key	(2)
51	45-88-0220	Spindle Retaining Washer	(2)
52	06-95-3226	8-32x3/8 Fil. Hd. Taptite Screw	(3)
53	45-88-0160	Spindle Rubber Washer	(1)
54	49-05-0060	Rubber Washer Flange	(1)
55	49-36-3500	Rubber Backing Pad	(1)
56	48-80-6050	9" Phenolic Disc	(1)
57	—	9" Abrasive Disc (Select from Catalog)	(1)
58	49-40-0350	Disc Nut	(1)

MILWAUKEE ELECTRIC TOOL CORPORATION
13135 W. LISBON RD., BROOKFIELD, WIS. 53005