



SERVICE PARTS LIST

BUL. 54-38-3112

9" DISC SANDER

REVISED BUL.
54-38-3111

DATE
Nov. '76

Catalog No. 6060

Starting
Serial No. **48-210634**

WIRING INSTRUCTIONS
58-01-0305

Specify Catalog and Serial No. when ordering parts

5000 R.P.M.

FOR CAT. NO. 6060-2 (240V) TOOL USE:

16-86-1580 ARMATURE
18-86-1074 FIELD
22-64-4000 CORD SET

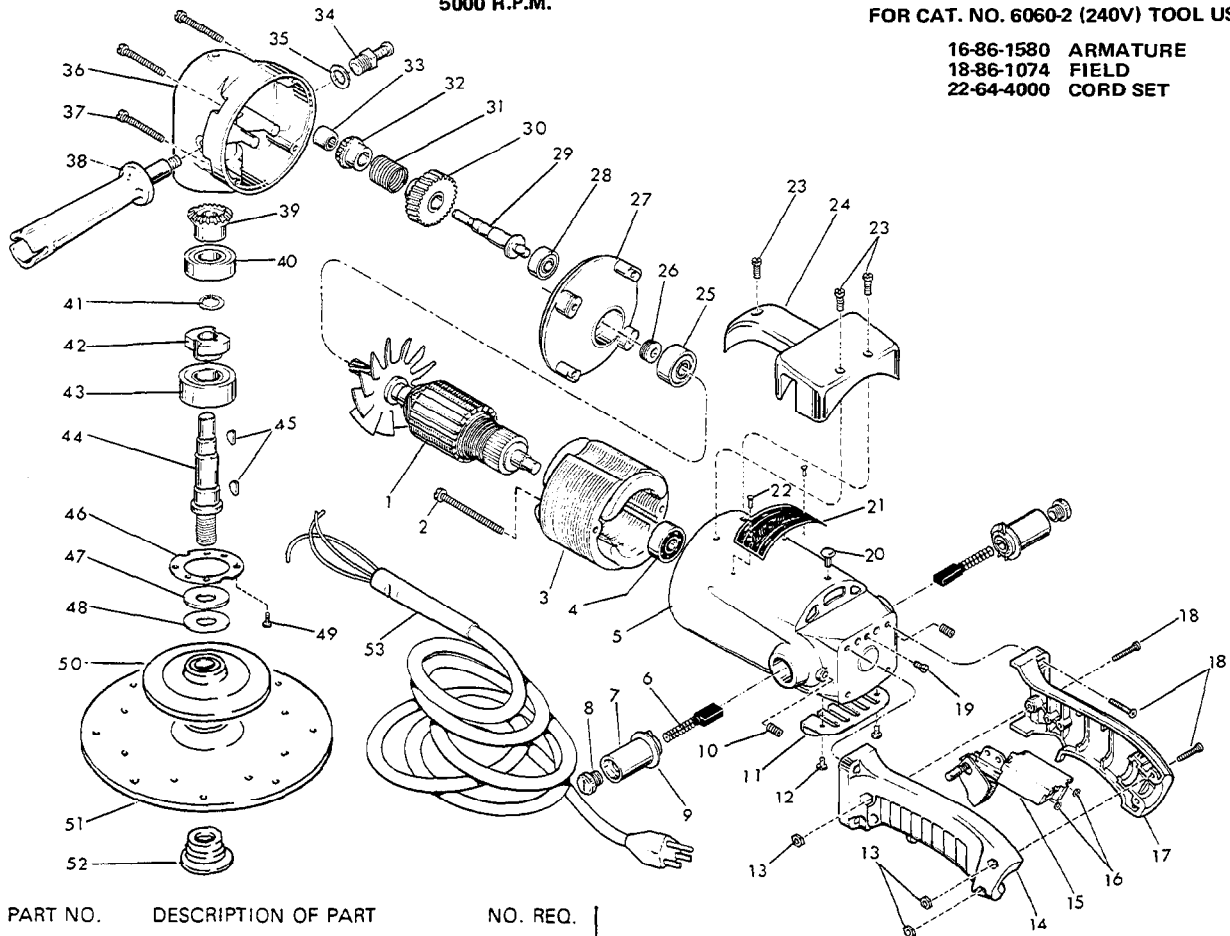


FIG.	PART NO.	DESCRIPTION OF PART	NO. REQ.	FIG.	PART NO.	DESCRIPTION OF PART	NO. REQ.
	1	16-82-1711 115 Volt Armature	(1)		30	32-40-1481 Intermediate Gear	(1)
	2	06-81-9225 10-24x2-3/4 Rd. Hd. Sem	(2)		31	40-50-3200 Drive Spring	(1)
	3	18-82-1180 115 Volt Field	(1)		32	32-50-1261 Miter Gear	(1)
	4	02-04-1070 Ball Bearing	(1)		33	02-50-2130 Needle Bearing	(1)
★	5	28-50-5150 Motor Housing	(1)		34	44-20-0060 Spindle Lock Assembly	(1)
	6	22-18-0125 Carbon Brush	(2)		35	45-88-5320 Flat Washer	(1)
	7	22-22-0106 Brush Holder	(2)		36	28-14-0610 Gear Case	(1)
	8	23-44-0035 Brush Retaining Screw	(2)		37	06-81-7300 10-24x1-3/4 Fil. Hd. Sem	(4)
	9	23-86-0060 Insulating Washer	(2)		38	43-62-0570 Side Handle	(1)
★	10	06-83-2000 10-24x1/4 Set Screw	(2)		39	32-50-1241 Miter Gear	(1)
★	11	44-66-0105 Vent Cover Plate	(1)		40	02-04-1710 Ball Bearing	(1)
	12	06-81-8650 6-32x1/4 Rd. Hd. Sem	(2)		41	34-60-1290 Retaining Ring	(1)
★	13	06-55-1000 10-24 Hex Nut	(3)		42	42-74-0065 Spindle Lock Cog	(1)
★	14	31-44-0430 Handle Half Left	(1)		43	02-04-2065 Ball Bearing	(1)
★	15	23-66-0255 Switch (20 Amp)	(1)		44	38-50-1751 Spindle	(1)
	16	06-97-1800 Lockwasher	(4)		45	06-42-1600 Woodruff Key	(2)
★	17	31-44-0420 Handle Half Right	(1)		46	45-88-0220 Spindle Retaining Washer	(1)
★	18	06-81-4207 10-24x7/8 Phillips Pan Hd. Screw	(7)		47	45-88-0141 Hub Thrust Washer	(1)
★	19	06-81-9125 10-24x1/4 Ground Screw	(1)		48	45-88-0160 Spindle Rubber Washer	(1)
	20	06-77-1400 14x5/16 Driv-In Screw	(1)		49	06-81-6050 8-32x5/16 Fil. Hd. Sem	(6)
	21	12-99-0034 Nameplate Blank	(1)		50	49-36-3500 Rubber Backing Pad	(1)
	22	06-85-0200 Nameplate Screw	(2)		51	48-80-6050 9" Phenolic Disc	(1)
	23	06-81-6950 10-24x1/2 Fil. Hd. Sem	(3)		52	49-40-0350 Disc Nut	(1)
	24	31-70-0100 Tool Rest	(1)		53	22-64-0080 Cord Set	(1)
	25	02-04-1340 Ball Bearing	(1)		54	12-98-7065 Instruction Plate (Not Shown)	(1)
	26	45-28-0080 Grease Slinger	(1)		55	12-98-7081 Caution Plate (Not Shown)	(1)
	27	28-28-0381 Diaphragm	(1)				
	28	02-04-0910 Ball Bearing	(1)				
	29	36-66-3301 Intermediate Shaft	(1)				

MILWAUKEE ELECTRIC TOOL CORP.

13135 West Lisbon Road • Brookfield, Wisconsin 53005