



# SERVICE PARTS LIST

**BUL. 54-38-3111**

## 9" DISC SANDER

REVISED BUL.  
54-38-3110

DATE  
Dec. '74

**Catalog No. 6060**

Starting  
Serial No. **48-148969**

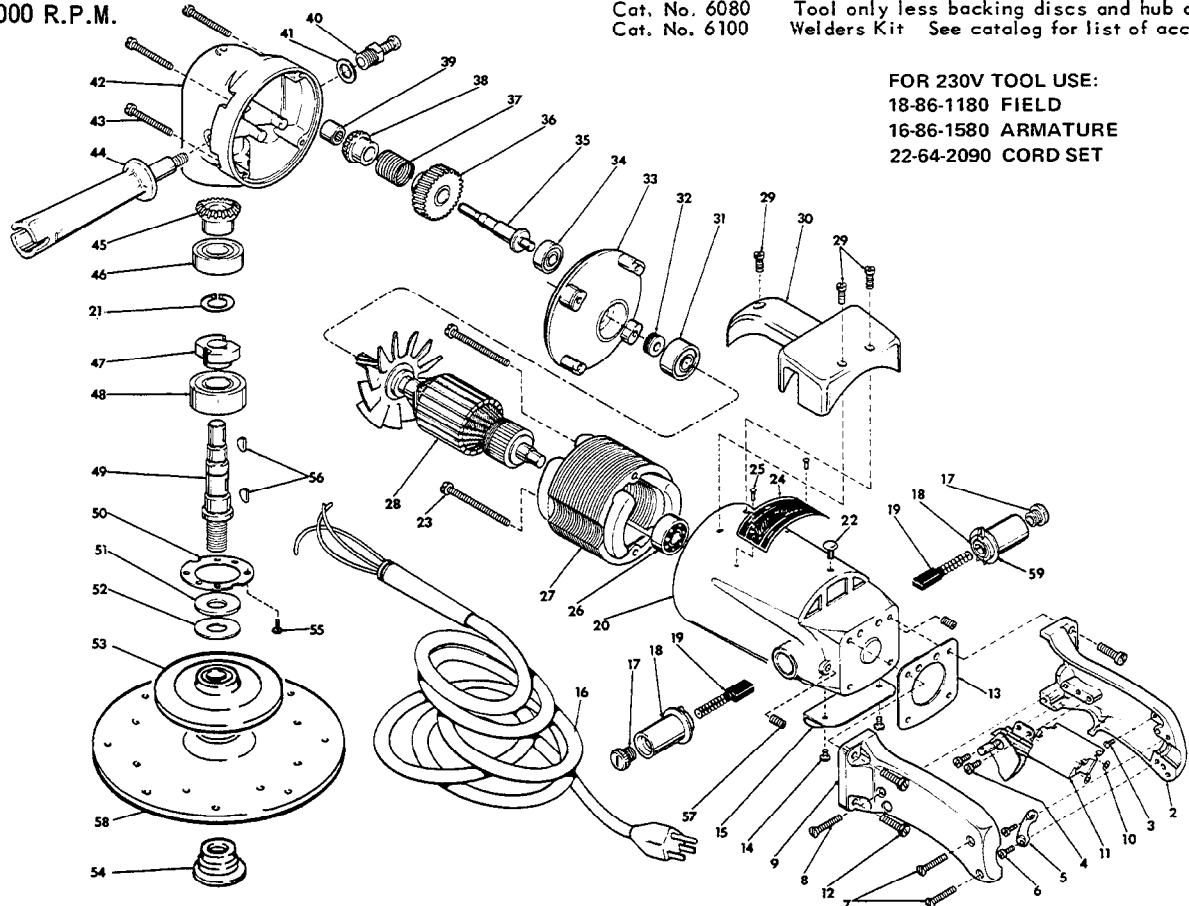
WIRING INSTRUCTIONS  
**58-01-0310**

Specify Catalog and Serial No. when ordering parts

5000 R.P.M.

Cat. No. 6080  
Cat. No. 6100

Tool only less backing discs and hub assembly.  
Welders Kit See catalog for list of accessories.



FOR 230V TOOL USE:  
18-86-1180 FIELD  
16-86-1580 ARMATURE  
22-64-2090 CORD SET

FIG.	PART NO.	DESCRIPTION OF PART	NO. REQ.	FIG.	PART NO.	DESCRIPTION OF PART	NO. REQ.
1	28-44-1042	Switch Handle Assembly (Includes Fig. Nos. 2, 7, 8 and 9)	(1)	30	31-70-0100	Tool Rest	(1)
2	—	Handle (Switch Mount Side)	(1)	31	02-04-1340	Ball Bearing	(1)
3	06-81-8625	6-32x1/4 Ground Screw	(1)	32	45-28-0080	Grease Slinger	(1)
4	06-81-5400	8-32x5/16 Binder Sem	(2)	33	28-28-0381	Diaphragm	(1)
5	28-17-0200	Clamp Strap	(1)	34	02-04-0910	Ball Bearing	(1)
6	06-81-6150	8-32x1/2 Fil. Hd. Sem	(2)	35	36-66-3301	Intermediate Shaft	(1)
7	06-81-3700	8-32x7/8 Oval Hd. Screw	(2)	36	32-40-1481	Intermediate Gear	(1)
8	06-81-3750	8-32x1 Oval Hd. Screw	(1)	37	40-50-3200	Clutch Spring	(1)
9	—	Handle (Switch Cover Side)	(1)	38	32-50-1261	Miter Gear (Sold w/fig. 45 as a set)	(1)
10	06-97-1800	Lockwasher	(4)	39	02-50-2130	Needle Bearing	(1)
11	23-66-0250	Switch	(1)	40	44-20-0060	Spindle Lock Assembly	(1)
12	06-81-7620	12-28x3/4 Fil. Hd. Sem	(4)	41	45-88-5320	Flat Washer	(1)
13	43-86-0050	Handle Insulator	(1)	42	28-14-0610	Gear Case	(1)
14	06-81-8650	6-32x1/4 Rd. Hd. Sem	(2)	43	06-81-7300	10-24x1-3/4 Fil. Hd. Sem	(4)
15	44-66-0100	Cover Plate	(1)	★ 44	43-62-0570	Side Handle	(1)
16	22-64-0090	Cord Set	(1)	45	32-50-1241	Miter Gear (Refer to fig. 38)	(1)
★ 17	23-44-0035	Brush Retaining Screw	(2)	46	02-04-1710	Ball Bearing	(1)
★ 18	22-22-0106	Brush Holder Assy.	(2)	47	42-74-0065	Spindle Lock Cog	(1)
★ 19	22-18-0125	Carbon Brush Assembly	(2)	48	02-04-2060	Ball Bearing	(1)
20	28-50-4564	Motor Housing	(1)	49	38-50-1751	Spindle	(1)
21	34-60-1290	Retaining Ring	(1)	50	45-88-0220	Retaining Washer	(1)
22	06-77-1400	14x5/16 "Driv-In" Screw	(1)	51	45-88-0141	Thrust Washer	(1)
23	06-81-9225	10-24x2-3/4 Round Sem	(2)	52	45-88-0160	Rubber Washer	(1)
24	12-99-0034	Nameplate	(1)	53	49-36-3500	Rubber Pad	(1)
25	06-85-0200	6x1/4 Rd. Hd. Type Z Screw	(2)	54	49-40-0350	Disc Nut	(1)
26	02-04-1070	Ball Bearing	(1)	55	06-81-6050	8-32x5/16 Fil. Hd. Sem	(6)
27	18-82-1180	115 Volt Field	(1)	56	06-42-1600	Woodruff Key	(2)
28	16-82-1711	115 Volt Armature	(1)	57	06-83-2725	1/4-28x3/8 Hdls. Set Screw	(2)
29	06-81-6950	10-24x1/2 Fil. Hd. Sem	(3)	58	48-80-6050	9 inch Phenolic Plate	(1)
				59	23-86-0060	Washer	(2)
				★ 60	12-98-7081	Caution Plate (Not Shown)	(1)

**MILWAUKEE ELECTRIC TOOL CORP.**

13135 West Lisbon Road • Brookfield, Wisconsin 53005