



SERVICE PARTS LIST

BUL. 54-38-2525

LIGHTWEIGHT SANDER

REVISED BUL.

DATE

April, '78

Catalog No. 6036

Starting
Serial No. **569-1001**

WIRING INSTRUCTIONS
58-01-0305

Specify Catalog and Serial No. when ordering parts

5000 R.P.M.
9.5 AMPS

FOR CAT. NO. 6036-2
(240V) TOOL USE:

18-56-0010 FIELD
16-56-0010 ARMATURE
22-64-4000 CORD SET

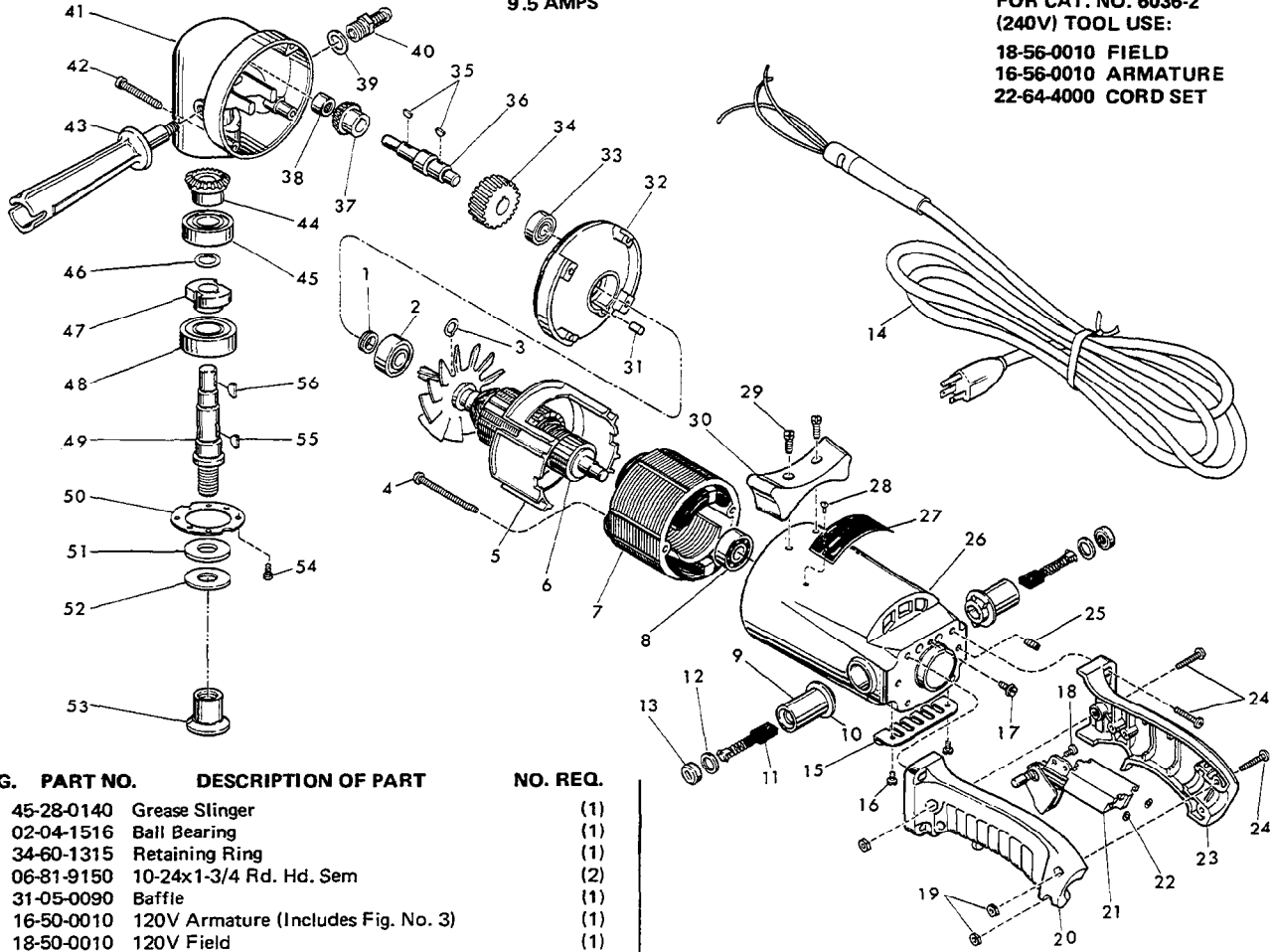


FIG.	PART NO.	DESCRIPTION OF PART	NO. REQ.
1	45-28-0140	Grease Slinger	(1)
2	02-04-1516	Ball Bearing	(1)
3	34-60-1315	Retaining Ring	(1)
4	06-81-9150	10-24x1-3/4 Rd. Hd. Sem	(2)
5	31-05-0090	Baffle	(1)
6	16-50-0010	120V Armature (Includes Fig. No. 3)	(1)
7	18-50-0010	120V Field	(1)
8	02-04-1070	Ball Bearing	(1)
9	22-22-1231	Brush Holder	(2)
10	23-86-0075	Insulating Washer	(2)
11	22-18-0175	Carbon Brush Assembly	(2)
12	43-44-0180	Brush Cap Gasket	(2)
13	23-44-0100	Brush Retaining Screw	(2)
14	22-64-0080	Cord Set	(1)
15	44-66-0230	Commutator Cover Plate	(1)
16	06-81-8650	6-32x1/4 Rd. Hd. Sem	(2)
17	06-81-9125	10-24x1/4 Long Sem Ground Screw	(1)
18	06-95-0215	8-18x1/2 Pan Hd. Thread Form Screw	(1)
19	06-55-1000	10-24 Hex Nut	(3)
20	31-44-0590	Left Handle Half	(1)
21	23-66-0255	Switch	(1)
22	06-97-1800	Lock Washer	(4)
23	31-44-0580	Right Handle Half	(1)
24	06-81-4207	10-24x7/8 Phil. Pan Hd. Screw	(7)
25	06-83-2000	10-24x1/4 Lg. Set Screw	(2)
26	28-50-5105	Motor Housing	(1)
27	12-99-0032	Nameplate Blank	(1)
28	06-85-0200	Nameplate Screw	(2)
29	06-81-6950	10-24x1/2 Fil. Hd. Sem	(2)
30	28-79-0321	Tool Rest	(1)
31	45-30-0110	Ball Bearing Retaining Slug	(1)
32	28-28-1510	Diaphragm (Includes Fig. No. 31)	(1)
33	02-04-0910	Ball Bearing	(1)
34	32-40-1760	Intermediate Gear	(1)

FIG.	PART NO.	DESCRIPTION OF PART	NO. REQ.
35	06-42-0800	Woodruff Key	(2)
36	36-66-4170	Intermediate Shaft	(1)
37	32-05-1140	Bevel Gear	(1)
38	02-50-1630	Needle Bearing	(1)
39	45-88-5320	Flat Washer	(1)
40	44-20-0060	Spindle Lock Assembly	(1)
41	28-14-1410	Gear Case	(1)
42	06-81-7300	10-24x1-3/4 Fil. Hd. Sem	(4)
43	43-62-0570	Side Handle	(1)
44	32-05-1150	Bevel Gear	(1)
45	02-04-1710	Ball Bearing	(1)
46	34-60-1290	Retaining Ring	(1)
47	42-74-0065	Spindle Locking Cog	(1)
48	02-04-2065	Ball Bearing	(1)
49	38-50-3751	Spindle	(1)
50	45-88-0220	Spindle Retaining Washer	(1)
51	45-88-0141	Hub Thrust Washer	(1)
52	45-88-0160	Rubber Spindle Washer	(1)
53	49-40-0350	Disc. Retaining Nut	(1)
54	06-81-6050	8-32x5/16 Fil. Hd. Sem	(6)
55	06-42-1600	Woodruff Key	(1)
56	06-42-1200	Woodruff Key	(1)
57	12-98-7068	Caution Plate (Not Shown)	(1)