



SERVICE PARTS LIST

BUL. 54-38-2020

7" DISC SANDER

REVISED BUL.
54-38-2019

DATE
Nov. '76

Catalog No. 6020

Starting
Serial No. **49-72220**

WIRING INSTRUCTIONS
58-01-0305

Specify Catalog and Serial No. when ordering parts

5000 R.P.M.

FOR CAT. NO. 6020-2 (240V) TOOL USE:

16-86-1580 ARMATURE
18-86-1074 FIELD
22-64-4000 CORD SET

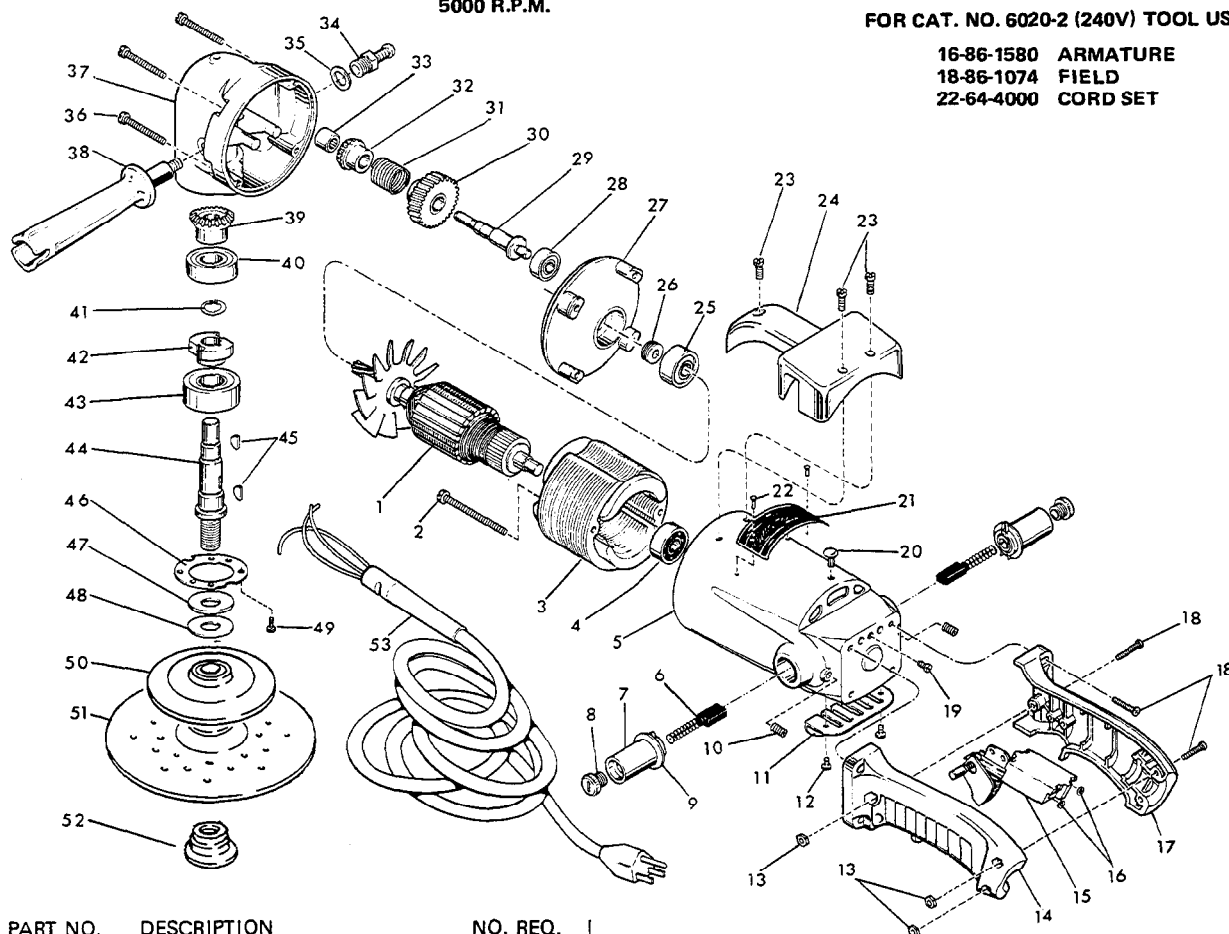


FIG.	PART NO.	DESCRIPTION	NO. REQ.
1	16-82-1711	115 Volt Armature	(1)
2	06-81-9225	10-24x2-3/4 Rd. Hd. Sem	(2)
3	18-82-1180	115 Volt Field	(1)
4	02-04-1070	Ball Bearing	(1)
★ 5	28-50-5150	Motor Housing	(1)
6	22-18-0125	Carbon Brush	(2)
7	22-22-0106	Brush Holder	(2)
8	23-44-0035	Brush Retaining Screw	(2)
9	23-86-0060	Insulating Washer	(2)
★ 10	06-83-2000	10-24x1/4 Set Screw	(2)
★ 11	44-66-0105	Vent Cover Plate	(1)
12	06-81-8650	6-32x1/4 Rd. Hd. Sem	(2)
★ 13	06-55-1000	10-24 Hex Nut	(3)
★ 14	31-44-0430	Handle Half Left	(1)
★ 15	23-66-0255	Switch (20 Amp)	(1)
16	06-97-1800	Lockwasher	(4)
★ 17	31-44-0420	Handle Half Right	(1)
★ 18	06-81-4207	10-24x7/8 Phillips Pan Hd. Screw	(7)
★ 19	06-81-9125	10-24x1/4 Ground Screw	(1)
20	06-77-1400	14x5/16 Driv-In Screw	(1)
21	12-99-0034	Nameplate Blank	(1)
22	06-85-0200	Nameplate Screw	(2)
23	06-81-6950	10-24x1/2 Fil. Hd. Sem	(3)
24	31-70-0100	Tool Rest	(1)
25	02-04-1340	Ball Bearing	(1)
26	45-28-0080	Grease Slinger	(1)
27	28-28-0381	Diaphragm	(1)
28	02-04-0910	Ball Bearing	(1)
29	36-66-3301	Intermediate Shaft	(1)

FIG.	PART NO.	DESCRIPTION	NO. REQ.
30	32-40-1481	Intermediate Gear	(1)
31	40-50-3200	Clutch Spring	(1)
32	32-50-1261	Miter Gear	(1)
33	02-50-2130	Needle Bearing	(1)
34	44-20-0060	Spindle Lock Assembly	(1)
35	45-88-5320	Flat Washer	(1)
36	06-81-7300	10-24x1-3/4 Fil. Hd. Sem	(4)
37	28-14-0610	Gear Case	(1)
38	43-62-0570	Side Handle	(1)
39	32-50-1241	Miter Gear	(1)
40	02-04-1710	Ball Bearing	(1)
41	34-60-1290	Retaining Ring	(1)
42	42-74-0065	Spindle Lock Cog	(1)
★ 43	02-04-2065	Ball Bearing	(1)
44	38-50-1751	Spindle	(1)
45	06-42-1600	Woodruff Key	(2)
46	45-88-0220	Spindle Retaining Washer	(1)
47	45-88-0141	Hub Thrust Washer	(1)
48	45-88-0160	Spindle Rubber Washer	(1)
49	06-81-6050	8-32x5/16 Fil. Hd. Sem	(6)
50	49-36-3500	Rubber Backing Pad	(1)
51	48-80-6000	7" Phenolic Disc	(1)
52	49-40-0350	Disc Nut	(1)
★ 53	22-64-0080	Cord Set	(1)
54	12-98-7065	Instruction Plate (Not Shown)	(1)
55	12-98-7081	Caution Plate (Not Shown)	(1)

MILWAUKEE ELECTRIC TOOL CORP.

13135 West Lisbon Road • Brookfield, Wisconsin 53005