



SERVICE PARTS LIST

BULLETIN NO.
54-38-0401

SPECIFY CATALOG NO. AND SERIAL NO. WHEN ORDERING PARTS		REVISED BULLETIN	DATE
FINISHING SANDER		54-38-0400	June '95
CATALOG NO.	6016	WIRING INSTRUCTION	
SERIAL NUMBER	757-257800	58-01-0220	

00 0

EXAMPLE:
Component Parts (Small #) Are Included
When Ordering The Assembly (Large #).

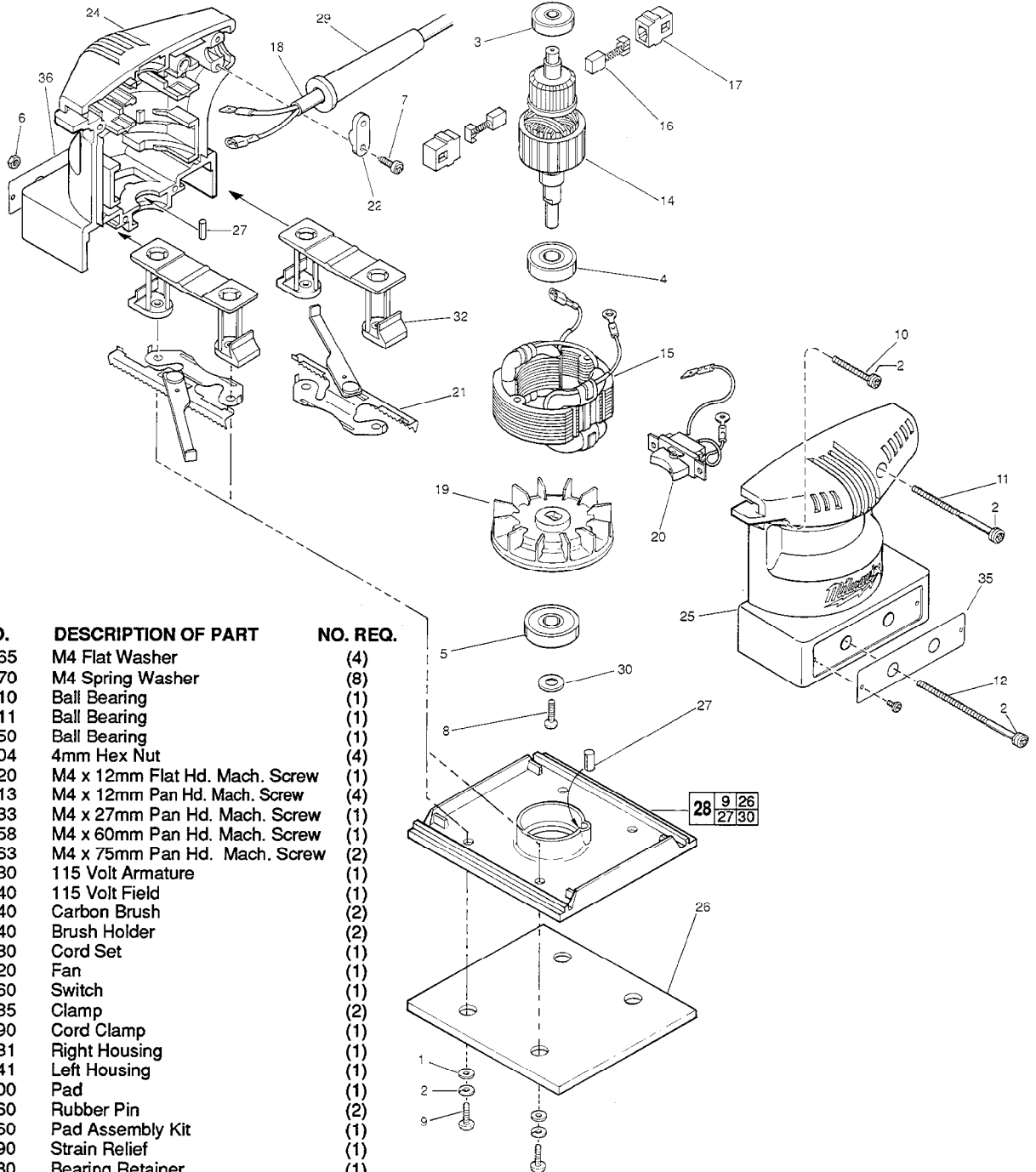


FIG.	PART NO.	DESCRIPTION OF PART	NO. REQ.
★ 1	45-88-8265	M4 Flat Washer	(4)
★ 2	45-88-8270	M4 Spring Washer	(8)
★ 3	02-04-0710	Ball Bearing	(1)
4	02-04-0911	Ball Bearing	(1)
5	02-04-1050	Ball Bearing	(1)
6	05-55-0104	4mm Hex Nut	(4)
8	05-80-0420	M4 x 12mm Flat Hd. Mach. Screw	(1)
9	05-81-0413	M4 x 12mm Pan Hd. Mach. Screw	(4)
★ 10	05-81-0433	M4 x 27mm Pan Hd. Mach. Screw	(1)
★ 11	05-81-0458	M4 x 60mm Pan Hd. Mach. Screw	(1)
★ 12	05-81-0463	M4 x 75mm Pan Hd. Mach. Screw	(2)
14	16-10-0630	115 Volt Armature	(1)
15	18-10-0140	115 Volt Field	(1)
16	22-16-0340	Carbon Brush	(2)
17	22-20-0740	Brush Holder	(2)
18	22-64-3030	Cord Set	(1)
19	22-84-0820	Fan	(1)
20	23-66-1660	Switch	(1)
★ 21	42-68-0585	Clamp	(2)
22	42-68-0590	Cord Clamp	(1)
★ 24	43-76-0531	Right Housing	(1)
★ 25	43-76-0541	Left Housing	(1)
26	44-52-0400	Pad	(1)
27	44-60-1060	Rubber Pin	(2)
28	42-20-0660	Pad Assembly Kit	(1)
29	44-76-0190	Strain Relief	(1)
30	44-86-0430	Bearing Retainer	(1)
32	45-60-0500	Support Foot	(2)
★ 35	12-99-3135	Service Nameplate	(1)
36	10-98-6595	Caution Plate	(1)

28 9 26
27 30