



SERVICE PARTS LIST

BULLETIN NO.
54-38-0400

SPECIFY CATALOG NO. AND SERIAL NO. WHEN ORDERING PARTS		REVISED BULLETIN	DATE
FINISHING SANDER			Mar.'89
CATALOG NO. 6016	STARTING SERIAL NO. 757-1001	WIRING INSTRUCTION 58-01-0220	

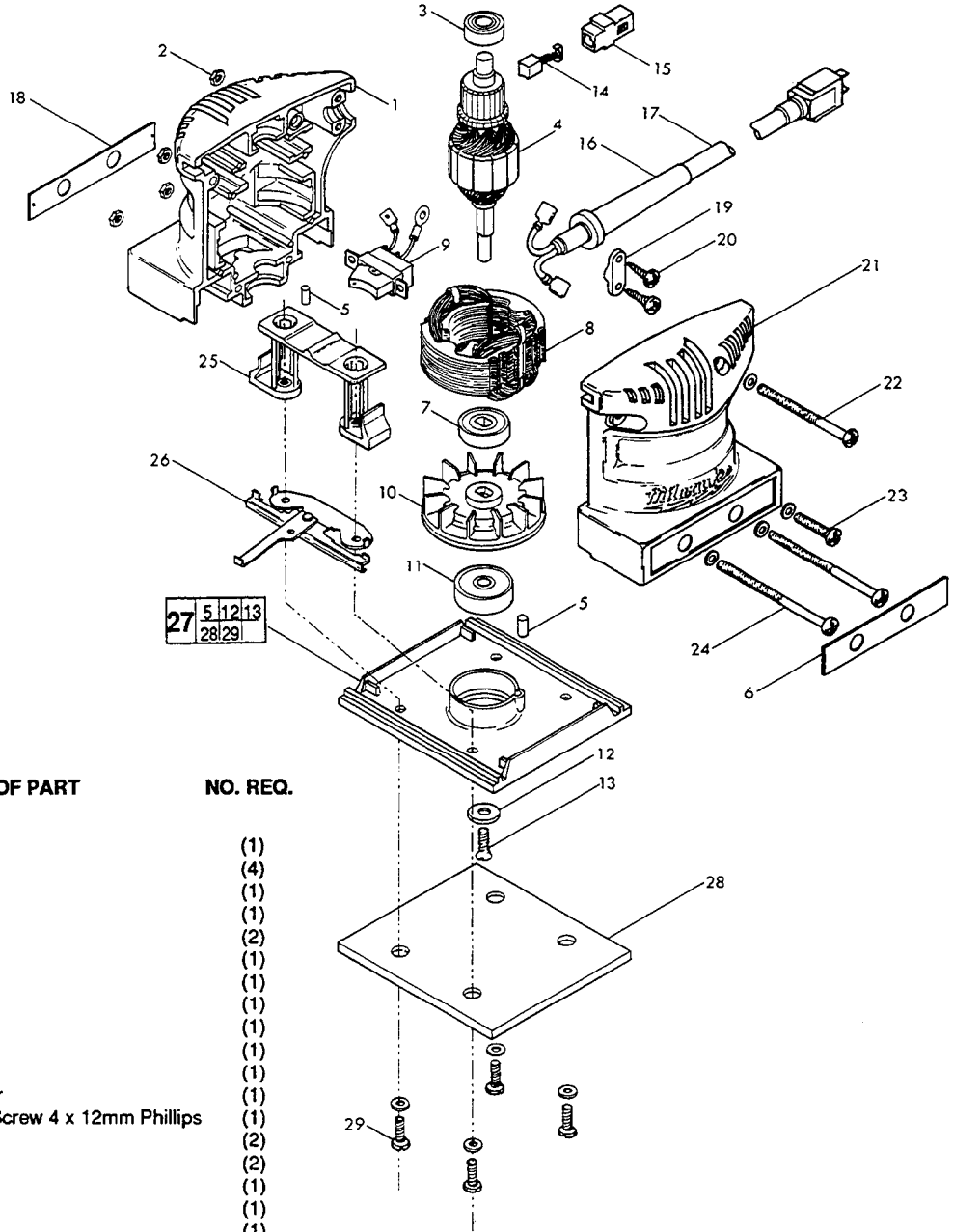


FIG. PART NO. DESCRIPTION OF PART NO. REQ.

1	43-76-0530	Right Housing	(1)
2	05-55-0104	4mm Hex Nut	(4)
3	02-04-0710	Ball Bearing	(1)
4	16-10-0630	Armature	(1)
5	44-60-1060	Rubber Pin	(2)
6	12-65-3130	Nameplate	(1)
7	02-04-0912	Ball Bearing	(1)
8	18-10-0140	Field	(1)
9	23-66-1660	Switch	(1)
10	22-84-0820	Fan	(1)
11	02-04-1050	Ball Bearing	(1)
12	44-86-0430	Bearing Retainer	(1)
13	05-80-0420	Flat Hd. Mach. Screw 4 x 12mm Phillips	(1)
14	22-16-0340	Carbon Brush	(2)
15	22-20-0740	Brush Holder	(2)
16	44-76-0190	Strain Relief	(1)
17	22-64-3030	Cord Set	(1)
18	10-98-6595	Caution Plate	(1)
19	42-68-0590	Cord Clamp	(1)
20	05-78-0425	Plastite Screw 4 x 12mm Phillips	(2)
21	43-76-0540	Left Housing	(1)
22	05-81-0460	Pan Hd. Mach. Screw 4 x 65mm Phillips	(1)
23	05-81-0435	Pan Hd. Mach. Screw 4 x 28mm Phillips	(1)
24	05-81-0465	Pan Hd. Mach. Screw 4 x 80mm Phillips	(2)
25	45-60-0500	Support Foot	(2)
26	42-68-0580	Clamp	(2)
27	42-20-0660	Pad Assembly Kit	(1)
28	44-52-0400	Pad	(1)
29	05-81-0413	Pan Hd. Mach. 4 x 12mm Slotted Phillips	(4)
	10-98-6600	Bi-Lingual Label	(1)