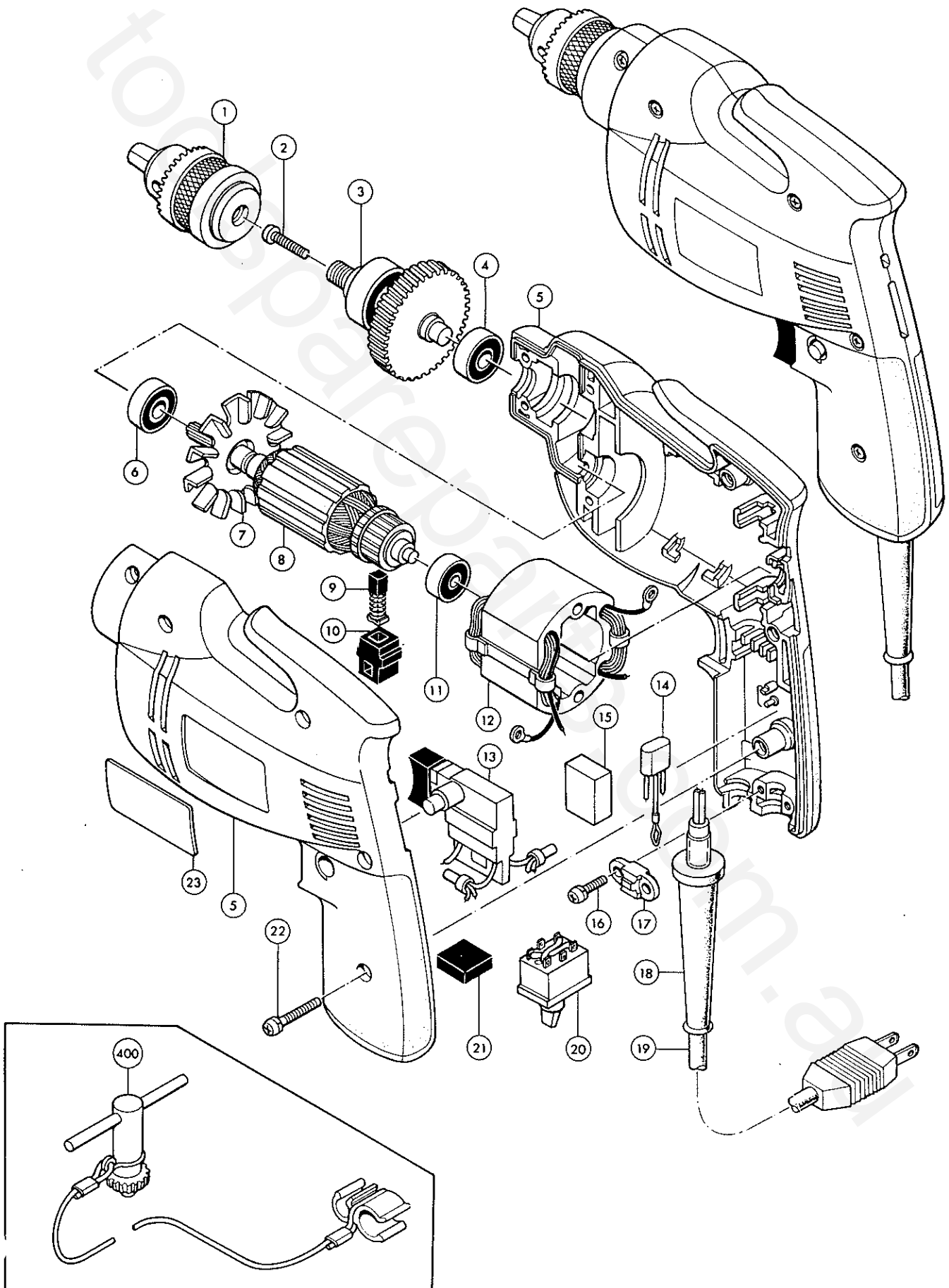




10mm ($\frac{3}{8}$ ") DRILL Models 6010BV & 6010BVR



ITEM NO.	PART NO.	NO. USED	DESCRIPTION	ITEM NO.	PART NO.	NO. USED	DESCRIPTION
<u>MACHINE</u>				<u>MACHINE</u>			
1	763054-5	1	Drill Chuck S10	15	685701-7	2	Sponge Sheet
2	251277-2	1	P. H. Screw M5x18 (For Model 6010BVR)	16	911131-9	2	P. H. Screw M4x18 (With Washer)
3		1	Gear	17		1	Strain Relief
	153115-3		For Model 6010BV		687001-1		For Black-White, Blue-Brown, SAA Listed (A-12 & A-22), UL & CSA Listed (SJT Type) & Italian Type Cord
	153117-9		For Model 6010BVR		687002-9		For UL & CSA Listed (SJ Type), Draka, SEV Listed & Spanish Type Cord
4	211030-8	1	Ball Bearing 627Z	18		1	Cord Guard
5	181013-1	1	Housing Set		682504-0		For Black-White, Blue-Brown, Draka & SAA Listed (A-22) Cord
6	211030-8	1	Ball Bearing 627Z		682502-4		For UL & CSA Listed (SJT & ST Type), SEV Listed, SAA Listed (A-12), Spanish Type & Italian Type Cord
7	241503-7	1	Fan 52	19		1	CORD ASSEMBLY (Assembled Cord, Plug & Cord Guard)
8		1	ARMATURE ASSEMBLY (Assembled Items 6, 7, 8 & 11)		541003-0		Black-White (With Plug)
	511360-0		100 V.		556010-0		Black-White (With French Type Plug)
	511361-8		115 V. - 130 V.		545003-2		Black-White (Without Plug)
	511362-6		200 V.		548004-9		Blue-Brown (Without Plug)
	511363-4		220 V.		551004-0		UL & CSA Listed (SJT Type With Plug)
	511364-2		230 V. - 250 V.		551015-5		UL & CSA Listed (SJ Type With Plug)
9	643056-6	2	Carbon Brush CB-56 100 V. - 250 V.		554003-1		SEV Listed (With Plug)
10	643552-4	2	Brush Holder		546005-1		SAA Listed A-12 Ordinary Duty (With Plug)
11	211020-1	1	Ball Bearing 626Z		546031-0		SAA Listed A-22 Heavy Duty (With Plug) For Australia
12		1	FIELD ASSEMBLY For Model 6010BV		553003-8		Draka (With Plug)
	521360-2		100 V.		552505-1		Italian Type (With Plug)
	521361-0		115 V. - 130 V.		555004-2		Spanish Type (With Plug)
	521362-8		200 V.	20	651461-3	1	Reversing Switch 8928K311 (For Model 6010BVR)
	521363-6		220 V.	21	423023-5	1	Rubber Plate (For Model 6010BV)
	521364-4		230 V. - 250 V. For Model 6010BVR	22	911148-2	7	P. H. Screw M4x25 (With Washer)
	521365-2		100 V.	23		1	Name Plate
	521366-0		115 V. - 130 V.		815116-6		For Model 6010BV
	521367-8		200 V.		815121-3		For Model 6010BVR
	521368-6		220 V.		654518-9	1	Terminal Block For Australia (Not Illustrated)
	521369-4		230 V. - 250 V.	<u>ACCESSORY</u>			
13		1	Switch	400	763210-7	1	Chuck Key S10
	651313-8		Double Pole (With Lock Button) 8601K4 For 100 V. - 130 V.				
	651211-6		Single Pole (With Lock Button) 7.33 For 200 V. - 250 V.				
14	645006-7	1	Noise Suppressor 100 V. - 250 V.				