



SERVICE PARTS LIST

BUL. 54-38- 1000

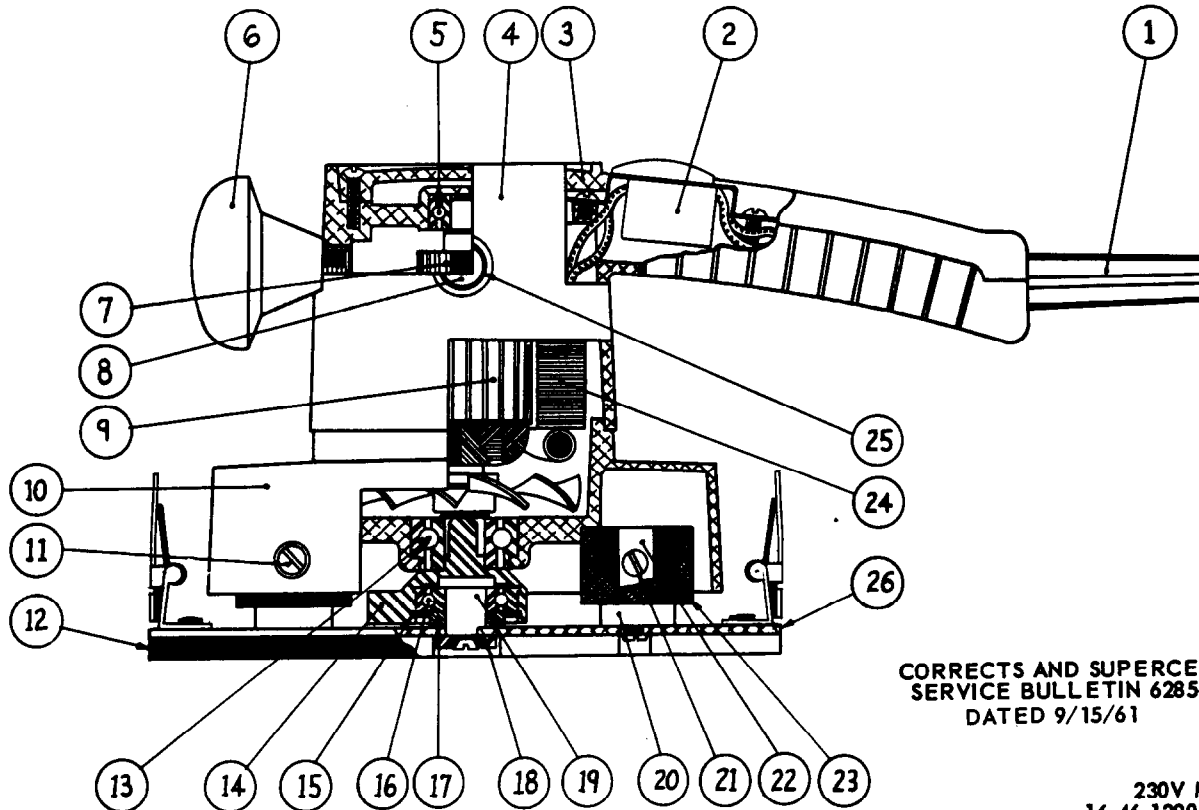
ORBITAL SANDER

REVISED BUL 6285-1 DATE Feb. '68
WIRING INSTR.

Catalog No. 6000

Starting Serial No. 285-1001

Both Model and Serial No. must be furnished to obtain correct parts.



CORRECTS AND SUPERCEDES SERVICE BULLETIN 6285-1 DATED 9/15/61

230V Motor Parts
16-46-1290 Armature Assy.
18-46-1130 Field Assy.

FIG. PART NO.	DESCRIPTION OF PART	FIG. PART NO.	DESCRIPTION OF PART
1	22-64-0220 Cord Set	14	43-16-0051 Eccentric
2	23-66-0380 Switch	15	34-80-2000 Eccentric Bearing Ret Ring
3	28-20-3531 Handle Cover	16	02-04-1215 Eccentric Ball Bearing
4	28-50-5001 Motor Housing	17	45-88-0390 Mounting Hub Spacer Washer
5	02-04-0880 Ball Bearing (Comm. End)	18	45-88-0400 Mounting Hub Clamping Washer
6	43-98-0060 Hand Knob	19	43-78-0091 Mounting Hub
7	22-18-009C Carbon Brush Assy. (2)	20	42-36-0310 Suspension Bracket (2)
8	23-44-0060 Brush Ret Screw (2)	21	06-81-6100 8-32x7/16 Fil. Hd. Sems (4)
9	16-42-1290 Armature Assy. (115V)	22	42-68-0130 Tube Clamp (4)
10	28-28-1241 Diaphragm	23	45-76-0100 Suspension Tube (4)
11	06-81-8060 8-32x½ Oval Hd. Sems (4)	24	18-42-1130 Field Assy. (115V)
12	44-52-0060 Pad only with Adhesive Backing	25	22-22-0160 Brush Holder Assy. (2)
13	02-04-1290 Ball Bearing (Fan End)	26	14-65-0100 Pad Assembly

MISCELLANEOUS PARTS NOT SHOWN

PART NO.	DESCRIPTION OF PART	PART NO.	DESCRIPTION OF PART
06-81-6200	8-32x5/8 Fil Hd. Sems Cord Clamp Ret Screw (2)	06-81-6510	8-32x1 3/8 Fil. Hd. Sems Field Screw (2)
06-81-8650	6-32x¼" Rd. Hd. Sems Switch Mounting Screw (2)	06-81-6300	8-32x7/8" Fil. Hd. Sems Diaphragm Mtg. Screw (4)
06-81-3640	8-32x5/8" Oval Hd. Handle Cover Screw (3)	06-81-5400	8-32x5/16" Binder Hd. Sems Pad Mtg. Screw (4)
34-60-0900	Ball Bearing Ret Ring	06-97-0870	#10 Lockwasher, countersunk
06-81-2650	10-32x5/8" Flat Hd. Mounting Hub Clamping Screw	12-98-5300	Nameplate
06-81-8625	6-32x¼" (Bronze) Rd. Hd. Sems Ground Screw	44-40-0220	Tube Nut (4)
06-83-2650	¼-20x3/8" Hd'less Brush Holder Set Screw (2)	06-77-0450	¾x¼" Name Plate Drive Screws (2)
		23-86-0140	Insulating Washers (2)
		06-97-5450	Pad Lock Washer

Numbers in Brackets indicate number required.