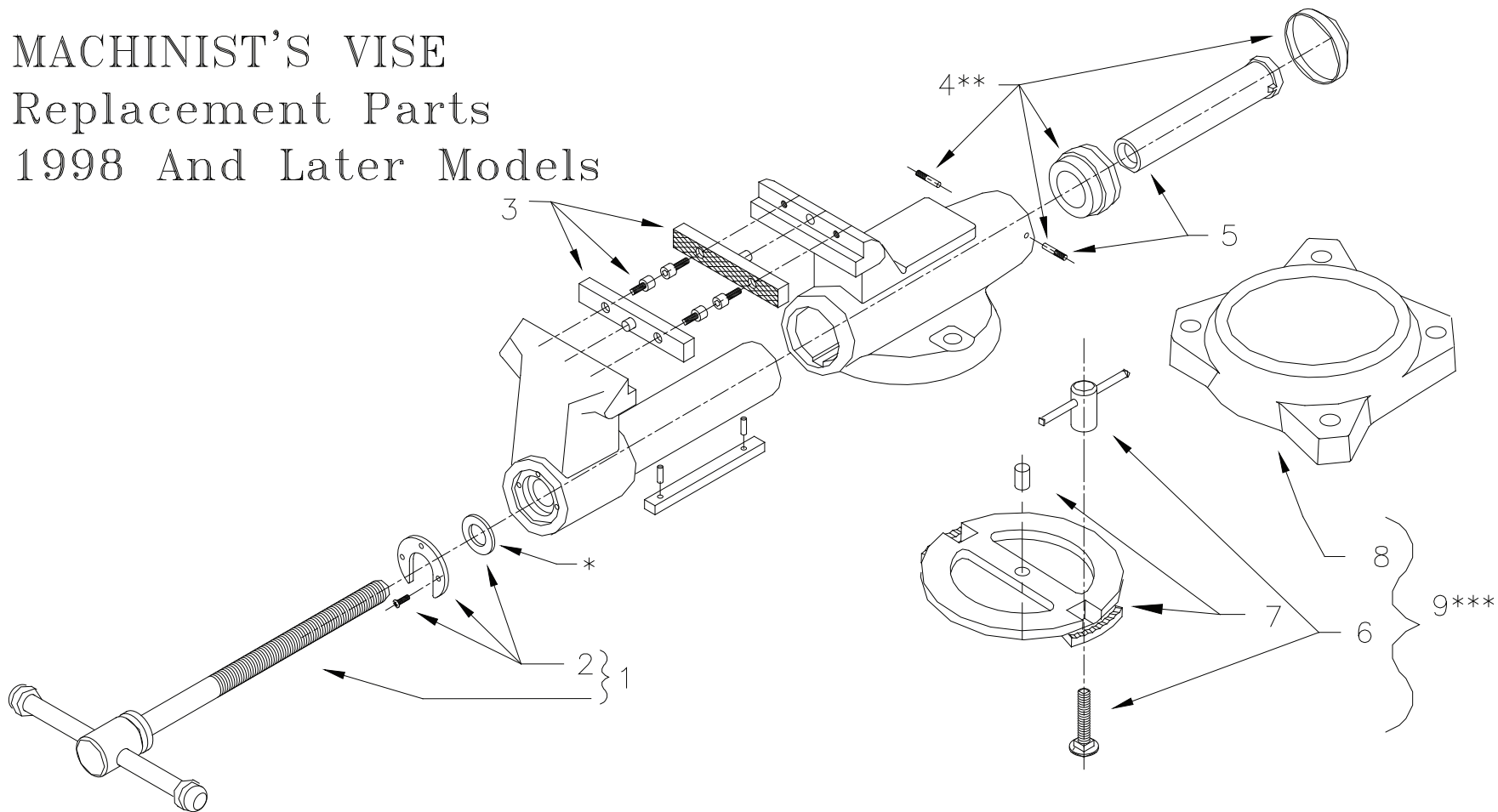


MACHINIST'S VISE

Replacement Parts

1998 And Later Models



WILTON MODEL NUMBER	STATIONARY JAW CASTING NUMBER: REFERENCE	ITEM #1 SPINDLE ASSEMBLY WITH #2	ITEM #2 RING WITH (3) SCREWS & WASHER	ITEM #3a SERRATED JAW INSERTS W/ SCREWS	ITEM #3b SMOOTH JAW INSERTS W/ SCREWS	ITEM #4** END PIECE ASSEMBLY W/ 2 PINS	ITEM #5 SPINDLE NUT, WITH 2 PINS	ITEM #6*** LOCK NUT AND BOLT ASSEMBLIES	ITEM #7*** INNER RING WITH DOWEL PIN	ITEM #8*** OUTER RING ONLY	ITEM #9*** SWIVEL BASE ASSEMBLY (#6, #7, & #8)
250	101008	2900060	2904280	2903040	NOT AVAIL.	2904290	2900070	2904330	1010110	1010100	NOT AVAIL.
300	101321	2900000	2904000	2903080	2903090	2903100	2903110	2904060	1010900	1012010	2904370
350	111286	2900010	2904000	2904960	2904970	2904390	2900130	2904270	1010880	1011990	2904050
400	111268	2900020	2904010	2904980	2904990	2900080	2900120	2904270	1010810	1011980	2904120
450	111276	2900030	2904010	2905000	2905010	2900080	2907670	2904270	1010810	1011980	2904120
500	100501	2900040	2904070	2905020	2905030	2900740	2900750	2904270	1010810	1011980	2904120
600	101130	2900050	2904500	2903280	NOT AVAIL.	2900760	2900100	2904160	1010830	1010840	2904150
800	101106	2907050	2904540*	2904940	NOT AVAIL.	2904550	2900090	2905230	1011070	1011080	2904580

* Washer is not used on model 800 vise.

*** Items 6 thru 9 are not used on "N" model vises.

** The end piece is internal and covered with a large diameter end cap.