

Item	Part Number	Description	Illustration	Price	Quantity	
2/5	2 610 915 998	Contact		1	-,-	1
3	2 610 916 423	Pinion		1	-,-	1
4	2 610 913 220	On-Off Switch		1	-,-	1
5	2 610 916 420	Sealing washer		1	-,-	1
6	2 610 916 415	Mounting Insert		1	-,-	1
7	2 610 916 416	Mounting Insert		1	-,-	1
8	2 610 916 424	Manufacturer's nameplate		1	-,-	1
9	2 610 917 743	Manufacturer's nameplate		1	-,-	1
19	1 619 P01 505	Screw		1	-,-	6
20	2 610 916 425	Reference Plate		1	-,-	1
22	2 610 918 983	O-Ring		1	-,-	1
23	2 610 918 935	Spring Washer		1	-,-	1
24	2 610 916 893	Protective Cover		1	-,-	1
25	2 610 997 776	Pinion Shaft		1	-,-	1
26	1 619 X01 554	Bearing Plate		1	-,-	1
27	1 619 X01 786	Contact Screw		1	-,-	4
28	2 610 341 361	Supporting Disc		1	-,-	2
29	2 610 917 742	Rubber Pad		1	-,-	1
30	2 610 916 417	Mounting Plate		1	-,-	1
31	2 610 917 413	Shoulder Screw		1	-,-	2
32	2 610 916 428	Guard Plate		1	-,-	1
33	2 610 914 057	Extension Spring		1	-,-	1
34	2 610 924 015	Lever		1	-,-	1
36	2 610 341 359	Spring retaining ring		1	-,-	1
39	2 610 931 997	Screw		1	-,-	4
40	1 619 X01 143	Base Plate		1	-,-	1
41	2 610 017 262	Round-Head Bolt		1	-,-	1
42	2 610 917 567	Knob		1	-,-	1
43	2 610 914 058	Roller Pin		1	-,-	1
48	2 610 347 892	Spacer		1	-,-	1
49	2 610 341 394	End stop		1	-,-	1
50	2 610 341 366	Spacer		1	-,-	1
51	2 610 347 100	Screw		1	-,-	1

Item	Part Number	Description	Illustration	Price	Quantity	
52	1 619 X00 935	Hex Screw		1	-,-	1
55	1 619 X00 504	Screw		1	-,-	2
56	2 610 920 315	Window		1	-,-	1
58	2 610 347 488	Screw		1	-,-	1
59	2 610 916 421	Housing Cover		1	-,-	1
66	2 610 997 773	Bearing		1	-,-	1
67	2 610 913 300	Label		1	-,-	1
68	2 610 917 741	O-Ring		1	-,-	1
69	2 610 917 414	Bushing		1	-,-	1
650	2 610 341 299	Box Wrench		1	-,-	1
651	2 607 335 330	Accumulator Battery 18V, 1,0Ah, NiCd		1	-,-	1
652	2 607 224 861	Battery Charger USA 120/7,2-18V		1	-,-	1
801	2 610 916 894	Housing Section		1	-,-	1
802	2 610 916 895	Motor Housing		1	-,-	1
837	2 610 913 295	Set Of Handles		1	-,-	1
846	2 610 921 181	Lever		1	-,-	1
853	2 610 916 896	Handle		1	-,-	1

F012 560 000
 Issue 03-12-17
 Stand

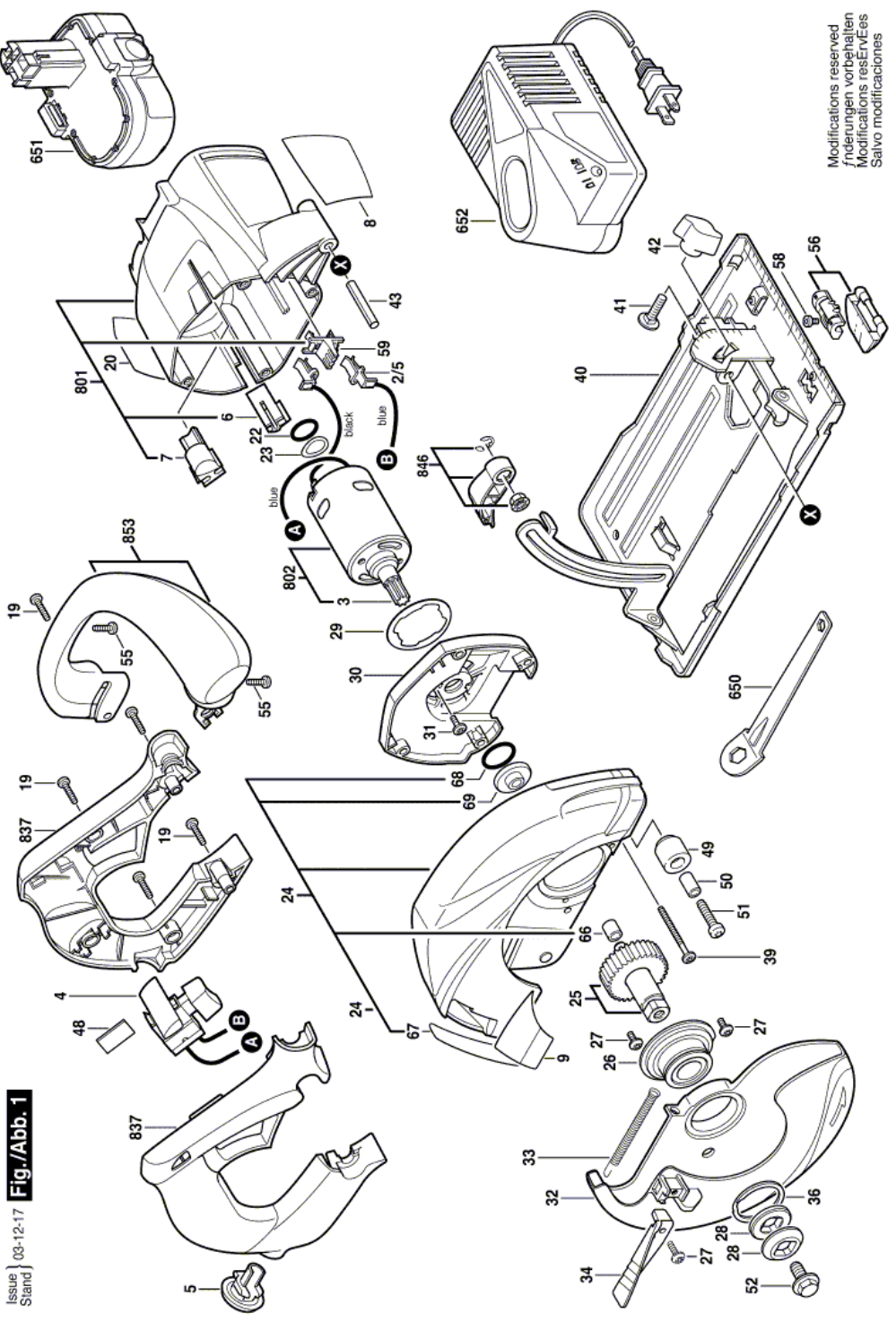


Fig./Abb. 1

Modifications reserved
 Änderungen vorbehalten
 Modifications réservés
 Salvo modificaciones