

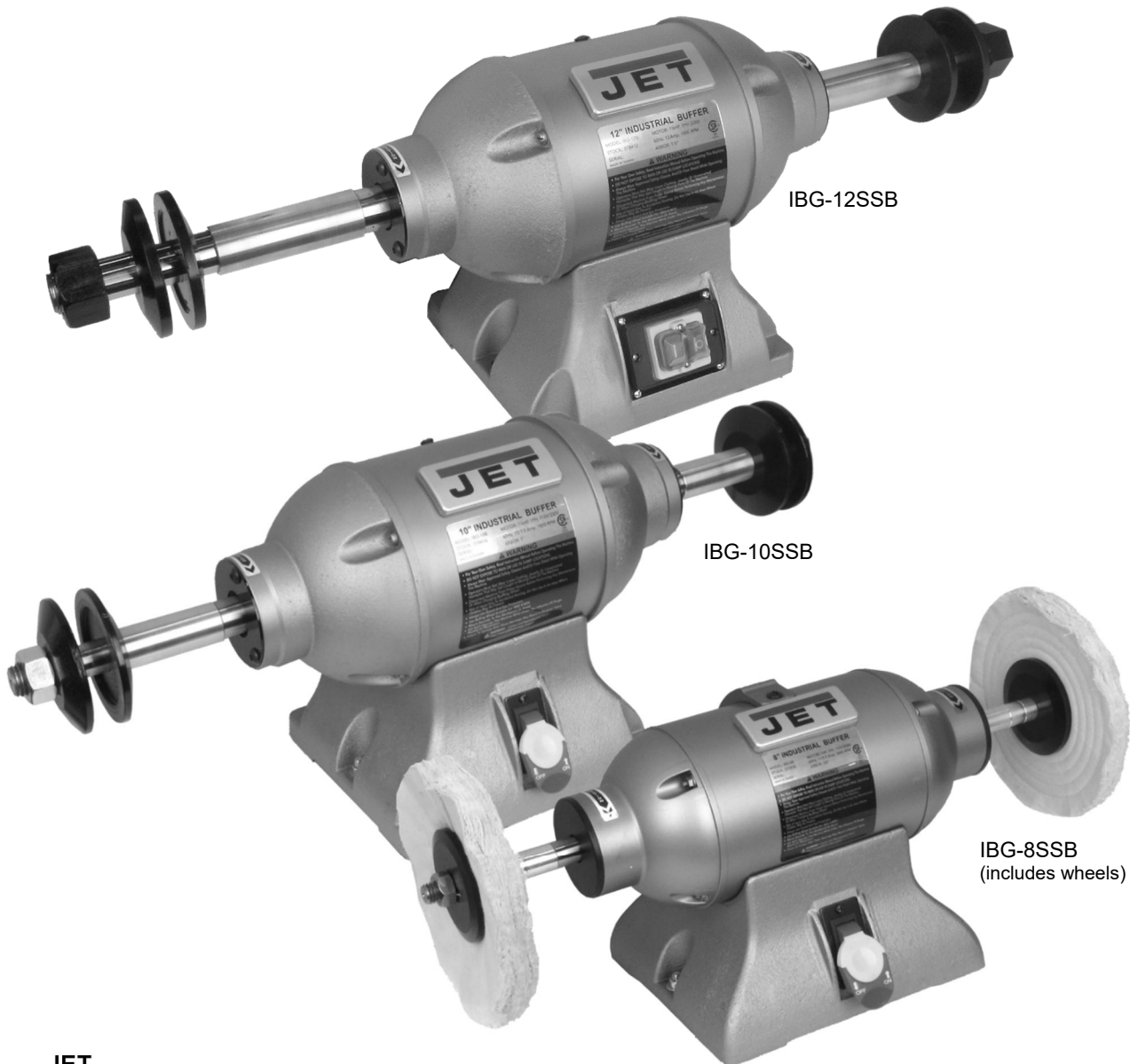


Record purchase information:

Model No.:	Stock No.:
Serial No.:	
Purchased from:	
Date purchased:	

Operating Instructions and Parts Manual Industrial Buffing Machines

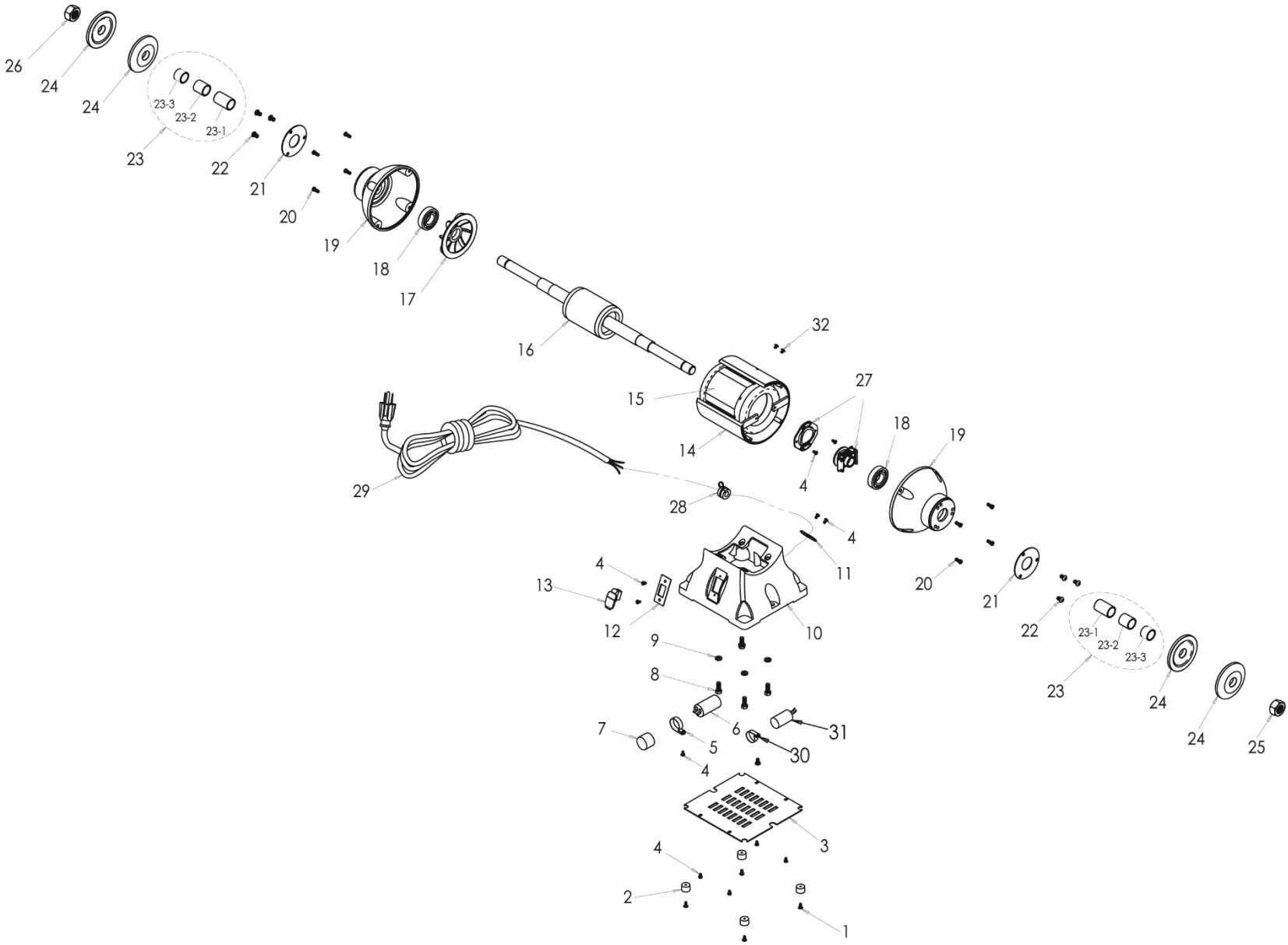
Models IBG-8SSB, IBG-10SSB, IBG-12SSB



JET
427 New Sanford Road
LaVergne, Tennessee 37086
Ph.: 800-274-6848
www.powermatic.com

Part No. M-577408
Edition 1 12/2019
Copyright © 2019 Powermatic

11.2.1 IBG-10SSB Buffer – Exploded View



11.2.2 IBG-10SSB Buffer – Parts List

Index No.	Part No.	Description	Size	Qty
1	IBG8-01	Truss Head Screw	3/16"-24 x 1/4"	4
2	IBG10-02	Rubber Pad		4
3	IBG10-03	Base Plate		1
4	IBG8-04	Truss Head Screw	3/16"-24 x 3/8"	12
5	IBG10-05	Capacitor Bracket		1
6	IBG10-06	Start Capacitor	400MFD, 125VAC	1
7	IBG10-07	Capacitor Cover		1
8	TS-0060051	Hex Cap Screw	3/8"-16 x 1"	4
9	TS-0720091	Lock Washer	3/8"	4
10	IBG10-10	Base		1
11	IBG8-11	Cord Plate		1
12	IBG10-12	Switch Plate		1
13	IBG8-13	Switch with Safety Key		1
	IBG8-13-1	Safety Key		1
14	IBG10-14	Motor Housing		1
15	IBG10-15	Stator		1
16	IBG10SSB-16	Rotor with Shaft		1
17	IBG10-17	Motor Fan		1
18	BB-6206ZZ	Ball Bearing	6206ZZ	2
19	IBG10-19B	End Bell		2
20	IBG8-26	Truss Head Screw	1/4"-20 x 3/4"	8
21	IBG10SSB-21	End Cap		2
22	TS-0255011	Socket HD Button Screw	5/16" x 3/8"	6
23	IBG10SSB-23	Spacer Kit (includes #23-1 thru 23-3)		1
23-1	IBG10SSB-23-1	Spacer	L 2"	2
23-2	IBG10SSB-23-2	Spacer	L 1"	2
23-3	IBG10SSB-23-3	Spacer	L 1/2"	2
24	IBG10-24	Wheel Flange	4-1/8" OD, 1" ID	4
25	IBG10-45	Hex Nut (Right Hand Thread)	1"-8UNC	1
26	IBG10-26	Hex Nut (Left Hand Thread)	1"-8UNC LH	1
27	IBG10-43	Centrifugal Switch Assembly		1
28	IBG10-48	Strain Relief		1
29	IBG10-47	Power Cord		1
30	IBG10-50	Capacitor Bracket		1
31	IBG10-51	Running Capacitor	45µF, 350VAC	1
32	F000297	Phillips Pan HD Machine Screw	1/4"-20 x 3/8"	2
	LM000411	ID/Warning Label, IBG-10SSB (not shown)		1
	JET-113-93R	JET Logo (not shown)	113x47mm	1