



Operating Instructions and Parts Manual

8-inch Variable Speed Buffing Machine

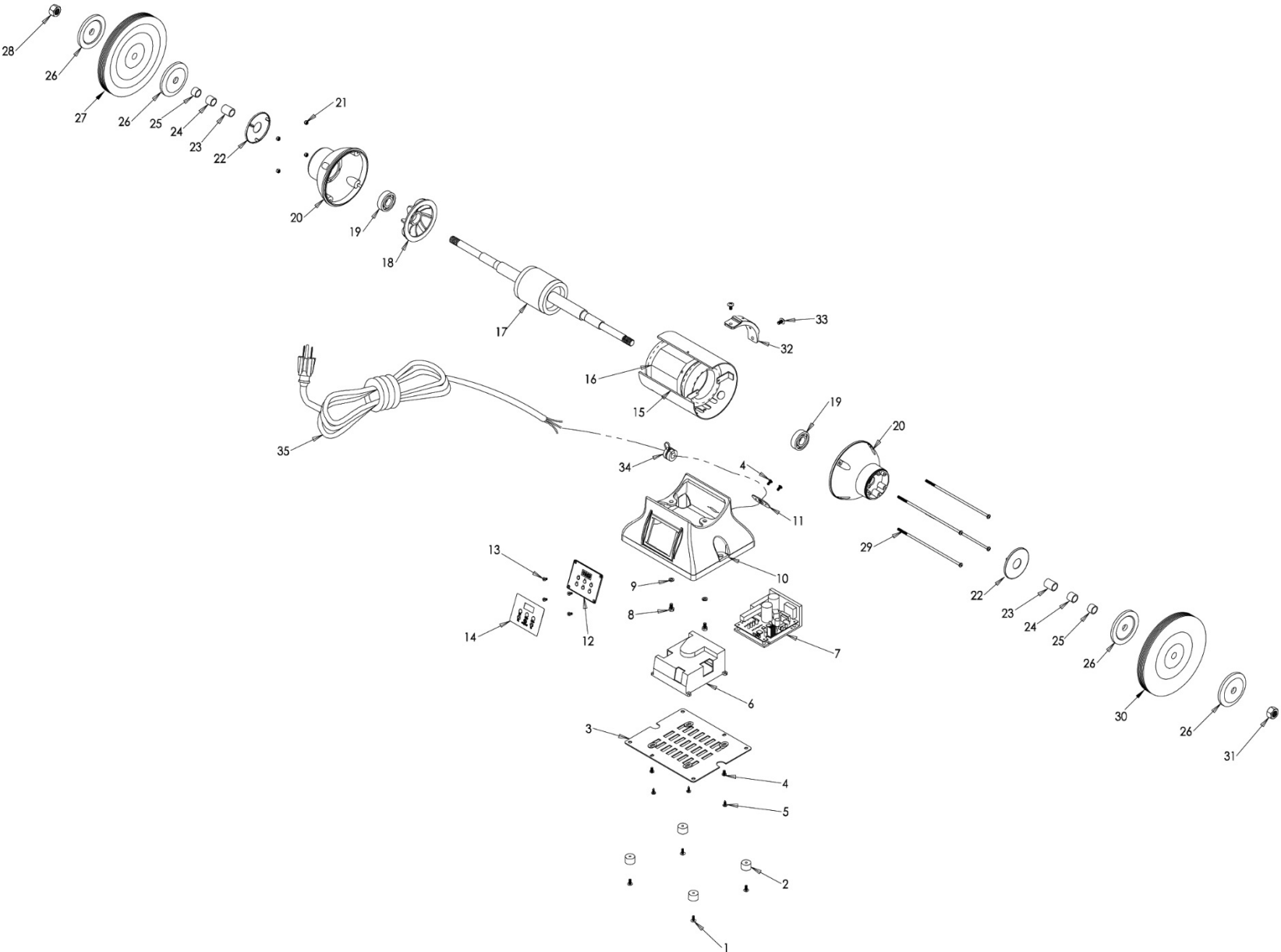
Model IBG-8VSB



JET
427 New Sanford Road
LaVergne, Tennessee 37086
Ph.: 800-274-6848
www.jettools.com

Part No. M-578218
Edition 3 09/2018
Copyright © 2017 JET

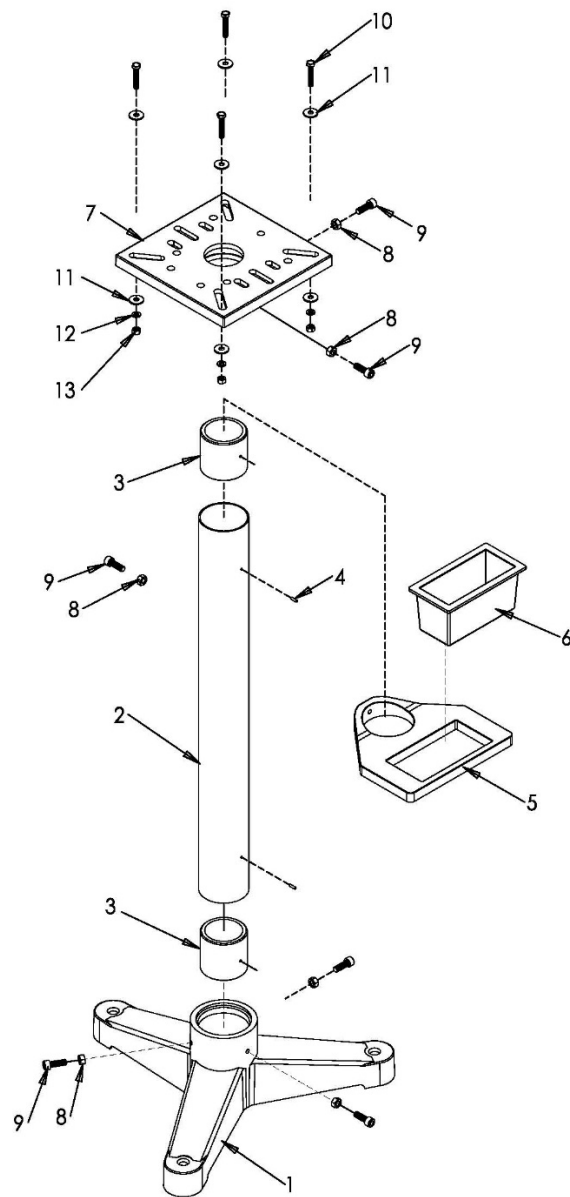
12.1.1 IB-G-8VSB Buffer – Exploded View



12.1.2 IBG-8VSB Buffer – Parts List

Index No.	Part No.	Description	Size	Qty
1	IBG8-01	Truss Head Screw	3/16"-24 x 1/4"	4
2	IBG8-02	Rubber Pad		4
3	IBG8-03	Base Plate		1
4	IBG8-04	Truss Head Screw	3/16"-24 x 3/8"	4
5	F011289	Truss Head Phillips Tap Screw	#8x1/2"	4
6	IBG8VS-06	Electrical Box		1
7	IBG8VS-07	Inverter PCB		1
8	TS-0050021	Hex Cap Screw	1/4"-20 x 5/8"	2
9	TS-0720071	Lock Washer	1/4"	2
10	IBG8VS-10	Base		1
11	IBG8-11	Cord Plate		1
12	IBG8VS-12	Control Panel w/ Digital Readout (includes #14)		1
13	TS-2284082	Pan Head Screw	M4 x 8	4
14	IBG8VS-13	Panel Decal		1
15	IBG8VS-14	Motor Housing		1
16	IBG8VS-15	Stator		1
17	IBG8VSB-17	Rotor		1
18	IBG8-17	Motor Fan		1
19	BB-6204ZZ	Ball Bearing	6204ZZ	2
20	IBG8-19	End Bell		2
21	TS-1540031	Hex Nut	M5	4
22	IBG8VSB-22	End Cap		2
23	IBG8VSB-23	Spacer	L 25mm	2
24	IBG8VSB-24	Spacer	L 16mm	2
25	IBG8VSB-25	Spacer	L 13mm	2
26	IBG8-22	Wheel Flange		4
27	IBG8VSB-27	Buffing Wheel (full spiral sewn)	Ø8" x W 1/2" x B 5/8"	1
28	IBG8-24	Hex Nut (LH Thread)	5/8"-11UNC	1
29	IBG8-42	Screw	M5 x 0.8 x 205	4
30	IBG8VSB-30	Buffing Wheel (half spiral sewn)	Ø8" x W 1/2" x B 5/8"	1
31	IBG8-44	Hex Nut (RH Thread)	5/8"-11UNC	1
32	IBG8-50	Lamp Fixed Bracket		1
33	TS-081F031	Flat Head Cross Screw	1/4" x 3/8"	2
34	IBG8-47	Strain Relief		1
35	IBG8-46	Power Cord with 15A Plug	16AWG x 3C SJT	1
	LM000285	ID/Warning Label, IBG-8VSB (not shown)		1
	JET-92	JET Logo (not shown)	92x38mm	1

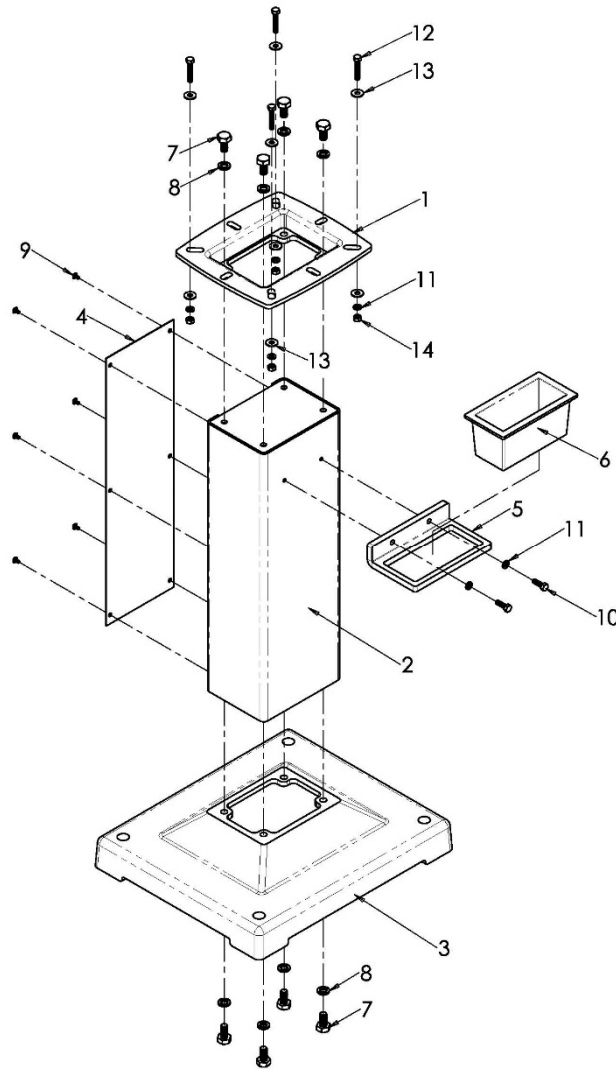
12.2.1 IBG-Stand Assembly (OPTIONAL) – Exploded View



12.2.2 IBG-Stand Assembly (OPTIONAL) – Parts List

Index No.	Part No.	Description	Size	Qty
.....	578172	IBG-Stand for Bench Grinders (#1 thru 13)	1
1	IBGS-01	Base	1
2	IBGS-02	Post (includes #3 and #4)	1
3	IBGS-03	Insert Ring	2
4	IBGS-04	Pin	Ø4 x 14	2
5	IBGS-05	Water Pot Holder	1
6	IBGS-06	Water Pot	1
7	IBGS-07	Platform	1
8	TS-1540071	Hex Nut	M10	6
9	TS-1505041	Socket Head Cap Screw	M10 X 30	6
10	TS-1490071	Hex Cap Screw	M8 x 40	4
11	TS-1550061	Flat Washer	M8	8
12	TS-2361081	Lock Washer	M8	4
13	TS-1540061	Hex Nut	M8	4

12.3.1 DBG-Stand Assembly (OPTIONAL) – Exploded View



12.3.2 DBG-Stand Assembly (OPTIONAL) – Parts List

Index No.	Part No.	Description	Size	Qty
.....	578173	DBG-Stand for Bench Grinders (#1 thru 14)		1
1	DBGS-01	Platform		1
2	DBGS-02	Stamped Stand Front		1
3	DBGS-03	Base		1
4	DBGS-04	Stamped Stand Cover		1
5	DBGS-05	Water Pot Holder		1
6	IBGS-06	Water Pot		1
7	TS-0070011	Hex Cap Screw	1/2"-13 x 1"	8
8	TS-0720111	Lock Washer	1/2"	8
9	TS-081F032	Pan Head Machine Screw	1/4"-20 x 3/8"	6
10	TS-0051051	Hex Cap Screw	5/16"-18 x 1"	2
11	TS-0720081	Lock Washer	5/16"	6
12	TS-1490071	Hex Cap Screw	M8 x 40	4
13	TS-2361081	Lock Washer	M8	8
14	TS-2311081	Hex Nut	M8	4