



# Operating Instructions and Parts Manual 3-Wheel Belt Grinder

Models BGB-142/248/260-1/260-3



Model BGB-248 shown

**JET**  
427 New Sanford Road  
LaVergne, Tennessee 37086  
Ph.: 800-274-6848  
[www.jettools.com](http://www.jettools.com)

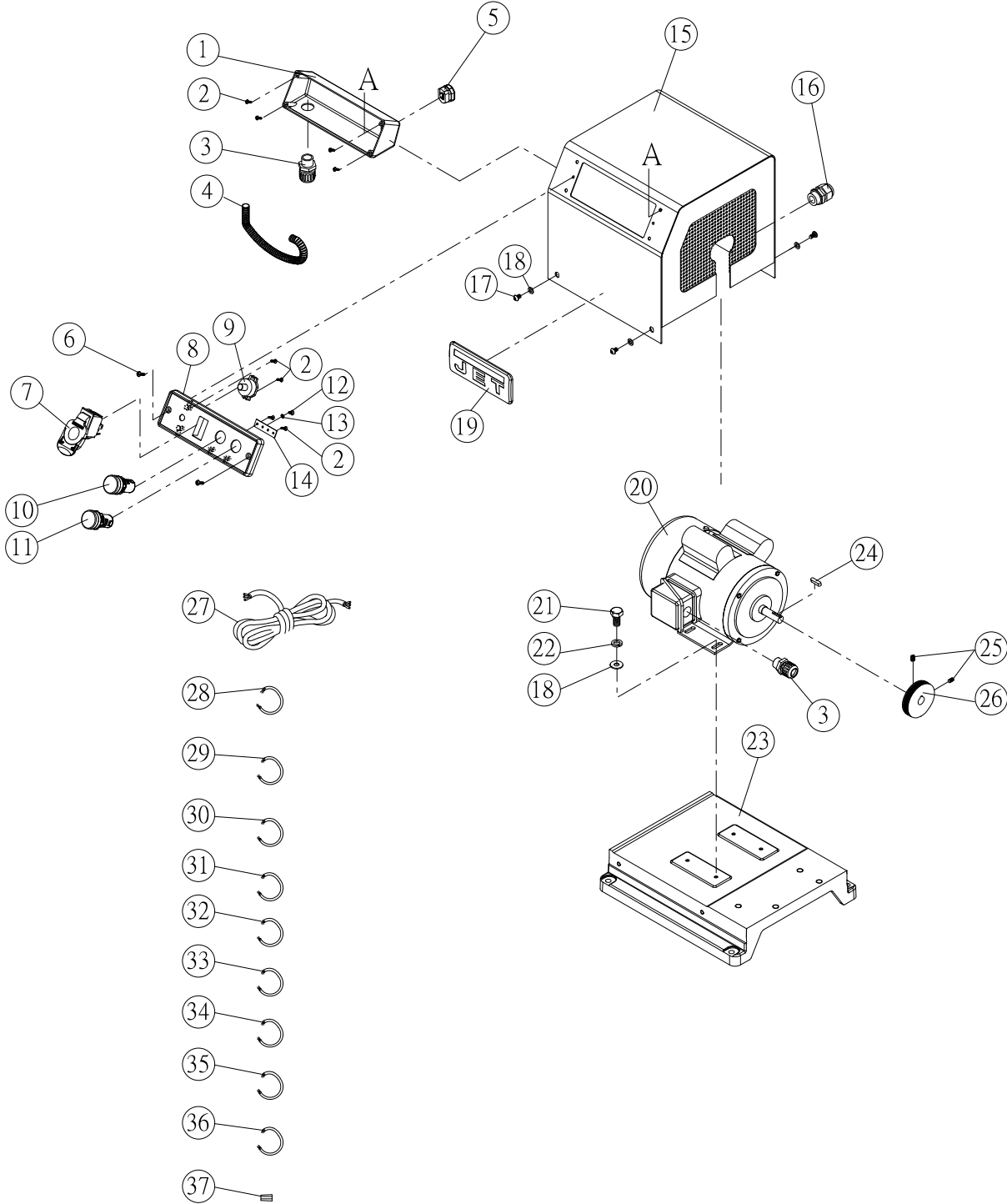
**Part No. M-577100**  
Edition 2 12/2016  
Copyright © 2016 JET

# 12.0 Replacement Parts

Replacement parts are listed on the following pages. To order parts or reach our service department, call 1-800-274-6848 Monday through Friday, 8:00 a.m. to 5:00 p.m. CST. Having the Model Number and Serial Number of your machine available when you call will allow us to serve you quickly and accurately.

Non-proprietary parts, such as fasteners, can be found at local hardware stores, or may be ordered from JET. Some parts are shown for reference only, and may not be available individually.

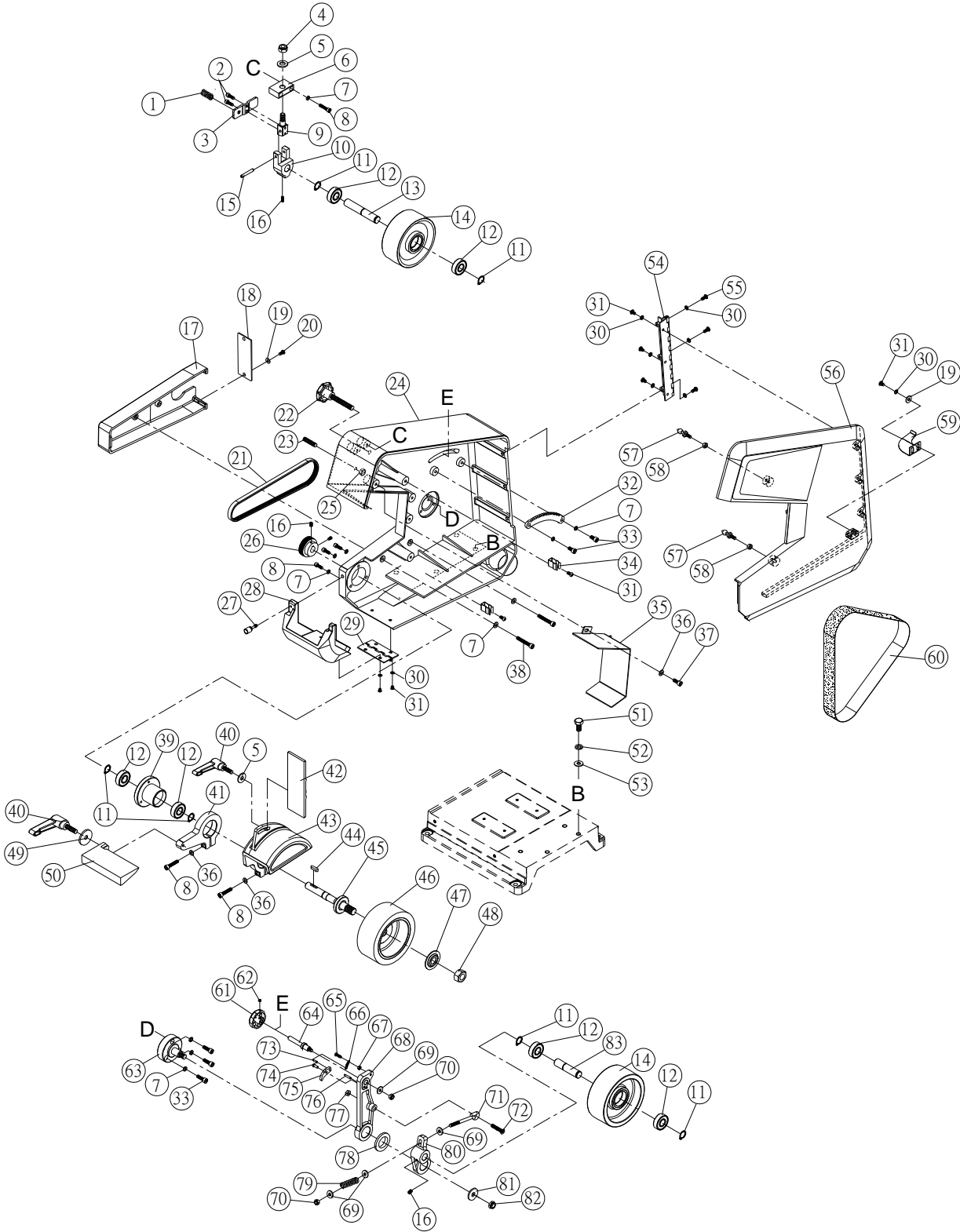
## 12.1.1 Motor and Base Assembly – Exploded View - Models BGB-142/248/260-1



### 12.1.3 Motor and Base Assembly – Parts List – Model BGB-248

Index No	Part No	Description	Size	Qty
1	BGB248-101	Switch Box		1
2	6295815	Phillips Round Hd Tapping Screw	M3 x 10L	8
3	BGB248-103	Strain Relief		1
4	BGB248-104	Cable Protection Pipe		1
5	BGB248-105	Strain Relief		1
6	F009887	Socket Head Button Screw	M5 x 0.8P x 16L	2
7	JSG96-135	Switch		1
	JSG96-135A	Switch Key (not shown)		1
8	BGB248-108	Control Panel (includes LM000254 label)		1
9	BGB248-109	Overload Protector		1
10	BGB248-110	Running Indication Light		1
11	BGB248-111	Power Indication Light		1
12	F000648	Phillips Pan Hd Machine Screw	#10-24UNC x 1/4"L	2
13	F002097	Lock Washer, Ext. Tooth	M5	2
14	BGB248-114	Copper Ground Plate		1
15	BGB248-115	Motor Shroud		1
16	BGB248-116	Strain Relief		1
17	TS-2248122	Socket Head Button Screw	M8 x 1.25 x 12L	4
18	TS-1550061	Flat Washer	8.5 x 20 x 1.5T	8
19	JET-138	JET Logo	138 x 57mm	1
20	BGB248-120	Motor	1HP, 115/230V, 1Ph	1
	BGB248-120SC	Starting Capacitor (not shown)	200MFD 125VAC	1
	BGB248-120SCC	Starting Capacitor Cover (not shown)		1
	BGB248-120RC	Running Capacitor (not shown)	45µF 250VAC	1
	BGB248-120RCC	Running Capacitor Cover (not shown)		1
	BGB248-120CF	Cooling Fan (not shown)		1
	BGB248-120FC	Fan Cover (not shown)		1
21	TS-2228161	Hex Cap Screw	M8 x 1.25P x 16L	4
22	TS-2361081	Lock Washer	M8	4
23	BGB248-123	Base		1
24	6296048	Key, Double Rd Head	5 x 5 x 25L mm	1
25	TS-1522021	Socket Head Set Screw	M5-0.8 x 8L	2
26	BGB248-126	Motor Pulley		1
27	BGB248-127	Power Cable		1
28	BGB248-128	Internal Cable	14AWG, 20cm, Black	2
29	BGB248-129	Internal Cable	14AWG, 20cm, White	2
30	BGB248-130	Internal Cable	14AWG, 50cm, Black	4
31	BGB248-131	Internal Cable	14AWG, 60cm, Green	1
32	BGB248-132	Internal Cable	14AWG, 10cm, Red	2
33	BGB248-133	Internal Cable	14AWG, 10cm, White	1
34	BGB248-134	Internal Cable	18AWG, 15cm, White	1
35	BGB248-135	Internal Cable	14AWG, 12cm, Black	1
36	BGB248-136	Internal Cable	18AWG, 10cm, Red	1
37	BGB248-137	Wiring Nut		5

12.4.1 Belt and Housing Assmly – Exploded View – Models BGB-248/260-1/260-3



## 12.4.2 Belt and Housing Assembly – Parts List – Model BGB-248

Index No	Part No	Description	Size	Qty
1	BGB248-201	Compression Spring		1
2	TS-1502031	Socket Head Cap Screw	M5 x 0.8P x 12L	2
3	BGB248-203	Supporting Plate		1
4	TS-1541031	Hex Nut, Nylon Lock	M8 x 1.25P	1
5	TS-1550061	Flat Washer	8.5 x 19 x 2T mm	2
6	BGB248-206	Fixed Bracket		1
7	TS-2361061	Lock Washer	M6	12
8	TS-1503061	Socket Head Cap Screw	M6 x 0.8P x 25L	7
9	BGB248-209	Pivoting Shaft		1
10	BGB248-210	Tracking Wheel Hub		1
11	6292752	Ext. Retaining Ring	STW-15	6
12	BB-6202ZZ	Ball Bearing	6202 ZZ	6
13	BGB248-213	Tracking Wheel Axle		1
14	BGB248-214	Tracking Wheel		2
15	5509829	Roll Pin	6 x 36L mm	1
16	TS-1523021	Socket Head Set Screw	M6 x 1.0P x 8L	3
17	BGB248-217	Pulley Cover		1
18	BGB248-218	Pulley Cover Rear Plate		1
19	TS-1550031	Flat Washer	5.1 x 12 x 1T mm	4
20	TS-1533032	Phillips Pan Hd Machine Screw	M5 x 0.8P x 10L	2
21	BGB248-221	Poly V-Belt		1
22	BGB248-222	Knob		1
23	F010433	Socket Head Set Screw	M8 x 1.25P x 40L	1
24	BGB248-224	Housing		1
25	TS-1541031	Hex Nut	M8 x 1.25P	1
26	BGB248-226	Spindle Pulley		1
27	BGB248-227	Knob Screw		1
28	BGB248-228	Dust Cover		1
29	BGB248-229	Hinge		1
30	TS-2361051	Lock Washer	M5	12
31	TS-2245102	Socket Head Button Screw	M5 x 0.8P x 10L	9
32	BGB248-232	Ratchet		1
33	TS-1503041	Socket Head Cap Screw	M6 x 1.0P x 16L	5
34	BGB248-234	Clip		2
35	BGB248-235	Spine Central Guard		1
36	TS-1550041	Flat Washer	6 x 12 x 1T mm	5
37	TS-1503021	Socket Head Cap Screw	M6 x 1.0P x 10L	3
38	TS-1503131	Socket Head Cap Screw	M6 x 1.0P x 60L	2
39	BGB248-239	Bearing Housing		1
40	BGB248-240	Universal Handle		2
41	BGB248-241	Table Support Arm		1
42	BGB248-242	Platen		1
43	BGB248-243	Contact Wheel Cover		1
44	6296048	Key, Double Rd Head	5 x 5 x 25L mm	1
45	BGB248-245	Contact Wheel Spindle		1
46	BGB248-246	Contact Wheel		1
47	BGB248-247	Flange Washer		1
48	TS-0561071	Hex Nut	5/8"-11UNC	1
49	TS-1550061	Flat Washer	8 x 30 x 3T mm	1
50	BGB248-250	Work Rest		1
51	TS-1492011	Hex Cap Screw	M12 x 1.75P x 25L	4
52	TS-2361121	Lock Washer	M12	4
53	TS-155009	Flat Washer	13.5 x 28 x 3T mm	4
54	BGB248-254	Continuous Hinge		1
55	TS-2246162	Socket Head Button Screw	M5 x 0.8P x 16L	3
56	BGB248-256	Side Cover		1
57	BGB248-257	Peg		2
58	TS-1540041	Hex Nut	M6 x 1.0P	2
59	BGB248-259	Door Latch		1
60	BGB248-260	Abrasive Belt	2"Wx48"L 120G	1

Index No	Part No	Description	Size	Qty
61	BGB248-261	Knob		1
62	F010391	Socket Head Set Screw	M5 x 0.8P x 5L	1
63	BGB248-263	Hub Supporting Shaft		1
64	BGB248-264	Rod		1
65	TS-1532052	Phillips Pan Hd Machine Screw	M4 x 0.7P x 16L	1
66	BGB248-266	Tension Spring		1
67	TS-1540021	Hex Nut	M4 x 0.7P	1
68	BGB248-268	Tension Wheel Arm		1
69	TS-1550041	Flat Washer	6.4 x 16 x 1.6T mm	4
70	TS-1541021	Hex Nut, Nylon Lock	M6 x 1.0P	2
71	BGB248-271	Spring Tension Adj. Rod		1
72	TS-134608	Phillips Flat Hd Machine Screw	1/4"-20UNC x 1-1/4"L	1
73	F012091	Roll Pin	3 x 10L mm	1
74	BGB248-274	Rivet		1
75	BGB248-275	Pawl		1
76	F012092	Roll Pin	3 x 18L mm	1
77	TS-0570011	Hex Nut	1/4"-20UNC	1
78	BGB248-278	Oilite Washer		1
79	BGB248-279	Compression Spring		1
80	BGB248-280	Tension Wheel Hub		1
81	TS-1550071	Flat Washer	10.2 x 30 x 3T	1
82	TS-0640091	Hex Nut, Nylon Lock	3/8"-16UNC	1
83	BGB248-283	Tension Wheel Axle		1
	LM000251	Warning Label (not shown)	2-1/2" x 5-1/4"	1
	LM000252	Belt Tracking Label (not shown)		1
	LM000253	Belt Tension Label (not shown)		1
	LM000254	Control Panel Label (not shown)		1
	LM000257	ID Label, BGB-248 (not shown)		1
	LM000258	Motor Label, BGB-248 (not shown)		1