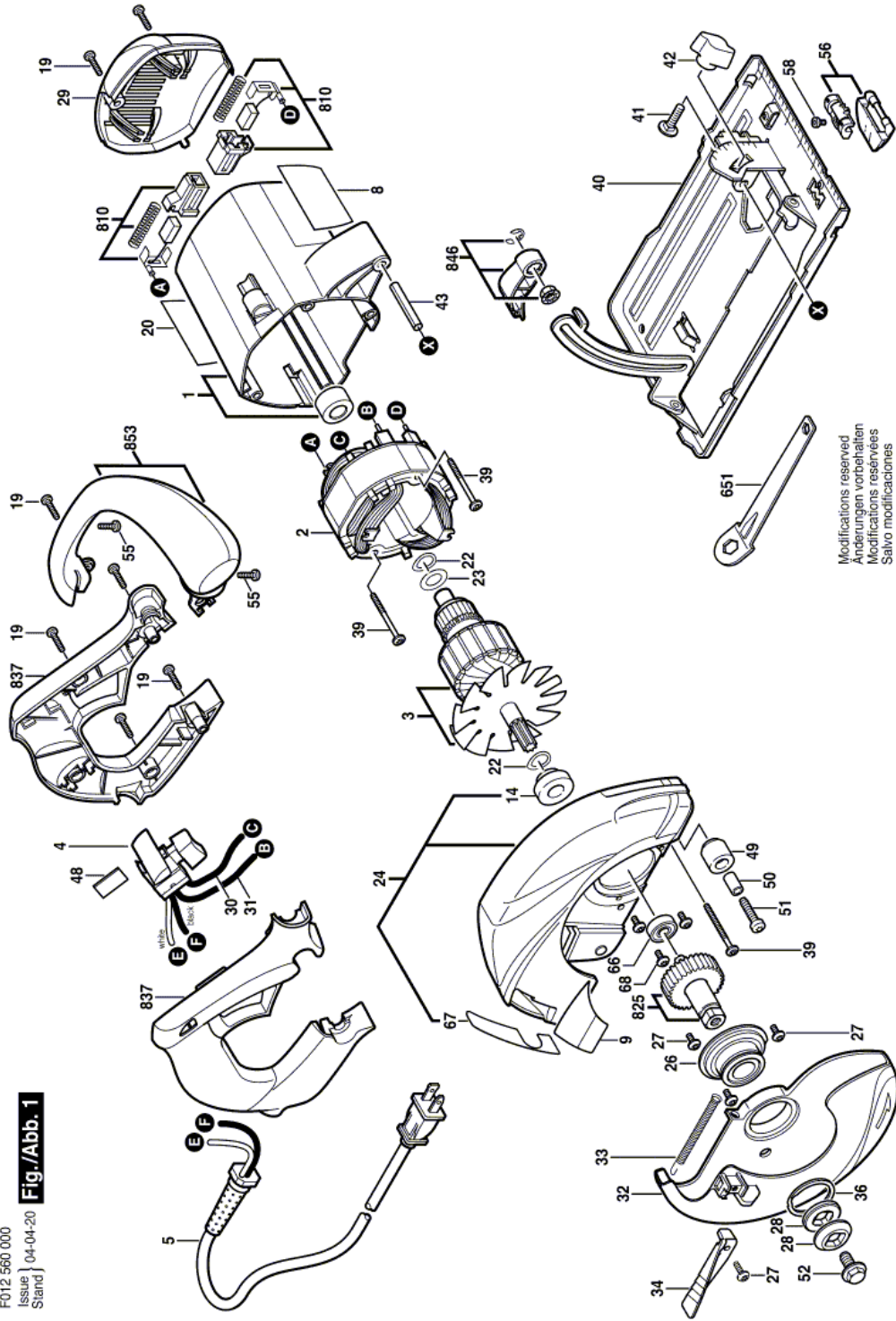


Item	Part Number	Description	Illustration	Price	Quantity
1	2 610 912 983	Housing		1,-,-	1
2	2 610 341 367	Field 120V		1,-,-	1
3	2 610 341 306	Armature 120V		1,-,-	1
4	2 610 917 325	Switch		1,-,-	1
5	2 610 915 148	Power supply cord		1,-,-	1
8	2 610 913 258	Manufacturer's nameplate		1,-,-	1
9	2 610 913 259	Reference Plate		1,-,-	1
14	2 610 356 680	Bearing Sleeve		1,-,-	1
19	1 619 P01 505	Screw		1,-,-	8
20	2 610 913 224	Reference Plate		1,-,-	1
22	2 610 313 808	Plain Washer		1,-,-	2
23	2 610 341 465	Washer		1,-,-	1
24	2 610 913 260	Guard Plate		1,-,-	1
26	1 619 X01 554	Bearing Plate		1,-,-	1
27	1 619 X01 786	Contact Screw		1,-,-	1
28	2 610 341 361	Supporting Disc		1,-,-	2
29	2 610 913 232	Motor Housing		1,-,-	1
30	2 610 341 377	Connecting Cable 385 MM		1,-,-	1
31	2 610 916 885	Connecting Cable		1,-,-	1
32	2 610 916 428	Guard Plate		1,-,-	1
33	2 610 914 057	Extension Spring		1,-,-	1
34	2 610 924 015	Lever		1,-,-	1
36	2 610 341 359	Spring retaining ring		1,-,-	1
39	2 610 347 103	Screw		1,-,-	6
40	1 619 X01 143	Base Plate		1,-,-	1
41	2 610 017 262	Round-Head Bolt		1,-,-	1
42	2 610 917 567	Knob		1,-,-	1
43	2 610 914 058	Roller Pin		1,-,-	1
48	2 610 347 892	Spacer		1,-,-	1
49	2 610 341 394	End stop		1,-,-	1
50	2 610 341 366	Spacer		1,-,-	1
51	2 610 347 100	Screw		1,-,-	1
52	1 619 X00 935	Hex Screw		1,-,-	1

Item	Part Number	Description	Illustration	Price	Quantity	
55	1 619 X00 504	Screw		1	-,-	1
56	2 610 920 315	Window		1	-,-	1
58	2 610 347 488	Screw		1	-,-	1
66	1 619 P01 511	Ball Bearing		1	-,-	1
67	2 610 913 300	Label		1	-,-	1
68	1 619 X01 786	Contact Screw		1	-,-	3
651	2 610 968 670	Box Wrench		1	-,-	1
810	2 610 993 156	Carbon-Brush Set		1	-,-	1
825	2 610 903 192	Gear Shaft		1	-,-	1
837	2 610 913 295	Set Of Handles		1	-,-	1
846	2 610 921 181	Lever		1	-,-	1
853	2 610 914 059	Auxiliary Handle		1	-,-	1

F012.560.000  
 Issue | 04-04-20  
 Stand

**Fig./Abb. 1**



Modifications reserved  
 Änderungen vorbehalten  
 Modifications réservées  
 Salvo modificaciones