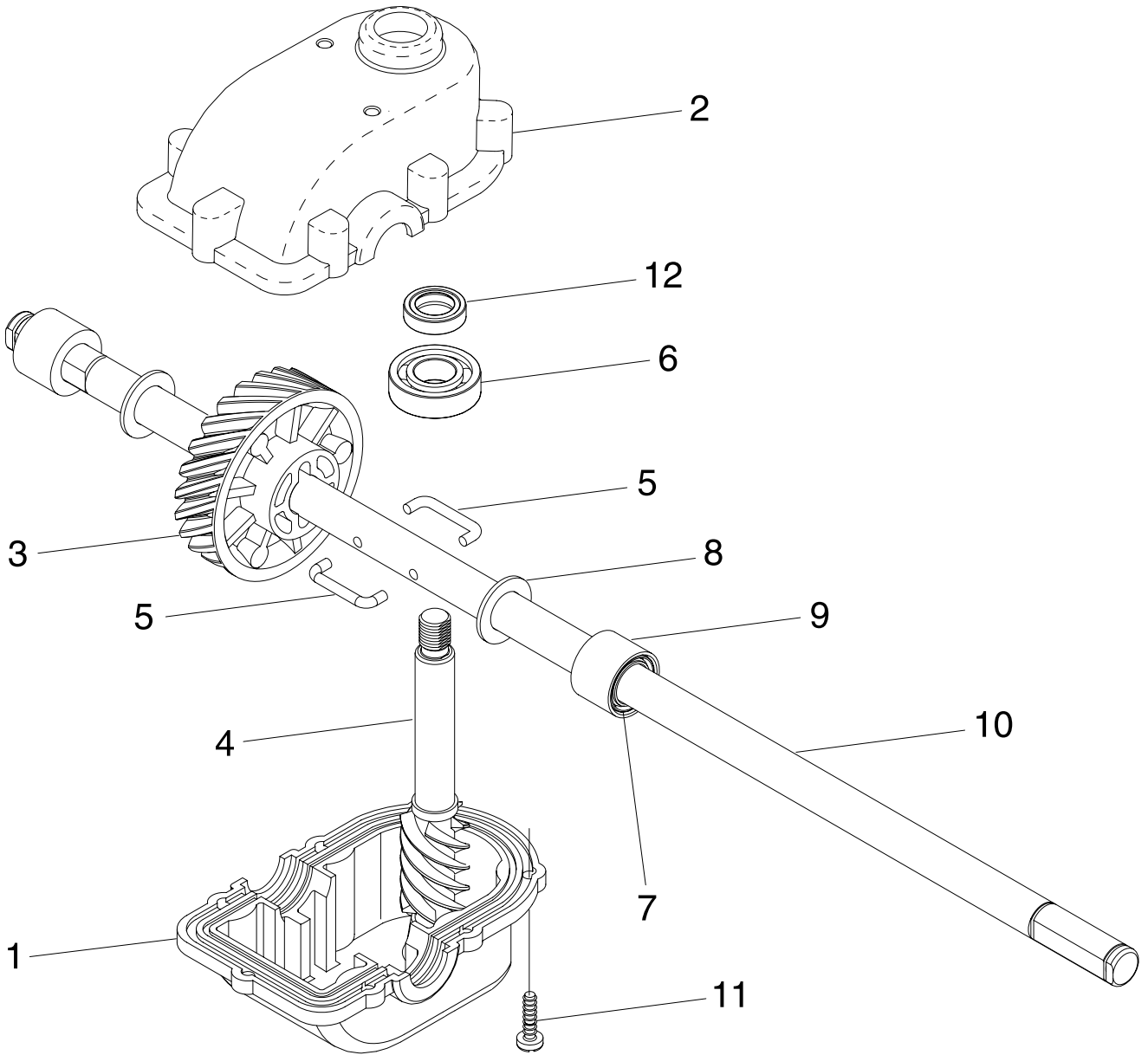


**ROTARY LAWN MOWER - - MODEL NUMBER 55R21HV (96143000502)**

**PRODUCT NUMBER 961 43 00-05**

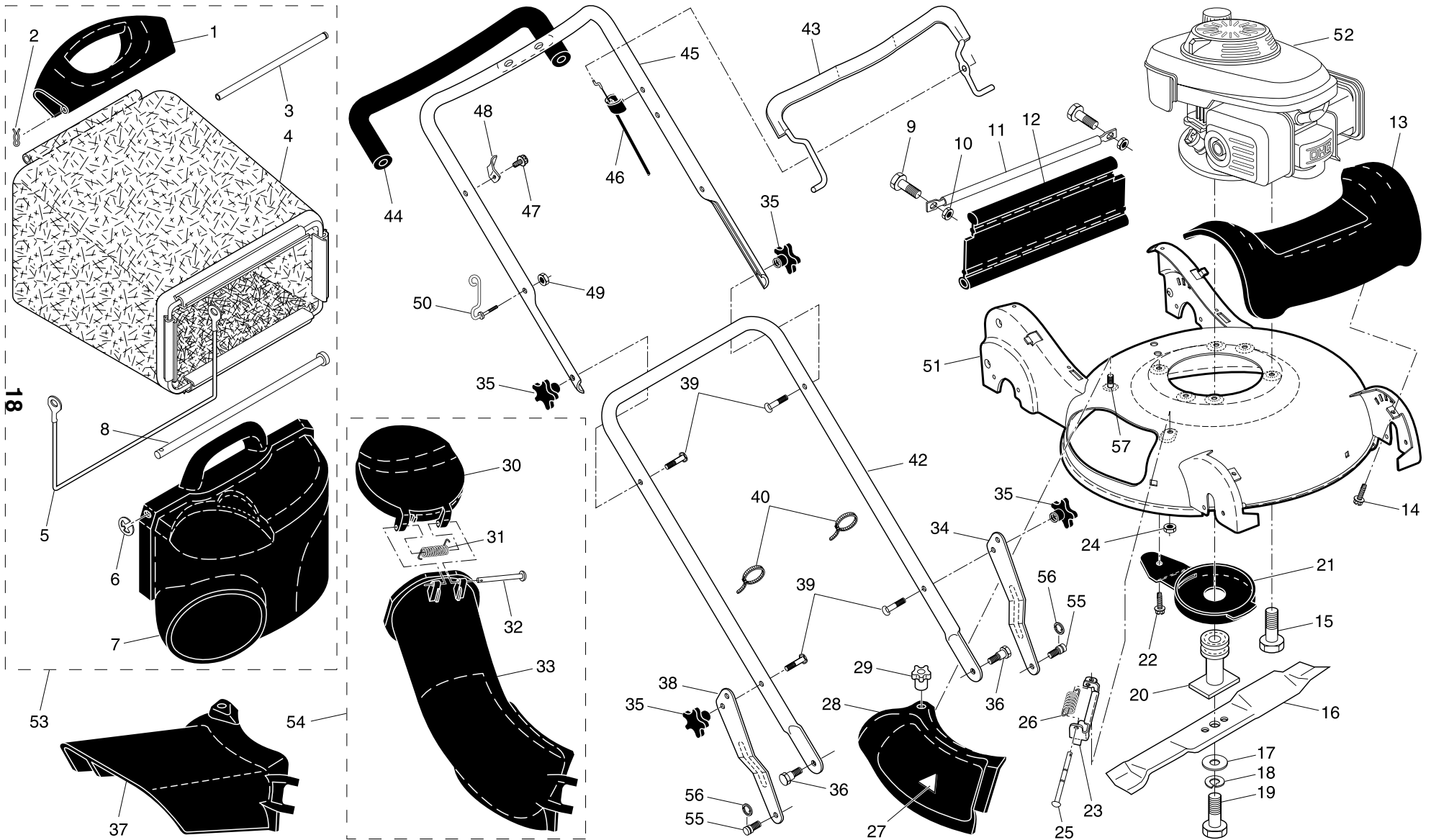
**GEAR CASE ASSEMBLY - - PART NUMBER 532 18 82-94**



KEY NO.	PART NO.	DESCRIPTION
1	532 18 75-30	Case, Lower
2	532 19 12-45	Case, Upper
3	532 18 75-32	Gear, 24 Teeth
4	532 19 12-46	Shaft, Worm
5	532 18 35-05	Wireform
6	532 18 35-06	Bearing, Ball
7	532 18 35-08	Seal, Output Shaft
8	532 18 35-09	Washer
9	532 18 35-11	Bushing
10	532 19 12-47	Shaft, Output
11	532 18 35-13	Screw
12	532 18 35-14	Seal, Worm Shaft
--	532 75 03-69	Grease, Texaco Starplex Premium 1 (Do not substitute) (1.4 ounce capacity)

**NOTE:** All component dimensions given in U.S. inches. 1 inch = 25.4 mm. **IMPORTANT:** Use only Original Equipment Manufacturer (O.E.M.) replacement parts. Failure to do so could be hazardous, damage your lawn mower and void your warranty.

# ROTARY LAWN MOWER - - MODEL NUMBER 55R21HV (96143000502) - PRODUCT NUMBER 961 43 00-05



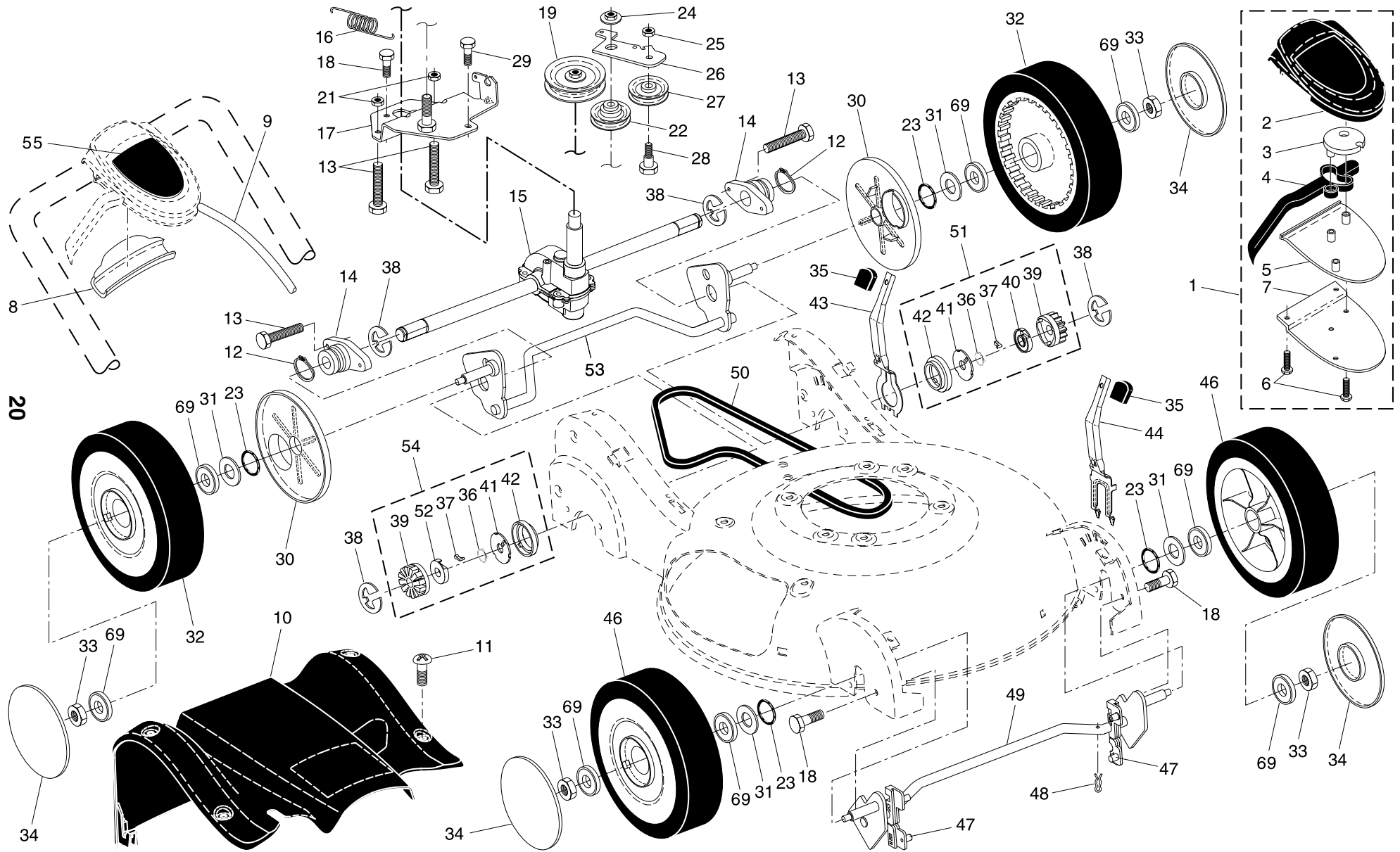
# ROTARY LAWN MOWER - - MODEL NUMBER **55R21HV** (96143000502) - PRODUCT NUMBER 961 43 00-05

KEY NO.	PART NO.	DESCRIPTION	KEY NO.	PART NO.	DESCRIPTION
1	532 19 05-82	Handle, Grassbag, Rear	32	532 18 34-45	Rod, Door, Discharge Chute
2	532 06 53-22	Hairpin Cotter	33	532 19 05-78	Discharge Chute, Plastic
3	532 18 34-83	Rod, Rear Handle, Grassbag	34	532 19 06-19	Adjustment Bracket, Lower Handle, LH
4	<b>532 40 16-84</b>	Grassbag	35	532 18 55-88	Knob, Star
5	532 18 85-06	Frame, Grassbag	36	532 18 34-65	Bolt, Shoulder
6	812 00 00-14	E-Ring	37	532 18 59-96	Deflector, Discharge
7	532 19 05-81	Door, Grassbag	38	532 19 06-21	Adjustment Bracket, Lower Handle, RH
8	532 18 34-79	Rod, Pivot	39	532 19 15-74	Bolt, Handle
9	872 14 04-05	Bolt	40	532 06 64-26	Wire Tie
10	873 80 04-00	Nut, Hex	42	532 18 70-96	Handle Assembly, Lower
11	532 19 06-92	Tube, Rear Skirt	43	532 18 62-98	Bail, Control
12	532 19 64-74	Skirt, Rear	44	532 18 27-48	Grip, Foam
13	532 19 05-19	Cover, Front	45	532 18 62-96	Handle Assembly, Upper (Includes Foam Grip)
14	<b>532 19 41-89</b>	Screw, Hex Washer Head	46	<b>532 19 77-40</b>	Cable, Engine Zone Control
15	532 15 04-06	Bolt, Engine Mounting	47	532 75 06-34	Screw
16	532 18 90-28	Blade, 21"	48	532 12 52-03	Bracket, Upstop
17	532 85 10-74	Washer, Hardened	49	532 13 20-04	Nut, Hex 1/4-20
18	532 85 02-63	Washer, Lock	50	532 18 85-01	Rope Guide
19	532 19 17-60	Screw, Hex Head, Grade 8	51	532 18 97-92	Kit, Housing
20	532 18 67-66	Adapter, Blade	52	- - -	Engine, Honda, Model Number GCV160 (For engine service and replacement parts, call Honda at 1-800-426-7701)
21	532 19 05-16	Debris Shield	53	<b>532 40 16-85</b>	Grassbag Assembly, Complete (Consists of Key Numbers 1-8)
22	817 60 04-06	Screw, Hex Head, Serrated	54	532 18 90-14	Discharge Chute Assembly, Complete (Consists of Key Numbers 30 through 33)
23	532 18 36-09	Mounting Bracket, Mulcher Door	55	<b>532 19 41-92</b>	Stud, Shoulder, T45
24	<b>532 19 17-30</b>	Nut, Hex	56	812 00 00-58	E-Ring, T45
25	532 18 34-45	Rod, Hinge	57	532 18 86-34	Stud, Threaded 1/4-20 x 5/8
26	532 18 34-46	Spring, Mulcher Door	--	532 16 23-00	Decal, Warning (not shown)
27	532 10 73-39	Decal, Danger	--	<b>532 40 10-35</b>	Owner's Manual, English / French
28	532 19 05-15	Mulcher Door			
29	532 18 34-47	Knob			
30	532 19 05-80	Door, Discharge Chute			
31	532 18 34-78	Spring, Door, Discharge Chute			

**NOTE:** All component dimensions given in U.S. inches. 1 inch = 25.4 mm.

**IMPORTANT:** Use only Original Equipment Manufacturer (O.E.M.) replacement parts. Failure to do so could be hazardous, damage your lawn mower and void your warranty.

# ROTARY LAWN MOWER - - MODEL NUMBER 55R21HV (96143000502) - PRODUCT NUMBER 961 43 00-05



# ROTARY LAWN MOWER - - MODEL NUMBER **55R21HV** (96143000502) - PRODUCT NUMBER 961 43 00-05

KEY NO.	PART NO.	DESCRIPTION	KEY NO.	PART NO.	DESCRIPTION
1	<b>532 19 70-12</b>	Drive Control Assembly, Complete (Consists of Key Numbers 2 through 7)	28	532 16 08-29	Bolt, Hex Head, Shoulder
2	<b>532 19 57-61</b>	Cover, Drive Control, Top	29	817 06 04-10	Screw 1/4-20 x 1/16
3	532 18 73-53	Pulley, Drive Control	30	532 18 34-57	Cover, Dust, Wheel
4	532 19 00-37	Lever, Drive Control (blue)	31	532 08 83-48	Washer, Flat 3/8
5	<b>532 19 57-62</b>	Cover, Drive Control, Bottom	32	<b>532 19 26-19</b>	Wheel Assembly, Rear 9 x 2-1/4
6	532 18 16-98	Screw, Torx Head #8-5/8	33	532 08 39-23	Nut, Hex
7	<b>532 40 07-23</b>	Bracket, Mounting, Drive Control	34	532 18 36-95	Hubcap
8	532 18 62-97	Cap, Drive Control, Bottom	35	532 18 59-94	Knob
9	<b>532 19 70-11</b>	Cable, Drive Control	36	532 18 82-91	Spring, Torsion
10	532 19 05-65	Cover Assembly, Drive	37	532 17 50-98	Pawl
11	<b>532 19 41-88</b>	Screw	38	812 00 00-58	E-Ring
12	812 00 00-12	Ring, Retaining	39	532 17 51-03	Gear
13	<b>532 19 41-86</b>	Screw	40	532 17 51-05	Retainer, Drive, LH
14	532 18 71-20	Bearing / Axle Support	41	532 17 51-04	Disc, Drive
15	532 18 82-94	Gear Case Assembly (See Breakdown)	42	532 18 41-72	Seal, Friction
16	532 19 41-24	Spring, Return	43	532 19 05-20	Lever, Selector, Wheel Height, Rear
17	532 19 61-91	Bracket, Gear Case / Drive Pulley	44	532 19 05-18	Lever, Selector, Wheel Height, Front
18	532 16 34-09	Screw	46	<b>532 19 22-30</b>	Wheel Assembly, Front 9 x 2-1/4
19	<b>532 19 41-28</b>	Pulley, Drive	47	532 18 34-38	Bushing, Front Axle
21	532 13 20-04	Nut, Hex	48	532 16 96-75	Retainer, Hairpin Cotter
22	532 19 37-91	Pulley Assembly, V-Groove	49	532 19 64-69	Torque Shaft Assembly, Front
23	532 18 81-52	O-Ring	50	532 18 36-88	Belt, Drive
24	532 14 52-12	Nut, Hex, Flangelock	51	532 18 83-31	Pinion Assembly, LH
25	873 93 05-00	Nut, Hex, Lock	52	532 17 51-02	Retainer, Drive, RH
26	532 19 65-42	Idler Arm	53	532 19 59-95	Rear Axle Assembly
27	532 16 60-43	Pulley, Idler	54	532 18 83-30	Pinion Assembly, RH
			55	532 18 90-74	Decal, Drive Control
			69	532 75 10-68	Bearing, Ball (Wheel)

**NOTE:** All component dimensions given in U.S. inches. 1 inch = 25.4 mm.

**IMPORTANT:** Use only Original Equipment Manufacturer (O.E.M.) replacement parts. Failure to do so could be hazardous, damage your lawn mower and void your warranty.