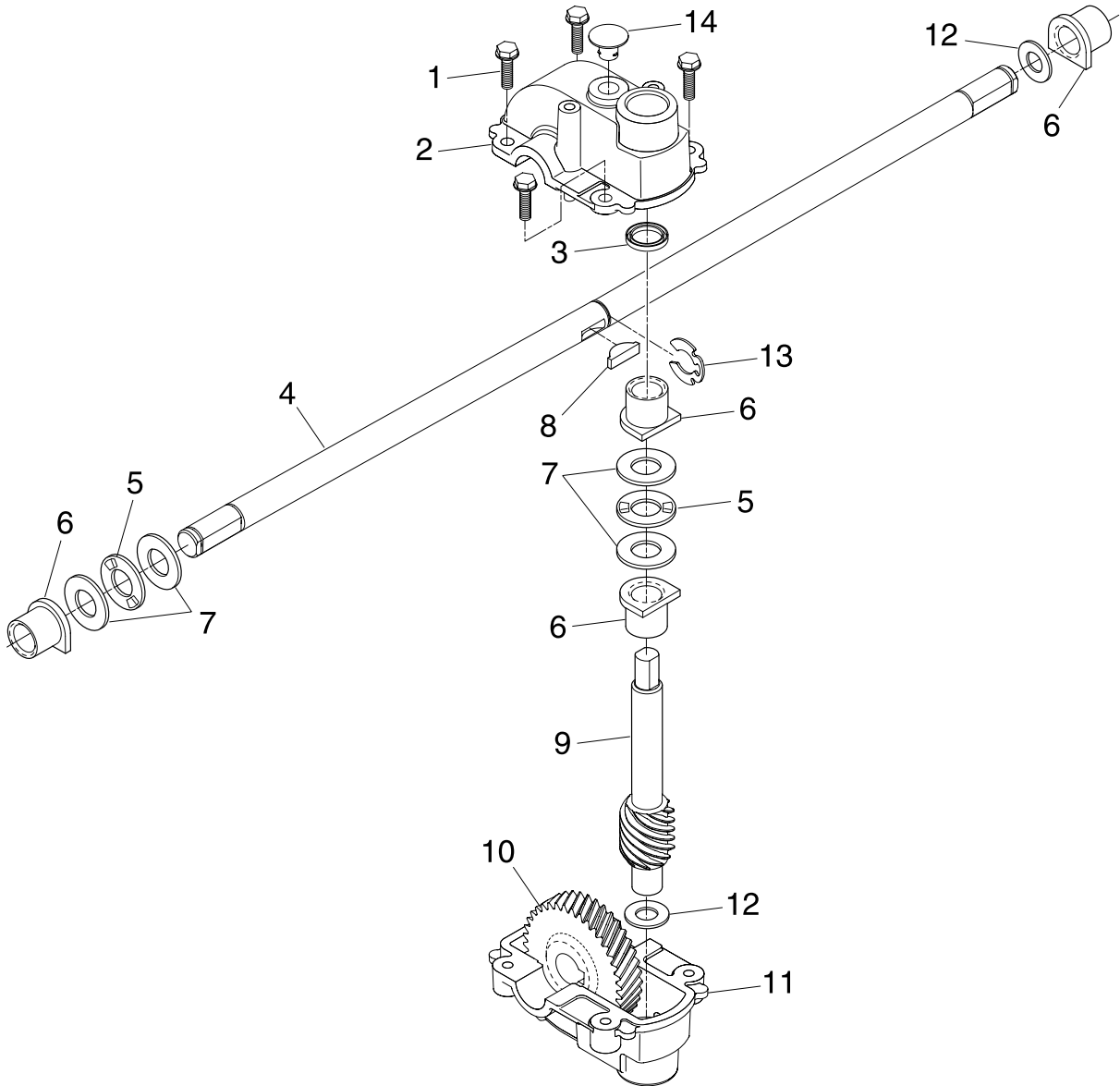


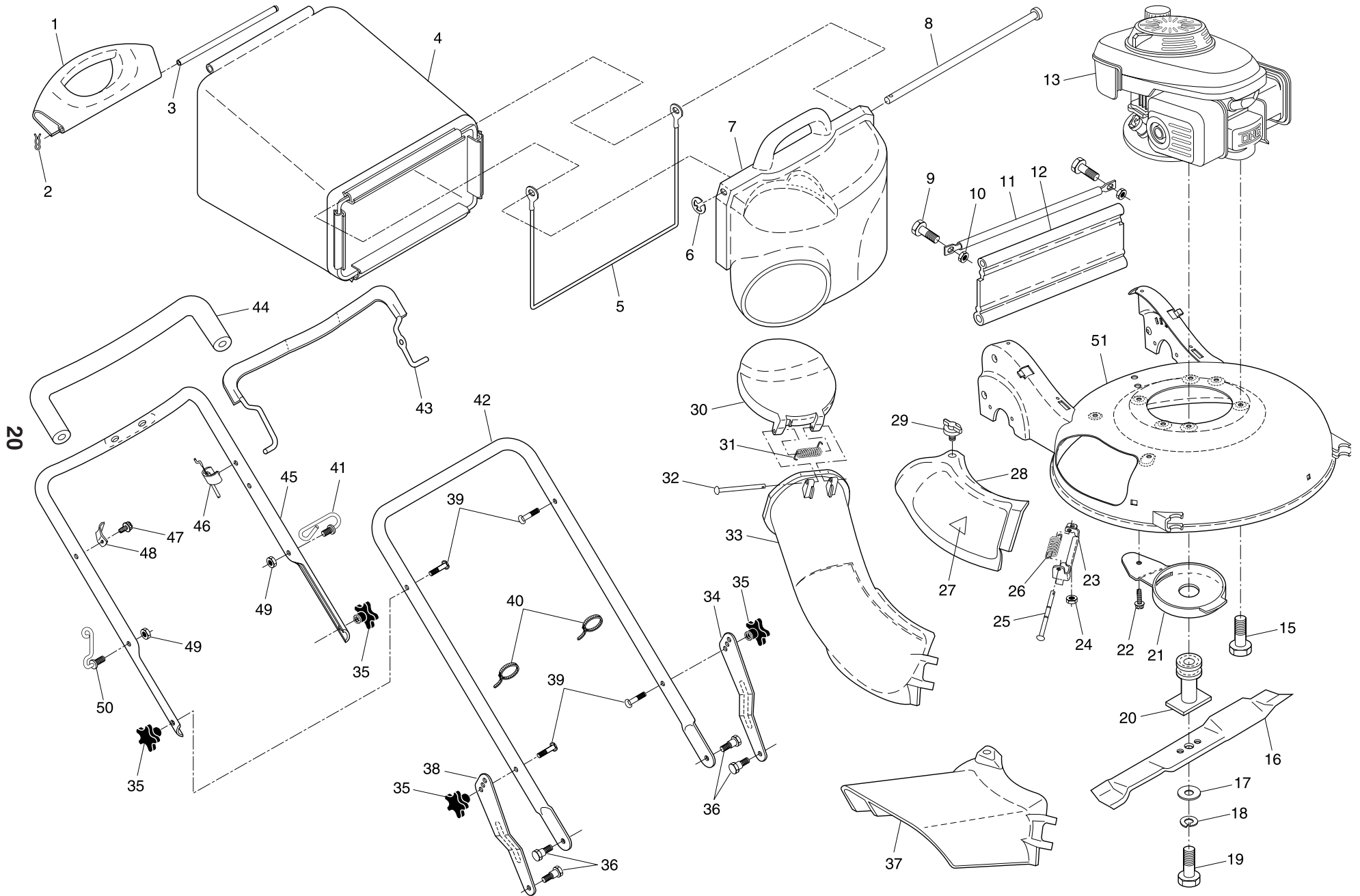
**ROTARY LAWN MOWER - - MODEL NUMBER 55C21HV (55C21HVA)  
 PRODUCT NUMBER 954 22 38-90  
 GEAR CASE ASSEMBLY - - PART NUMBER 532 18 36-99**



KEY NO.	PART NO.	DESCRIPTION
1	817 54 10-11	Screw, Tapping #10-24 x .668
2	532 16 06-72	Gear Case, Upper
3	532 05 70-72	Seal
4	532 18 39-08	Drive Shaft
5	532 16 08-18	Bearing, Needle, Thrust
6	532 07 78-81	Bearing
7	532 16 08-17	Washer, Thrust
8	532 85 08-48	Key, Hi-pro
9	532 18 41-34	Shaft, Worm
10	532 16 06-79	Gear, Helical
11	532 16 06-73	Gear Case, Lower
12	532 05 70-79	Washer, Hardened
13	812 00 00-39	E-Ring
14	532 08 64-47	Plug
--	532 75 03-69	Grease
--	532 18 42-08	Kit, Gearcase Replacement (Includes Grease)

**NOTE:** All component dimensions given in U.S. inches.  
 1 inch = 25.4 mm

# ROTARY LAWN MOWER - - MODEL NUMBER 55C21HV (55C21HVA), PRODUCT NUMBER 954 22 38-90



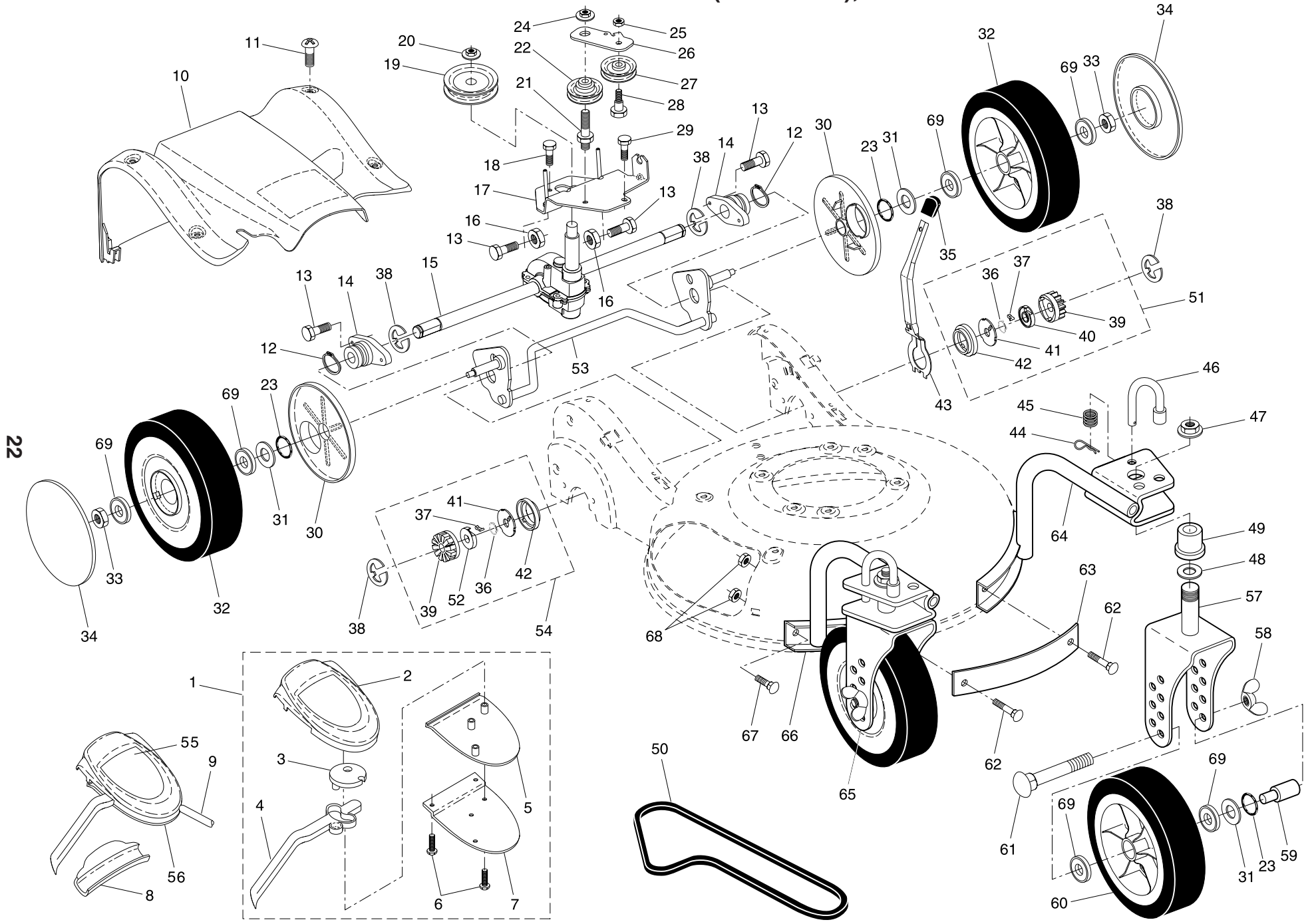
# ROTARY LAWN MOWER - - MODEL NUMBER 55C21HV (55C21HVA), PRODUCT NUMBER 954 22 38-90

21

KEY NO.	PART NO.	DESCRIPTION	KEY NO.	PART NO.	DESCRIPTION
1	<b>532 19 05-82</b>	Handle, Grassbag, Rear	28	<b>532 19 05-15</b>	Mulcher Door
2	532 06 53-22	Hairpin Cotter	29	532 18 34-47	Knob
3	532 18 34-83	Rod, Rear Handle, Grassbag	30	<b>532 19 05-80</b>	Door, Discharge Chute
4	<b>532 19 05-77</b>	Grassbag	31	532 18 34-78	Spring, Door, Discharge Chute
5	<b>532 18 85-06</b>	Frame, Grassbag	32	532 18 34-45	Rod, Door, Discharge Chute
6	812 00 00-14	E-Ring	33	<b>532 19 05-78</b>	Discharge Chute, Plastic
7	<b>532 19 05-81</b>	Door, Grassbag	--	<b>532 18 90-14</b>	Discharge Chute Assembly, Complete (Consists of Key Numbers 30-33)
8	532 18 34-79	Rod, Pivot	34	532 18 74-25	Adjustment Bracket, Lower Handle, LH
--	<b>532 19 05-79</b>	Grass Catcher Assembly, Complete (Consists of Key Numbers 1-8)	35	532 18 55-88	Knob, Star
9	<b>872 14 04-05</b>	Screw	36	532 18 34-65	Bolt, Shoulder
10	<b>873 80 04-00</b>	Nut, Hex, Nylock 1/4-20	37	532 18 59-96	Deflector, Discharge
11	<b>532 19 06-92</b>	Tube, Rear Skirt	38	532 18 74-26	Adjustment Bracket, Lower Handle, RH
12	<b>532 19 05-66</b>	Skirt, Rear	39	532 18 45-68	Bolt, Handle
13	---	Engine, Honda, Model Number GCV160 (for engine service and replacement parts, call Honda at 1-800-426-7701)	40	532 06 64-26	Wire Tie
15	532 15 04-06	Bolt, Engine Mounting	41	532 18 71-62	Bracket, Anti-Fold
16	532 15 92-67	Blade, 21"	42	532 18 70-96	Handle Assembly, Lower
17	532 85 10-74	Washer, Hardened	43	532 18 62-98	Bail, Control
18	532 85 02-63	Washer, Lock	44	532 18 27-48	Grip, Foam
19	532 18 34-31	Screw, Hex Head, Grade 8	45	532 18 62-96	Handle Assembly, Upper (Includes Foam Grip)
20	532 18 34-28	Adapter, Blade	46	532 18 34-73	Cable, Engine Zone Control
21	<b>532 19 05-16</b>	Debris Shield	47	532 18 45-70	Screw
22	817 60 04-06	Screw, Hex Head, Serrated	48	532 12 52-03	Bracket, Upstop
23	532 18 36-09	Mounting Bracket, Mulcher Door	49	532 18 45-69	Nut, Hex
24	532 75 11-52	Nut, Hex	50	<b>532 18 85-01</b>	Rope Guide
25	532 18 34-45	Rod, Hinge	51	<b>532 19 05-75</b>	Kit, Housing
26	532 18 34-46	Spring, Mulcher Door	--	532 16 23-00	Decal, Warning (not shown)
27	532 10 73-39	Decal, Danger	--	<b>532 18 92-91</b>	Owner's Manual

**NOTE:** All component dimensions given in U.S. inches.  
1 inch = 25.4 mm

# ROTARY LAWN MOWER - - MODEL NUMBER 55C21HV (55C21HVA), PRODUCT NUMBER 954 22 38-90



# ROTARY LAWN MOWER - - MODEL NUMBER 55C21HV (55C21HVA), PRODUCT NUMBER 954 22 38-90

KEY NO.	PART NO.	DESCRIPTION	KEY NO.	PART NO.	DESCRIPTION
1	532 18 53-12	Drive Control Assembly, Complete (Consists of Key Numbers 2 through 7)	36	532 18 82-91	Spring, Torsion
2	532 18 82-79	Cover, Drive Control, Top	37	532 17 50-98	Pawl
3	532 18 73-53	Pulley, Drive Control	38	812 00 00-58	E-Ring
4	<b>532 19 02-83</b>	Lever, Drive Control (blue)	39	532 17 51-03	Gear
5	532 18 82-78	Cover, Drive Control, Bottom	40	532 17 51-05	Retainer, Drive, LH
6	532 18 16-98	Screw, Torx Head #8-5/8	41	532 17 51-04	Disc, Drive
7	532 18 70-97	Bracket, Mounting, Drive Control	42	532 18 41-72	Seal, Friction
8	532 18 62-97	Cap, Drive Control, Bottom	43	<b>532 19 05-20</b>	Lever, Selector, Wheel Height, Rear
9	532 18 82-80	Cable, Drive Control	44	532 06 53-22	Hairpin
10	<b>532 19 05-65</b>	Cover Assembly, Drive	45	532 18 50-51	Spring
11	532 18 45-71	Screw, Hex Washer Head 1/4-20 x 1/2	46	532 18 50-54	Rod, Lock
12	812 00 00-12	Ring, Retaining	47	532 18 72-47	Nut, Hex, Flangelock
13	532 18 34-50	Screw	48	<b>532 18 89-06</b>	Washer, Flat 1/2
14	532 18 71-20	Bearing / Axle Support	49	532 18 84-35	Bushing
15	532 18 36-99	Gear Case Assembly (See Breakdown)	50	532 18 36-88	Belt, Drive
16	<b>532 13 20-04</b>	Nut, Hex	51	532 18 83-31	Pinion Assembly, LH
17	532 18 70-93	Bracket, Gear Case / Drive Pulley	52	532 17 51-02	Retainer, Drive, RH
18	817 54 10-11	Screw	53	532 18 70-91	Rear Axle Assembly
19	532 18 47-49	Pulley, Drive	54	532 18 83-30	Pinion Assembly, RH
20	532 13 20-10	Nut, Hex, Flangelock	55	<b>532 18 90-74</b>	Decal, Drive Control
21	<b>532 18 86-11</b>	Bolt, Idler	56	532 18 59-13	Decal, Drive Control Adjustment (bottom)
22	532 18 45-43	Pulley Assembly, V-Groove	57	532 18 86-82	Bracket, Caster Wheel, LH
23	532 18 81-52	O-Ring	58	532 18 72-48	Wing Nut 5/16-18
24	532 14 52-12	Nut, Hex, Flangelock	59	532 18 51-11	Spacer
25	873 93 05-00	Nut, Hex, Lock	60	532 18 64-40	Wheel Assembly, Front 9 x 2
26	532 18 70-98	Idler Arm	61	872 27 05-28	Bolt, Carriage 5/16-18 x 3-1/2
27	532 16 60-43	Pulley, Idler	62	532 18 74-74	Bolt, Carriage 5/16-18 x 7/8
28	532 16 08-29	Bolt, Hex Head, Shoulder	63	532 18 84-75	Strap, Front
29	817 06 04-10	Screw 1/4-20 x 1/16	64	532 18 86-81	Support Tube Assembly, LH
30	532 18 34-57	Cover, Dust, Wheel	65	532 18 86-84	Bracket, Caster Wheel, RH
31	532 08 83-48	Washer, Flat 3/8	66	532 18 86-83	Support Tube Assembly, RH
32	<b>532 18 86-31</b>	Wheel Assembly, Rear 9 x 2-1/4	67	532 18 75-55	Bolt, Carriage 5/16-18 x 5/8
33	532 08 39-23	Nut, Hex	68	532 18 72-63	Nut, Hex 5/16
34	532 18 36-95	Hubcap	69	<b>532 75 10-68</b>	Bearing, Ball (Wheel)
35	532 18 59-94	Knob			

**NOTE:** All component dimensions given in U.S. inches.  
1 inch = 25.4 mm