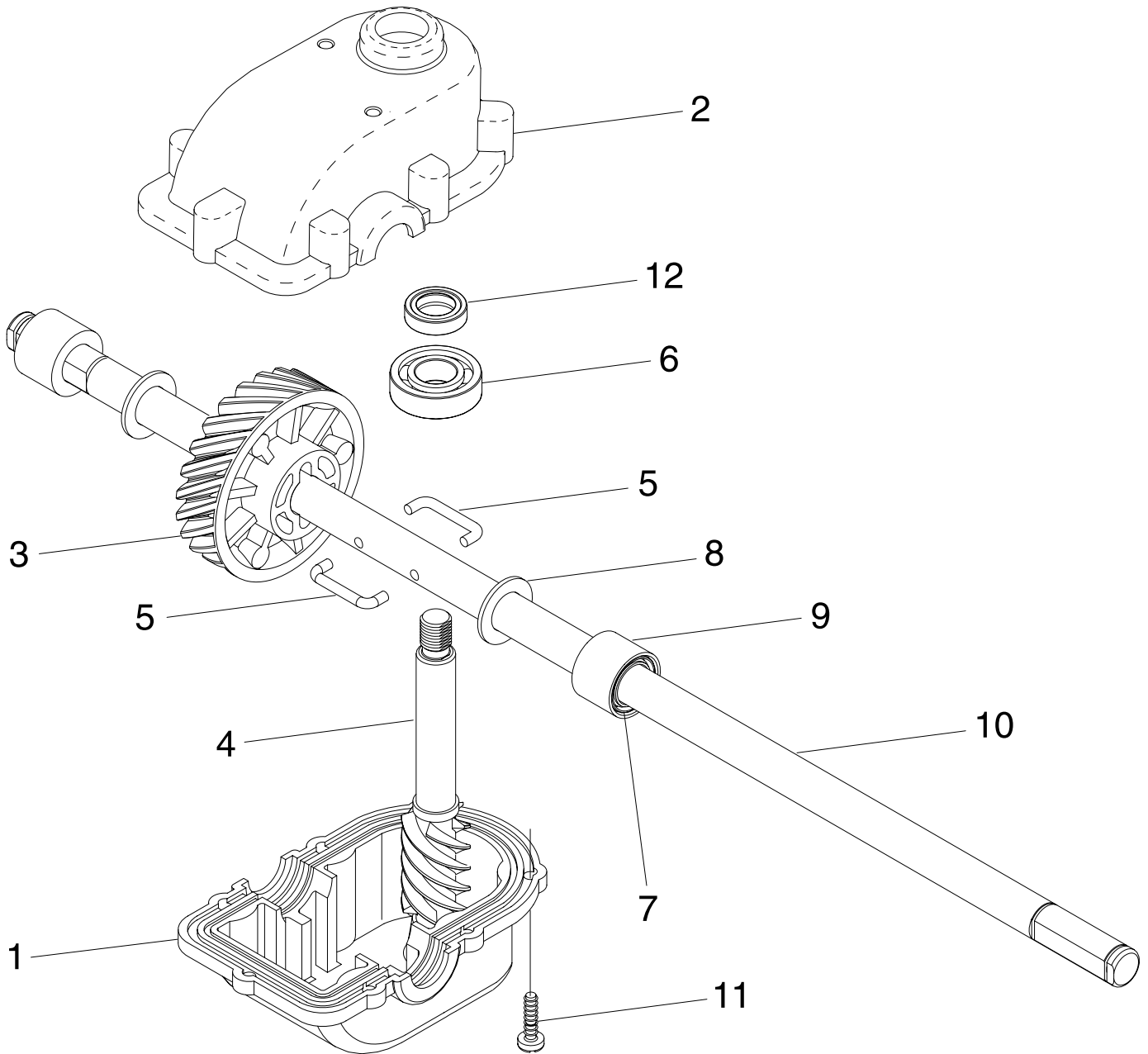


ROTARY LAWN MOWER - - MODEL NUMBER 55B21HV (55B21HVC)

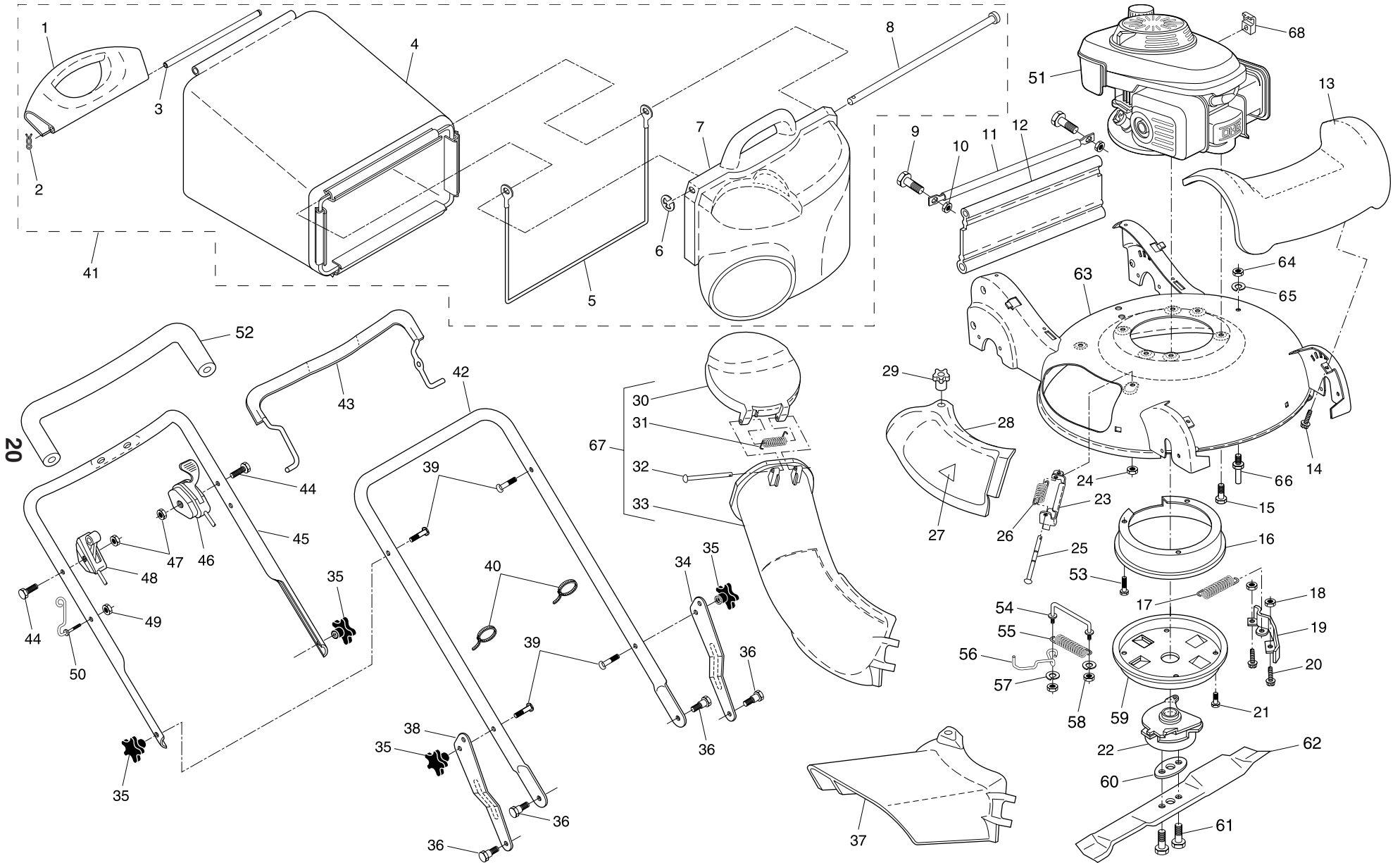
PRODUCT NUMBER 954 22 32-27

GEAR CASE ASSEMBLY - - PART NUMBER 532 18 82-94



KEY NO.	PART NO.	DESCRIPTION
1	532 18 75-30	Case, Lower
2	532 19 12-45	Case, Upper
3	532 18 75-32	Gear, 24 Teeth
4	532 19 12-46	Shaft, Worm
5	532 18 35-05	Wireform
6	532 18 35-06	Bearing, Ball
7	532 18 35-08	Seal, Output Shaft
8	532 18 35-09	Washer
9	532 18 35-11	Bushing
10	532 19 12-47	Shaft, Output
11	532 18 35-13	Screw
12	532 18 35-14	Seal, Worm Shaft
--	532 75 03-69	Grease, Texaco Starplex Premium 1 (Do not substitute) (1.4 ounce capacity)

ROTARY LAWN MOWER - - MODEL NUMBER 55B21HV (55B21HVC) - PRODUCT NUMBER 954 22 32-27



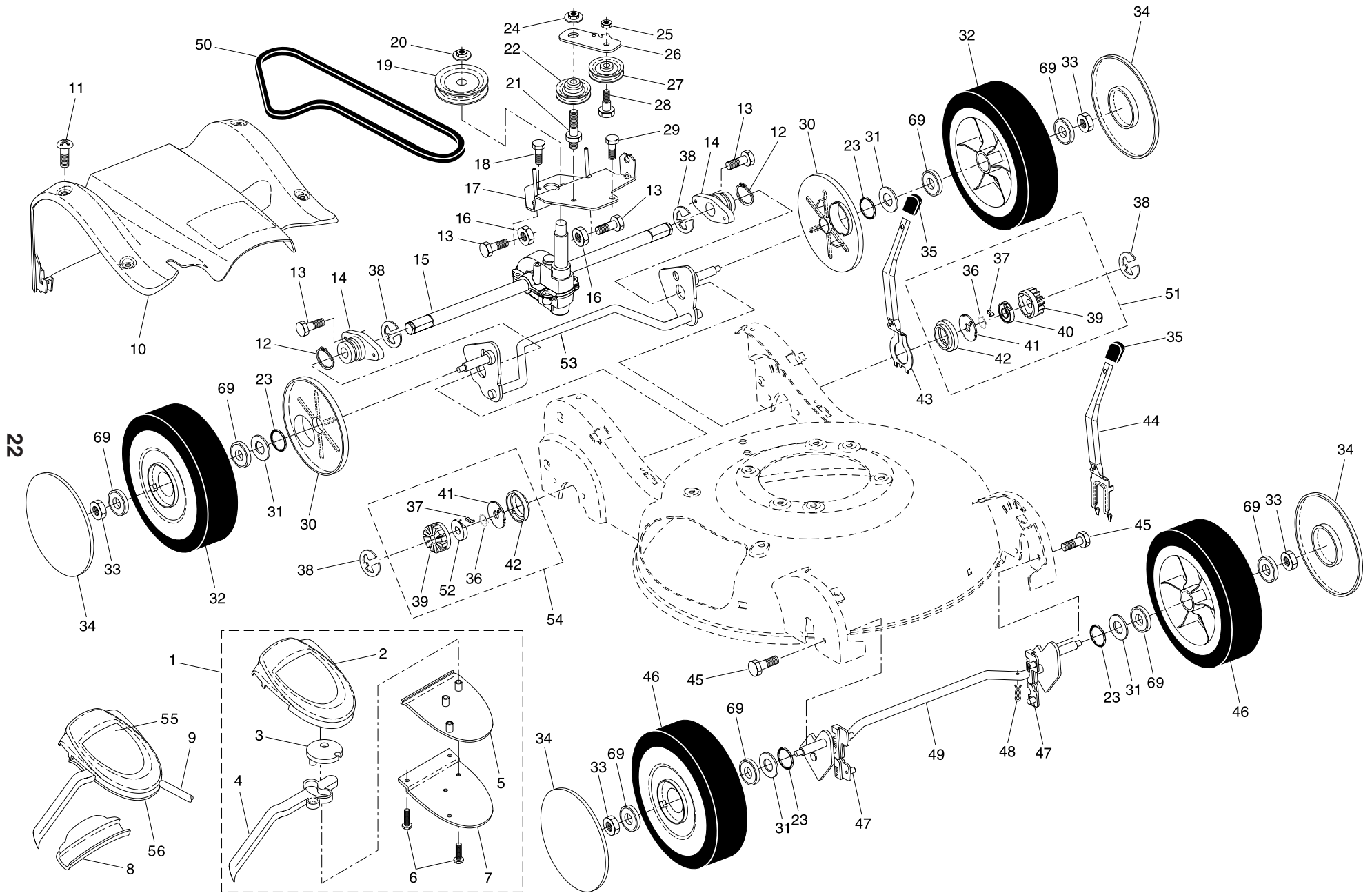
ROTARY LAWN MOWER - - MODEL NUMBER 55B21HV (55B21HVC) - PRODUCT NUMBER 954 22 32-27

21

KEY NO.	PART NO.	DESCRIPTION	KEY NO.	PART NO.	DESCRIPTION
1	532 19 05-82	Handle, Grassbag, Rear	39	532 18 45-68	Bolt, Handle
2	532 06 53-22	Hairpin Cotter	40	532 06 64-26	Wire Tie
3	532 18 34-83	Rod, Rear Handle, Grassbag	41	532 19 05-79	Grassbag Assembly, Complete (Consists of Key Numbers 1-8)
4	532 19 05-77	Grassbag	42	532 18 70-96	Handle Assembly, Lower
5	532 18 85-06	Frame, Grassbag	43	532 18 62-99	Bail, Control
6	812 00 00-14	E-Ring	44	532 18 74-99	Screw
7	532 19 05-81	Door, Grassbag	45	532 18 62-96	Handle Assembly, Upper (Includes Foam Grip)
8	532 18 34-79	Rod, Pivot	46	532 18 37-07	Blade Brake Control
9	872 14 04-05	Screw	47	532 18 45-69	Nut, Hex
10	873 80 04-00	Nut, Hex	48	532 19 12-57	Throttle Control
11	532 19 06-92	Tube, Rear Skirt	49	532 18 45-69	Nut, Hex
12	532 19 05-66	Skirt, Rear	50	532 18 85-01	Rope Guide
13	532 19 05-19	Cover, Front	51	- - -	Engine, Honda, Model Number GCV160 (For engine service and replacement parts, call Honda at 1-800-426-7701)
14	532 18 45-72	Screw, Hex Washer Head	52	532 18 27-48	Grip, Foam
15	532 15 04-06	Bolt, Engine Mounting	53	532 15 04-06	Bolt, Engine
16	532 19 09-30	Belt Cover, Upper	54	532 18 01-88	Link, Torque
17	532 18 03-93	Spring	55	532 18 03-94	Spring
18	873 90 04-00	Nut, Hex	56	532 18 85-45	Belt Keeper
19	532 19 09-29	Brake, Clutch	57	532 05 39-98	Washer, Lock
20	874 78 04-10	Bolt, Hex Head	58	873 51 06-00	Nut, Hex
21	532 75 00-97	Screw	59	532 19 09-31	Belt Cover, Lower
22	- - -	Blade Brake / Clutch (For service and replacement parts, call Honda at 1-800-426-7701)	60	532 18 50-46	Spacer, Blade
23	532 18 36-09	Mounting Bracket, Mulcher Door	61	532 18 62-91	Bolt, Hex Head
24	532 75 11-52	Nut, Hex	62	532 18 04-59	Blade, 21"
25	532 18 34-45	Rod, Hinge	63	532 19 06-82	Kit, Housing
26	532 18 34-46	Spring, Mulcher Door	64	873 90 06-00	Nut, Hex 3/8-16
27	532 10 73-39	Decal, Danger	65	532 85 02-63	Washer, Lock
28	532 19 05-15	Mulcher Door	66	532 18 21-31	Stud, Belt Guide
29	532 18 34-47	Knob	67	532 18 90-14	Discharge Chute Assembly, Complete (Consists of Key Numbers 30-33)
30	532 19 05-80	Door, Discharge Chute	68	532 19 09-03	Bracket, Throttle
31	532 18 34-78	Spring, Door, Discharge Chute	--	532 16 23-00	Decal, Warning (not shown)
32	532 18 34-45	Rod, Door, Discharge Chute	--	532 19 09-02	Owner's Manual
33	532 19 05-78	Discharge Chute, Plastic			
34	532 19 06-19	Adjustment Bracket, Lower Handle, LH			
35	532 18 55-88	Knob, Star			
36	532 18 34-65	Bolt, Shoulder			
37	532 18 59-96	Deflector, Discharge			
38	532 19 06-21	Adjustment Bracket, Lower Handle, RH			

NOTE: All component dimensions given in U.S. inches.
1 inch = 25.4 mm

ROTARY LAWN MOWER - - MODEL NUMBER 55B21HV (55B21HVC) - PRODUCT NUMBER 954 22 32-27



ROTARY LAWN MOWER - - MODEL NUMBER 55B21HV (55B21HVC) - PRODUCT NUMBER 954 22 32-27

23

KEY NO.	PART NO.	DESCRIPTION	KEY NO.	PART NO.	DESCRIPTION
1	532 18 53-12	Drive Control Assembly, Complete (Consists of Key Numbers 2 through 7)	30	532 18 34-57	Cover, Dust, Wheel
2	532 18 82-79	Cover, Drive Control, Top	31	532 08 83-48	Washer, Flat 3/8
3	532 18 73-53	Pulley, Drive Control	32	532 18 86-31	Wheel Assembly, Rear 9 x 2-1/4
4	532 19 02-83	Lever, Drive Control (blue)	33	532 08 39-23	Nut, Hex
5	532 18 82-78	Cover, Drive Control, Bottom	34	532 18 36-95	Hubcap
6	532 18 16-98	Screw, Torx Head #8 x 5/8	35	532 18 59-94	Knob
7	532 18 70-97	Bracket, Mounting, Drive Control	36	532 18 82-91	Spring, Torsion
8	532 18 62-97	Cap, Drive Control, Bottom	37	532 17 50-98	Pawl
9	532 18 82-80	Cable, Drive Control	38	812 00 00-58	E-Ring
10	532 19 05-65	Cover Assembly, Drive	39	532 17 51-03	Pinion, Gear
11	532 18 45-71	Screw	40	532 17 51-05	Retainer, Drive, LH
12	812 00 00-12	Ring, Retaining	41	532 17 51-04	Disc, Drive
13	532 18 34-50	Screw	42	532 18 41-72	Seal, Friction
14	532 18 71-20	Bearing / Axle Support	43	532 19 05-20	Lever, Selector, Wheel Height, Rear
15	532 18 82-94	Gear Case Assembly (See Breakdown)	44	532 19 05-18	Lever, Selector, Wheel Height, Front
16	532 13 20-04	Nut, Hex	45	532 16 34-09	Screw
17	532 19 11-81	Bracket, Gear Case / Drive Pulley	46	532 18 43-69	Wheel Assembly, Front 9 x 2-1/4
18	532 16 34-09	Screw	47	532 18 34-38	Bushing, Front Axle
19	532 18 45-43	Pulley, Drive	48	532 16 96-75	Retainer, Hairpin Cotter
20	532 14 52-12	Nut, Hex, Flangelock	49	532 18 70-89	Torque Shaft Assembly, Front
21	532 18 86-11	Bolt, Idler	50	532 18 36-88	Belt, Drive
22	532 18 94-08	Pulley Assembly, V-Groove	51	532 18 83-31	Pinion Assembly, LH
23	532 18 81-52	O-Ring	52	532 17 51-02	Retainer, Drive, RH
24	532 13 20-10	Nut, Hex, Flangelock	53	532 18 70-91	Rear Axle Assembly
25	873 93 05-00	Nut, Hex, Lock	54	532 18 83-30	Pinion Assembly, RH
26	532 18 70-98	Idler Arm	55	532 18 90-74	Decal, Drive Control
27	532 16 60-43	Pulley, Idler	56	532 18 59-13	Decal, Drive Control Adjustment (bottom)
28	532 16 08-29	Bolt, Hex Head, Shoulder	69	532 75 10-68	Bearing, Ball (Wheel)
29	817 06 04-10	Screw 1/4-20 x 1/16			

NOTE: All component dimensions given in U.S. inches.
1 inch = 25.4 mm