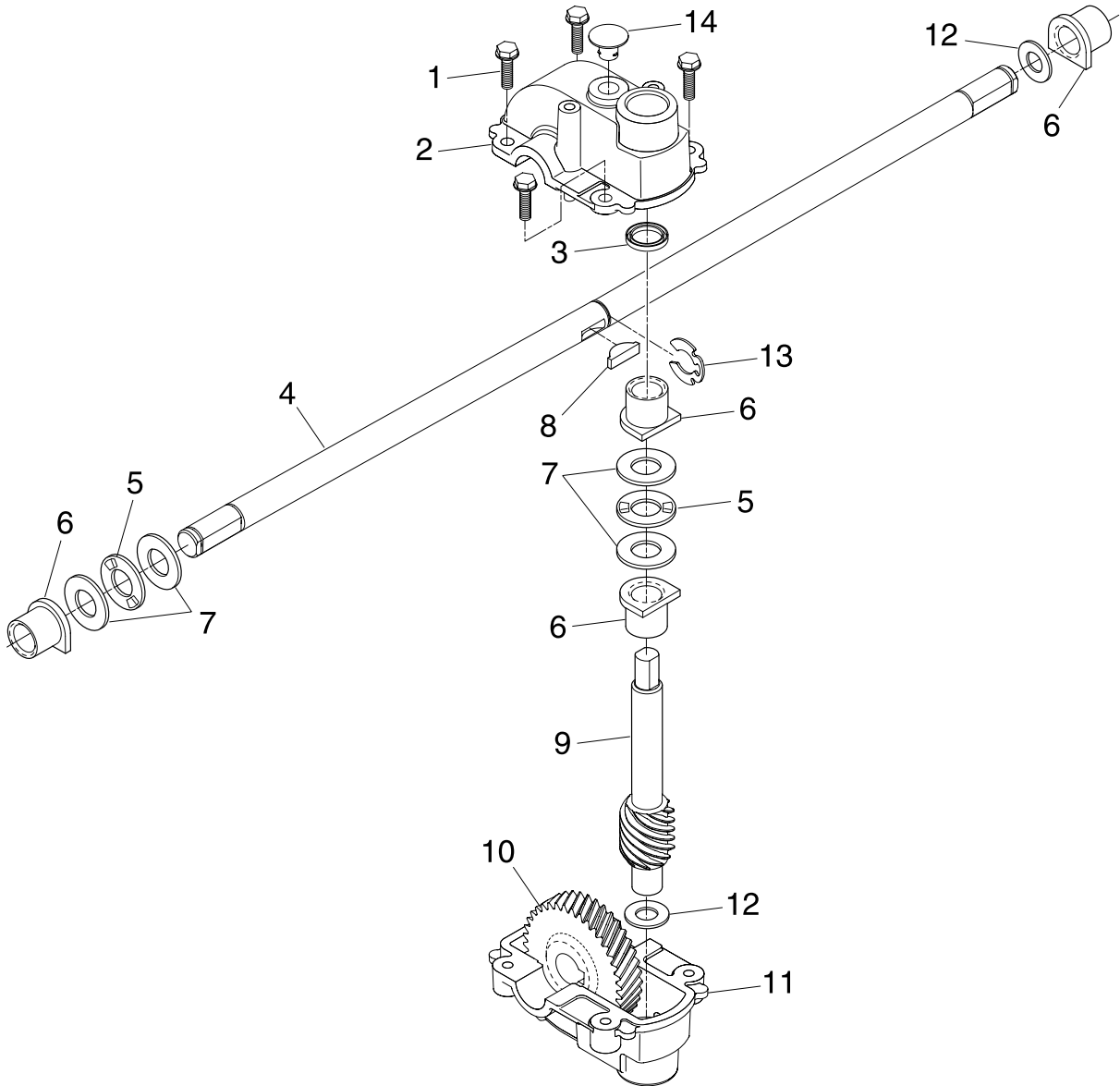


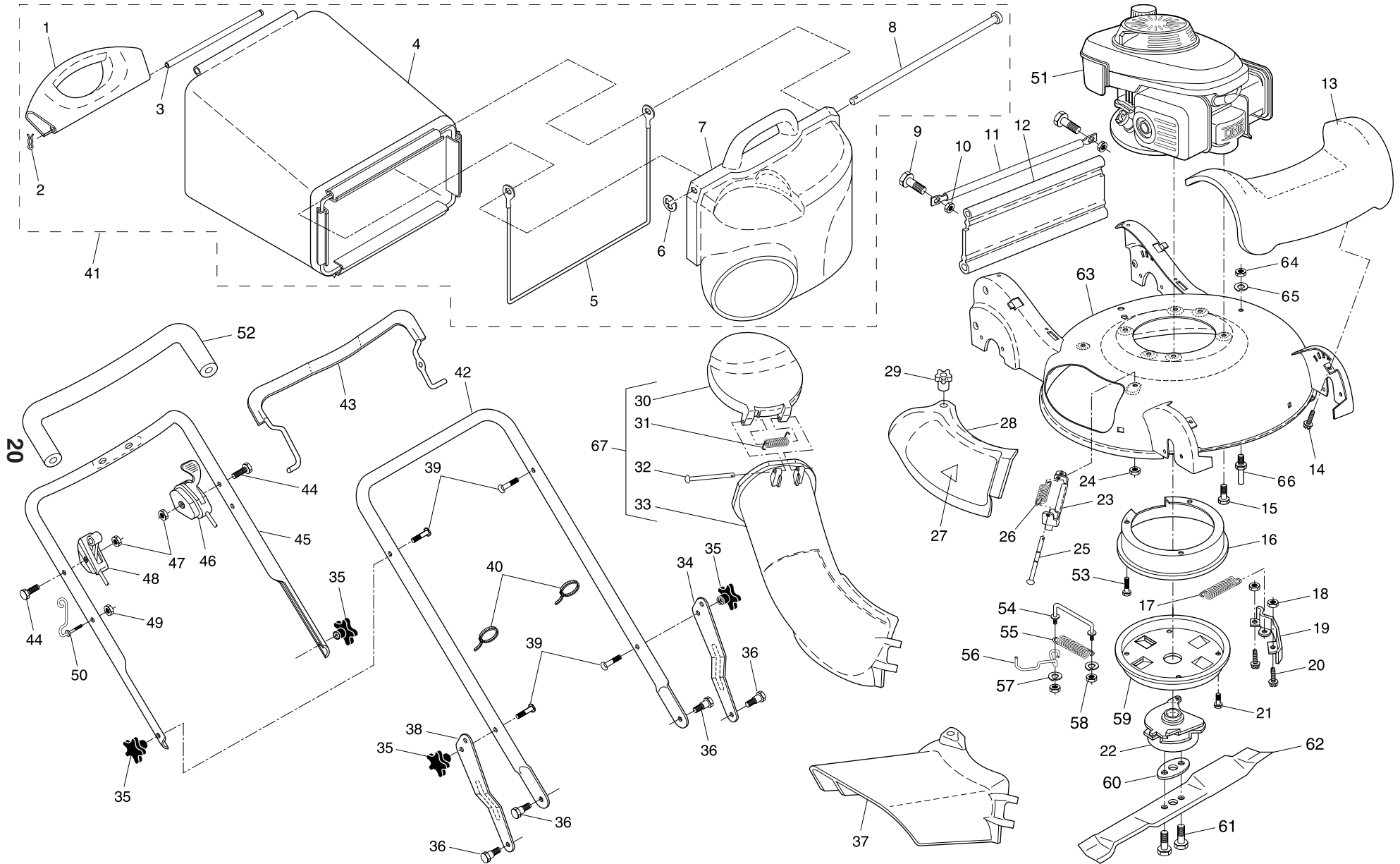
**ROTARY LAWN MOWER - - MODEL NUMBER 55B21HV (55B21HVB)  
 PRODUCT NUMBER 954 22 32-27  
 GEAR CASE ASSEMBLY - - PART NUMBER 532 18 36-99**



KEY NO.	PART NO.	DESCRIPTION
1	817 54 10-11	Screw, Tapping #10-24 x .668
2	532 16 06-72	Gear Case, Upper
3	532 05 70-72	Seal
4	532 18 39-08	Drive Shaft
5	532 16 08-18	Bearing, Needle, Thrust
6	532 07 78-81	Bearing
7	532 16 08-17	Washer, Thrust
8	532 85 08-48	Key, Hi-pro
9	532 18 41-34	Shaft, Worm
10	532 16 06-79	Gear, Helical
11	532 16 06-73	Gear Case, Lower
12	532 05 70-79	Washer, Hardened
13	812 00 00-39	E-Ring
14	532 08 64-47	Plug
--	532 75 03-69	Grease
--	532 18 42-08	Kit, Gearcase Replacement (Includes Grease)

**NOTE:** All component dimensions given in U.S. inches.  
 1 inch = 25.4 mm

# ROTARY LAWN MOWER - - MODEL NUMBER 55B21HV (55B21HVB) - PRODUCT NUMBER 954 22 32-27

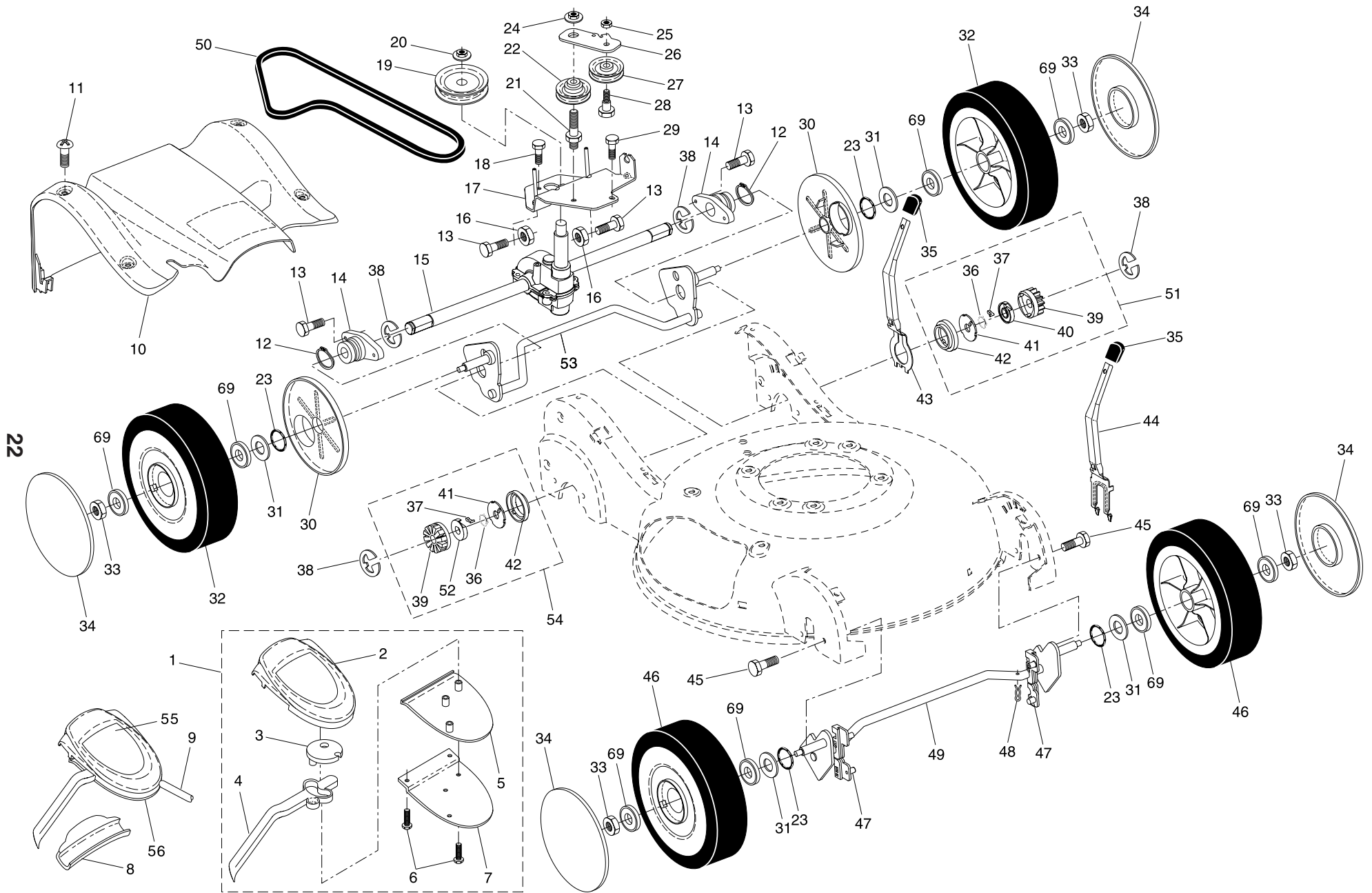


# ROTARY LAWN MOWER - - MODEL NUMBER 55B21HV (55B21HVB) - PRODUCT NUMBER 954 22 32-27

KEY NO.	PART NO.	DESCRIPTION	KEY NO.	PART NO.	DESCRIPTION
1	<b>532 19 05-82</b>	Handle, Grassbag, Rear	38	<b>532 19 06-21</b>	Adjustment Bracket, Lower Handle, RH
2	532 06 53-22	Hairpin Cotter	39	532 18 45-68	Bolt, Handle
3	532 18 34-83	Rod, Rear Handle, Grassbag	40	532 06 64-26	Wire Tie
4	<b>532 19 05-77</b>	Grassbag	41	<b>532 19 05-79</b>	Grassbag Assembly, Complete (Consists of Key Numbers 1-8)
5	<b>532 18 85-06</b>	Frame, Grassbag	42	532 18 70-96	Handle Assembly, Lower
6	812 00 00-14	E-Ring	43	532 18 62-99	Bail, Control
7	<b>532 19 05-81</b>	Door, Grassbag	44	532 18 74-99	Screw
8	532 18 34-79	Rod, Pivot	45	532 18 62-96	Handle Assembly, Upper (Includes Foam Grip)
9	<b>872 14 04-05</b>	Screw	46	532 18 37-07	Blade Brake Control
10	<b>873 80 04-00</b>	Nut, Hex	47	532 18 45-69	Nut, Hex
11	<b>532 19 06-92</b>	Tube, Rear Skirt	48	<b>532 18 76-36</b>	Throttle Control
12	<b>532 19 05-66</b>	Skirt, Rear	49	532 18 45-69	Nut, Hex
13	<b>532 19 05-19</b>	Cover, Front	50	<b>532 18 85-01</b>	Rope Guide
14	532 18 45-72	Screw, Hex Washer Head	51	- - -	Engine, Honda, Model Number GCV160 (For engine service and replacement parts, call Honda at 1-800-426-7701)
15	532 15 04-06	Bolt, Engine Mounting	52	532 18 27-48	Grip, Foam
16	<b>532 19 09-30</b>	Belt Cover, Upper	53	<b>532 15 04-06</b>	Bolt, Engine
17	532 18 03-93	Spring	54	532 18 01-88	Link, Torque
18	873 90 04-00	Nut, Hex	55	532 18 03-94	Spring
19	<b>532 19 09-29</b>	Brake, Clutch	56	<b>532 18 85-45</b>	Belt Keeper
20	874 78 04-10	Bolt, Hex Head	57	532 05 39-98	Washer, Lock
21	532 75 00-97	Screw	58	873 51 06-00	Nut, Hex
22	- - -	Blade Brake / Clutch (For service and replacement parts, call Honda at 1-800-426-7701)	59	<b>532 19 09-31</b>	Belt Cover, Lower
23	532 18 36-09	Mounting Bracket, Mulcher Door	60	532 18 50-46	Spacer, Blade
24	532 75 11-52	Nut, Hex	61	532 18 62-91	Bolt, Hex Head
25	532 18 34-45	Rod, Hinge	62	532 18 04-59	Blade, 21"
26	532 18 34-46	Spring, Mulcher Door	63	<b>532 19 06-82</b>	Kit, Housing
27	532 10 73-39	Decal, Danger	64	873 90 06-00	Nut, Hex 3/8-16
28	<b>532 19 05-15</b>	Mulcher Door	65	532 85 02-63	Washer, Lock
29	532 18 34-47	Knob	66	532 18 21-31	Stud, Belt Guide
30	<b>532 19 05-80</b>	Door, Discharge Chute	67	<b>532 18 90-14</b>	Discharge Chute Assembly, Complete (Consists of Key Numbers 30-33)
31	532 18 34-78	Spring, Door, Discharge Chute	- -	532 16 23-00	Decal, Warning (not shown)
32	532 18 34-45	Rod, Door, Discharge Chute	- -	<b>532 18 90-56</b>	Owner's Manual
33	<b>532 19 05-78</b>	Discharge Chute, Plastic			
34	<b>532 19 06-19</b>	Adjustment Bracket, Lower Handle, LH			
35	532 18 55-88	Knob, Star			
36	532 18 34-65	Bolt, Shoulder			
37	532 18 59-96	Deflector, Discharge			

**NOTE:** All component dimensions given in U.S. inches.  
1 inch = 25.4 mm

# ROTARY LAWN MOWER - - MODEL NUMBER 55B21HV (55B21HVB) - PRODUCT NUMBER 954 22 32-27



# ROTARY LAWN MOWER - - MODEL NUMBER 55B21HV (55B21HVB) - PRODUCT NUMBER 954 22 32-27

23

KEY NO.	PART NO.	DESCRIPTION	KEY NO.	PART NO.	DESCRIPTION
1	<b>532 18 53-12</b>	Drive Control Assembly, Complete (Consists of Key Numbers 2 through 7)	30	532 18 34-57	Cover, Dust, Wheel
2	<b>532 18 82-79</b>	Cover, Drive Control, Top	31	<b>532 08 83-48</b>	Washer, Flat 3/8
3	532 18 73-53	Pulley, Drive Control	32	<b>532 18 86-31</b>	Wheel Assembly, Rear 9 x 2-1/4
4	<b>532 19 02-83</b>	Lever, Drive Control (blue)	33	532 08 39-23	Nut, Hex
5	<b>532 18 82-78</b>	Cover, Drive Control, Bottom	34	532 18 36-95	Hubcap
6	532 18 16-98	Screw, Torx Head #8 x 5/8	35	532 18 59-94	Knob
7	<b>532 18 70-97</b>	Bracket, Mounting, Drive Control	36	<b>532 18 82-91</b>	Spring, Torsion
8	<b>532 18 62-97</b>	Cap, Drive Control, Bottom	37	532 17 50-98	Pawl
9	<b>532 18 82-80</b>	Cable, Drive Control	38	812 00 00-58	E-Ring
10	<b>532 19 05-65</b>	Cover Assembly, Drive	39	532 17 51-03	Pinion, Gear
11	532 18 45-71	Screw	40	532 17 51-05	Retainer, Drive, LH
12	812 00 00-12	Ring, Retaining	41	532 17 51-04	Disc, Drive
13	532 18 34-50	Screw	42	532 18 41-72	Seal, Friction
14	532 18 71-20	Bearing / Axle Support	43	<b>532 19 05-20</b>	Lever, Selector, Wheel Height, Rear
15	532 18 36-99	Gear Case Assembly (See Breakdown)	44	<b>532 19 05-18</b>	Lever, Selector, Wheel Height, Front
16	532 75 10-68	Bearing, Ball (Wheel)	45	532 16 34-09	Screw
17	532 18 70-93	Bracket, Gear Case / Drive Pulley	46	532 18 43-69	Wheel Assembly, Front 9 x 2-1/4
18	817 54 10-11	Screw	47	532 18 34-38	Bushing, Front Axle
19	<b>532 18 45-43</b>	Pulley, Drive	48	532 16 96-75	Retainer, Hairpin Cotter
20	532 14 52-12	Nut, Hex, Flangelock	49	532 18 70-89	Torque Shaft Assembly, Front
21	<b>532 18 86-11</b>	Bolt, Idler	50	532 18 36-88	Belt, Drive
22	<b>532 18 94-08</b>	Pulley Assembly, V-Groove	51	<b>532 18 83-31</b>	Pinion Assembly, LH
23	<b>532 18 81-52</b>	O-Ring	52	532 17 51-02	Retainer, Drive, RH
24	532 13 20-10	Nut, Hex, Flangelock	53	<b>532 18 70-91</b>	Rear Axle Assembly
25	873 93 05-00	Nut, Hex, Lock	54	<b>532 18 83-30</b>	Pinion Assembly, RH
26	532 18 70-98	Idler Arm	55	<b>532 18 90-74</b>	Decal, Drive Control
27	532 16 60-43	Pulley, Idler	56	<b>532 18 59-13</b>	Decal, Drive Control Adjustment (bottom)
28	532 16 08-29	Bolt, Hex Head, Shoulder	69	<b>532 75 10-68</b>	Bearing, Ball (Wheel)
29	817 06 04-10	Screw 1/4-20 x 1/16			

**NOTE:** All component dimensions given in U.S. inches.  
1 inch = 25.4 mm