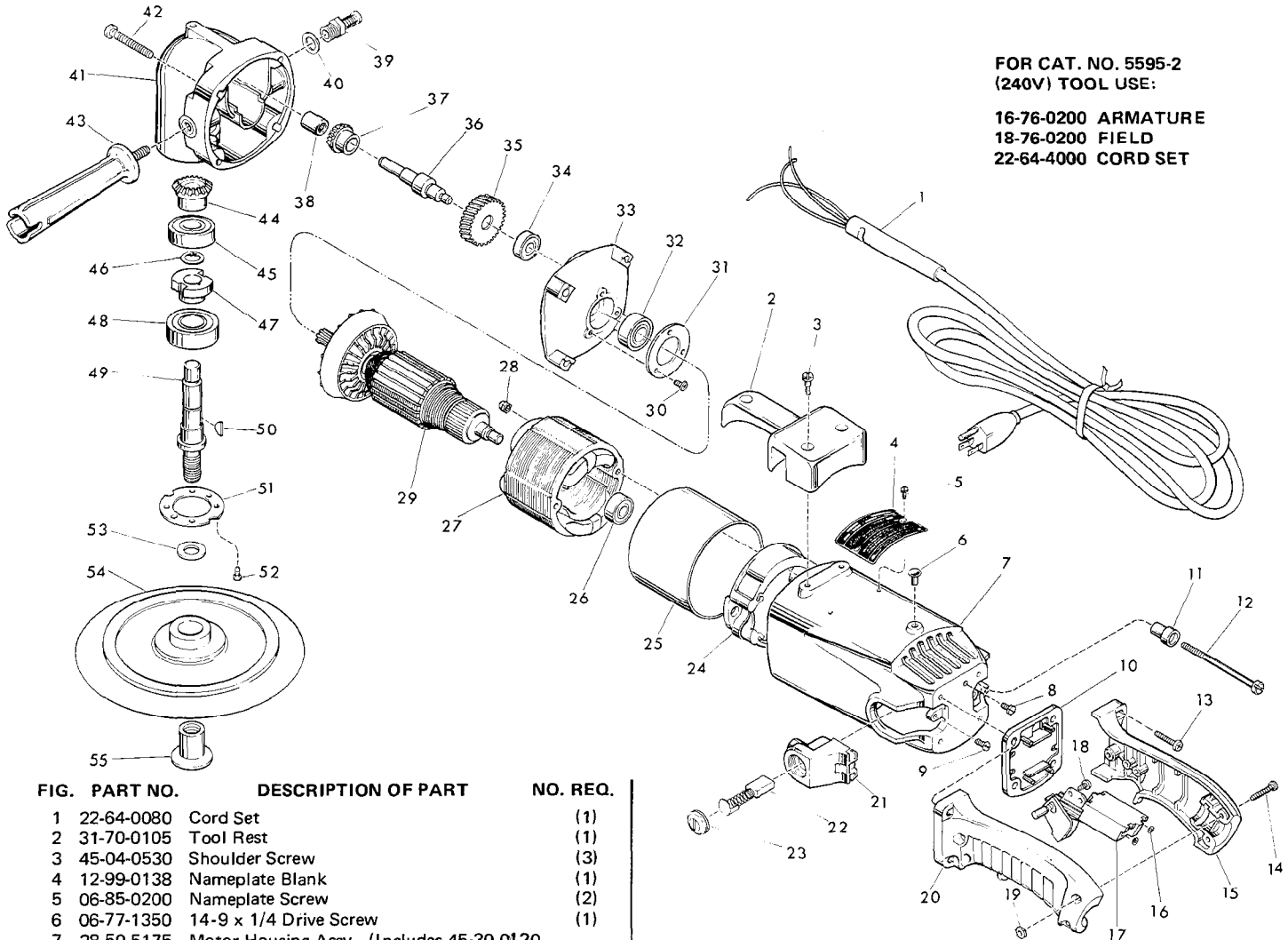




SERVICE PARTS LIST

BULLETIN NO.
54-32-1260

SPECIFY CATALOG NO. AND SERIAL NO. WHEN ORDERING PARTS		REVISED BULLETIN	DATE
9" POLISHER			May '83
CATALOG NO. 5595	STARTING SERIAL NO. 660-1001	WIRING INSTRUCTION 58-01-0307	
CAT. NO. 5595-6	START SER. NO. 660-1001	BILINGUAL LABEL 10-98-6120	



FOR CAT. NO. 5595-2
(240V) TOOL USE:

- 16-76-0200 ARMATURE
- 18-76-0200 FIELD
- 22-64-4000 CORD SET

FIG.	PART NO.	DESCRIPTION OF PART	NO. REQ.
1	22-64-0080	Cord Set	(1)
2	31-70-0105	Tool Rest	(1)
3	45-04-0530	Shoulder Screw	(3)
4	12-99-0138	Nameplate Blank	(1)
5	06-85-0200	Nameplate Screw	(2)
6	06-77-1350	14-9 x 1/4 Drive Screw	(1)
7	28-50-5175	Motor Housing Assy. (Includes 45-30-0120 Bearing Rtnng. Slug)	(1)
8	06-81-8820	Ground Screw	(1)
9	06-95-0209	8-32 x 3/8 Pan Hd. Taptite Screw	(2)
10	31-55-0130	Insulating Shield	(1)
11	31-86-0160	Insulating Bushing	(2)
12	06-81-7480	10-32 x 2-3/4 Flat Hd. Screw	(2)
13	06-95-0352	10-24 x 1 Pan Hd. Taptite Screw	(4)
14	06-81-4207	10-24 x 7/8 Phil. Pan Hd. Screw	(3)
15	31-44-0580	Right Handle Half	(1)
16	06-97-1800	Switch Lockwasher	(4)
17	23-66-0255	Switch	(1)
18	06-95-0215	8-18 x 1/2 Pan Hd. Thread Form Screw	(1)
19	06-55-1000	10-24 Hex Nut	(3)
20	31-44-0590	Left Handle Half	(1)
21	22-22-0400	Brush Holder Assy. (Includes 22-20-0360 Brush Tube)	(2)
22	22-18-0145	Carbon Brush Assembly	(2)
23	23-44-0140	Brush Retaining Screw	(2)
24	31-55-0110	Coil Shield	(1)
25	23-16-0950	Insulating Sleeve	(1)
26	02-04-0911	Ball Bearing	(1)
27	18-70-0200	120 Volt Field	(1)
28	06-57-3005	10-32 Locking Hex Nut	(2)
29	16-70-0200	120 Volt Armature	(1)
30	06-95-0209	8-32 x 3/8 Taptite Screw	(3)
31	44-86-0320	Ball Bearing Retainer	(1)
32	02-04-1516	Ball Bearing	(1)

FIG.	PART NO.	DESCRIPTION OF PART	NO. REQ.
33	28-28-0391	Diaphragm Assy. (Includes 45-30-0120 Bearing Rtnng. Slug)	(1)
34	02-04-0910	Ball Bearing	(1)
35	32-40-1775	Intermediate Gear	(1)
36	36-66-3315	Intermediate Shaft	(1)
37	32-05-1021	Bevel Gear	(1)
38	02-50-2441	Needle Bearing	(1)
39	44-20-0060	Spindle Lock Assembly	(1)
40	45-88-5320	Flat Washer	(1)
41	28-14-0615	Gear Case Assembly	(1)
42	06-95-0372	1/4-20 x 1-3/4 Taptite Screw	(4)
43	43-62-0760	Side Handle Assembly	(1)
44	32-05-1001	Bevel Gear	(1)
45	02-04-1746	Ball Bearing	(1)
46	34-60-1290	Retaining Ring	(1)
47	42-74-0070	Spindle Locking Cog	(1)
48	02-04-2031	Ball Bearing	(1)
49	38-50-5270	Spindle Shaft	(1)
50	06-42-1600	Woodruff Key	(1)
51	45-88-0220	Spindle Retaining Washer	(2)
52	06-95-3225	8-32 x 3/8 Fil. Hd. Taptite Screw	(3)
53	45-88-7910	Spindle Rubber Washer	(1)
54	49-36-2200	Rubber Back Pad	(1)
55	49-40-0390	Disc Nut	(1)

MILWAUKEE ELECTRIC TOOL CORPORATION
13135 W. LISBON RD., BROOKFIELD, WIS. 53005