



SERVICE PARTS LIST

BUL. 54-32-1216

POLISHER

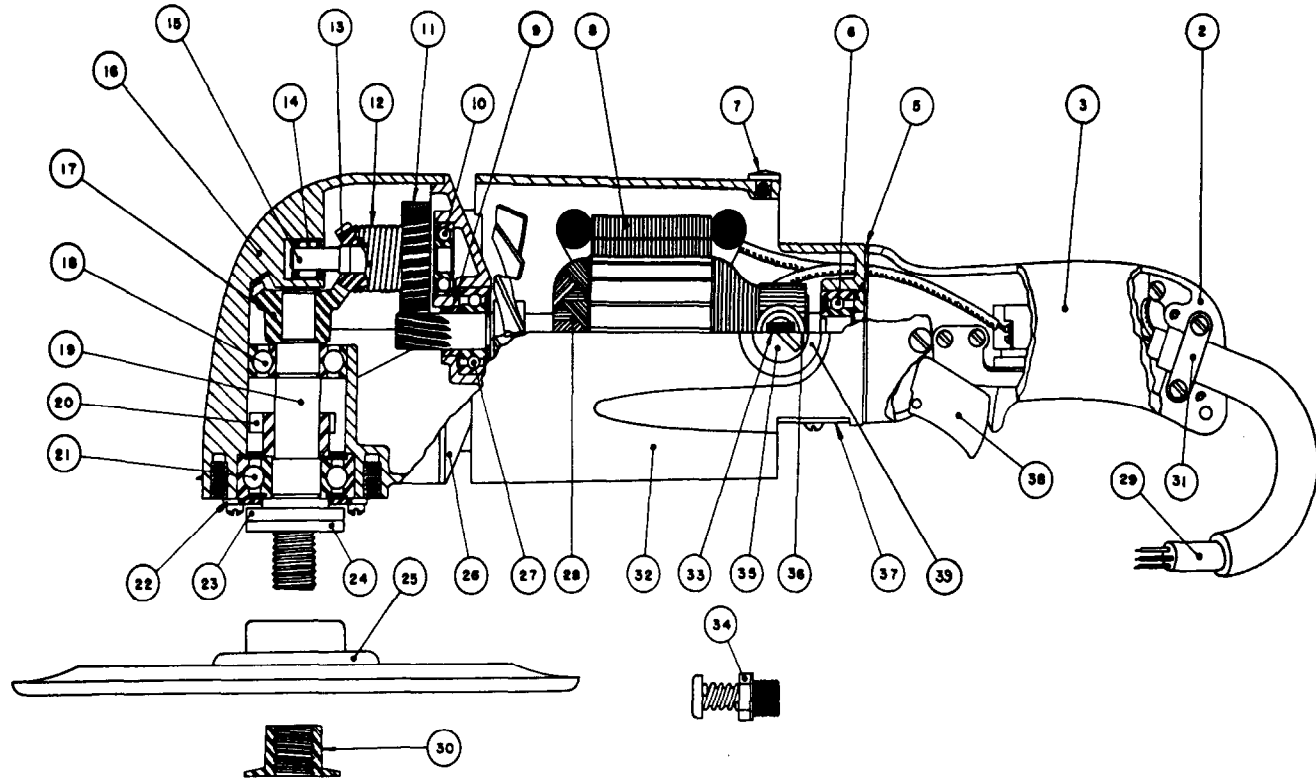
REVISED BUL. 54-32-1215 DATE Nov. '68

Catalog No. **5590**

Starting Serial No. **47-7506**

WIRING INSTR. **58-01-0310**

Both Model and Serial No. must be furnished to obtain correct parts.



ILLUSTRATED PARTS

FIG.	PART NO.	DESCRIPTION OF PART	FIG.	PART NO.	DESCRIPTION OF PART
	2	28-44-1041 Handle (Switch Mounting Side)	22	45-88-0220	Ball Bearing
	3	28-44-9081 Handle (Switch Cover Side)	23	45-88-0141	Steel Hub Washer
	5	43-86-0050 Handle Insulator	24	45-88-0160	Rubber Hub Washer
	6	02-04-1070 Ball Bearing	25	49-36-2200	9" Polisher Pad
	7	06-77-1400 Drive Screw Tool Rest Button	26	28-28-0381	Diaphragm
	8	18-82-1110 Field Assembly	27	02-04-1140	Ball Bearing
	9	45-28-0050 Grease Slinger	28	16-82-1180	Armature Assembly
	10	02-04-0910 Ball Bearing	29	22-64-0090	Cord Set
	11	32-40-1181 Intermediate Gear	30	44-40-0160	5/8-11 Disc Nut
	12	40-50-3100 Spindle Drive Spring	31	28-17-0200	Cord Clamp Strap
	13	32-05-1022 Bevel Gear (Sold only with 32-05-1001 as set)	32	28-50-4562	Motor Housing (Includes item 39 & screws)
	14	02-50-2130 Needle Bearing	33	22-18-0260	Carbon Brush Assembly (2)
	15	36-66-1701 Intermediate Shaft	34	44-20-0060	Spindle Lock Assembly
★	16	28-14-0610 Gear Case	35	23-44-0065	Brush Retaining Cap (2)
	17	32-05-1001 See Item 13	36	22-22-0130	Brush Holder Assembly (2)
	18	02-04-1710 Ball Bearing	37	44-66-0100	Commutator Cover Plate
	19	38-50-1751 Spindle	38	23-66-0250	Switch Assembly
	20	42-74-0061 Spindle Lock Cog	39	22-24-0100	Brush Holder Bushing (Steel)
	21	02-04-2060 Ball Bearing			

MISCELLANEOUS PARTS NOT SHOWN

PART NO.	DESCRIPTION OF PART	PART NO.	DESCRIPTION OF PART
★ 31-70-0100	Tool Rest	06-81-8650	6-32x1/4 Rd. Hd. Comm. Cover Plate Screw (2)
48-03-0010	Plug Adapter	06-81-3700	8-32x7/8 Oval Hd. Handle Cover Screw (2)
12-98-2500	Name Plate	06-81-6150	8-32x1/2 Fil. Hd. Cord Clamp Screw (2)
43-62-0141	Side Handle	06-81-5400	8-32x5/16 Binder Hd. Switch Mounting Screw (2)
★ 06-81-6950	10-24x1/2 Fil. Hd. Tool Rest Screw (3)	06-81-9200	10-24x2-1/2 Rd. Hd. Field Screw (2)
06-83-2650	1/4-20x3/8 Hd'less Brush Holder Set Screw (2)	06-81-8625	6-32x1/4 Rd. Hd. Ground Screw (Brass)
06-81-7550	12-24x3/4 Fil. Hd. Switch Handle Screw (4)	06-81-8200	4-36x3/16 Rd. Hd. Name Plate Screw (2)
06-81-3750	8-32x1 Oval Hd. Handle Cover Screw	06-81-6050	8-32x5/16 Fil. Hd. Ret. Washer Screw (6)
06-81-7300	10-24x1-3/4 Fil. Hd. Gear Case Screw (4)	23-86-0075	Insulating Washer (2)
06-97-1800	Lock Washer (4)	45-88-5320	Flat Washer
06-42-1600	Woodruff Key		