

Item	Part Number	Description	Illustration	Price	Quantity
4	1 619 X00 641	Switch		1,-	1
5	1 619 X04 467	Power supply cord		1,-	1
8	1 619 X00 716	Nameplate		1,-	1
9	1 619 X00 717	Manufacturer's nameplate		1,-	1
19	1 619 X01 012	Screw		1,-	2
20	1 619 X00 649	Warning Label		1,-	1
23	1 619 X01 011	Screw		1,-	6
26	1 619 X00 657	Bearing Plate		1,-	1
27	1 619 X01 786	Contact Screw		1,-	4
28	1 619 X00 659	Washer		1,-	1
29	1 619 X00 660	Washer		1,-	1
30	1 619 X01 098	Housing Cover		1,-	1
33	1 619 X03 951	Pivoting Blade Guard		1,-	1
34	1 619 X04 824	Extension Spring		1,-	1
35	1 619 X04 655	Lever		1,-	1
36	1 619 X00 667	Retaining snap ring		1,-	1
37	1 619 X01 007	Set Of Handles		1,-	1
40	1 619 X01 956	Base Plate		1,-	1
42	1 619 X00 674	Bolt		1,-	1
43	1 619 X00 676	Roller Pin		1,-	1
44	1 619 X00 677	Nut		1,-	1
45	1 619 X05 358	Depth-Gauge		1,-	1
46	2 610 923 854	Clip		1,-	1
47	1 619 X01 014	Spring Washer		1,-	1
48	1 619 X00 681	Stopper		1,-	1
49	1 619 X00 682	Spacer		1,-	1
50	1 619 X00 683	Screw		1,-	1
51	1 619 X00 935	Hex Screw		1,-	1
60	1 619 X01 409	Holding Pin		1,-	2
70	1 619 X01 982	Window		1,-	1
73	2 610 347 488	Screw		1,-	1
651	1 619 X00 685	Box Wrench		1,-	1
822	1 619 X02 851	Carbon-Brush Set		1,-	1

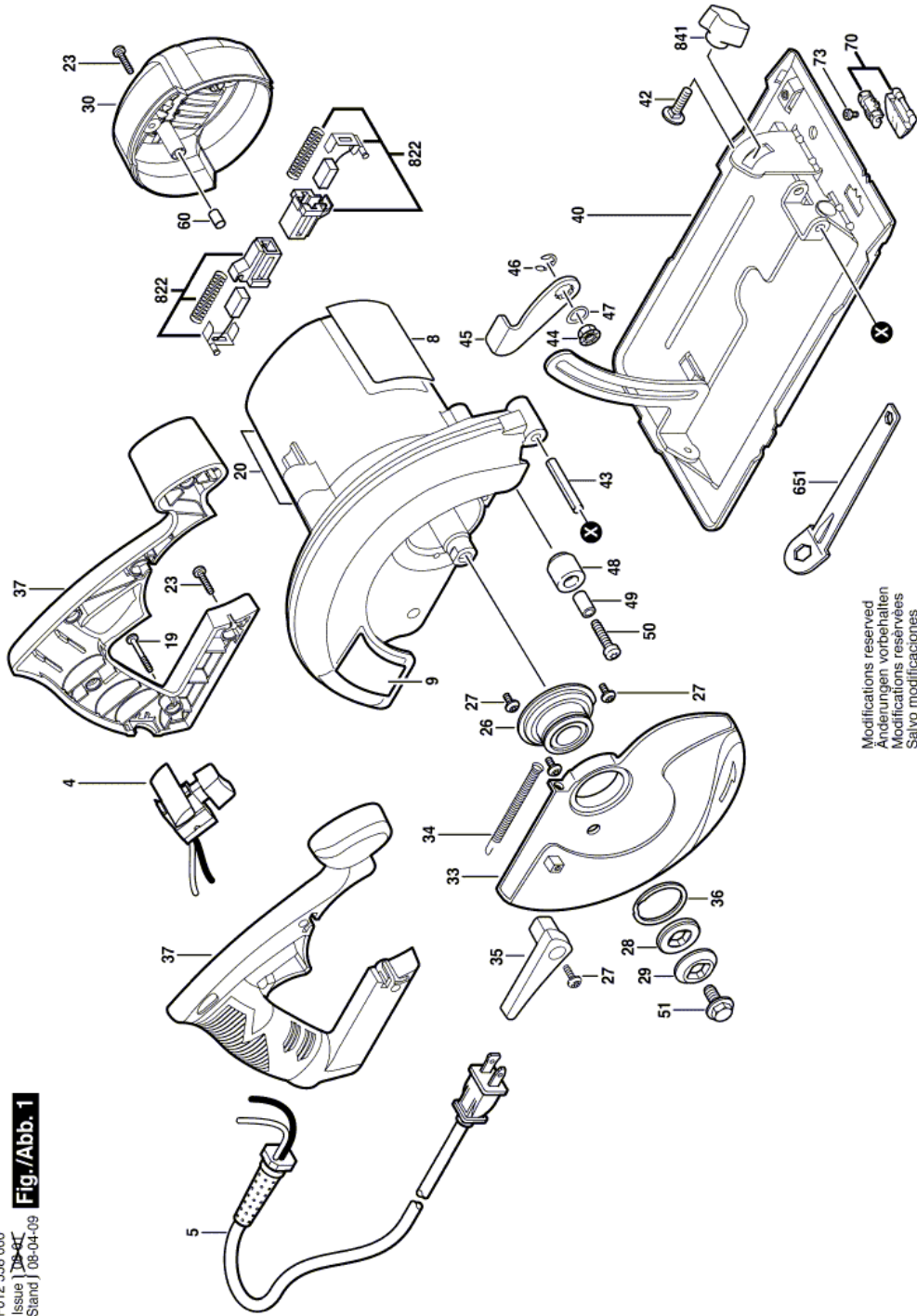
Item	Part Number	Description	Illustration	Price	Quantity	
841	2 610 917 567	Knob		1	-,-	1

F012.558.000

Issue 1

Stand J 08-04-09

Fig./Abb. 1



Modifications reserved
Änderungen vorbehalten
Modifications réservées
Salvo modificaciones