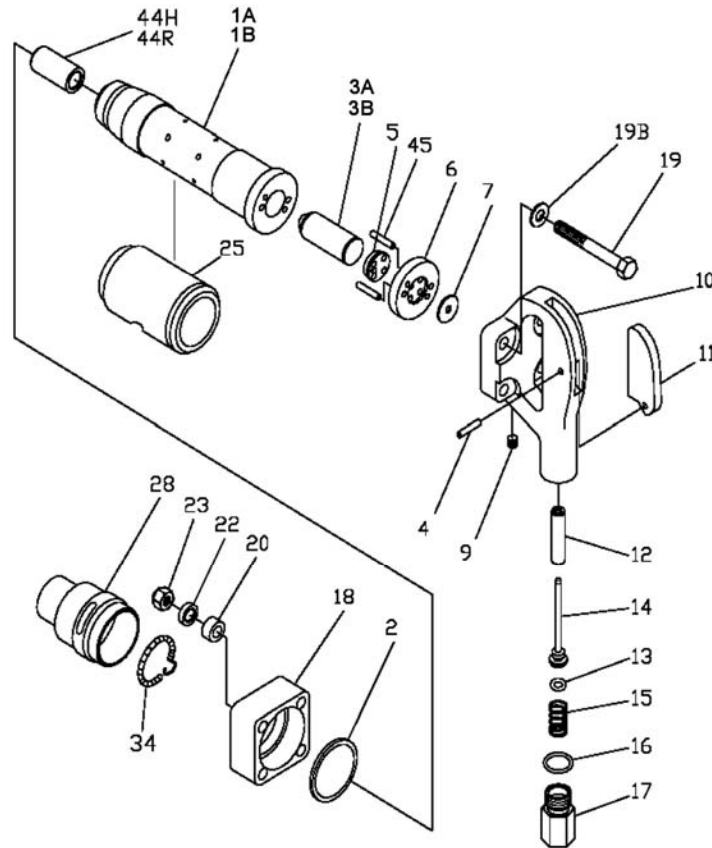




Parts List for FBCH-2R/3R, Four-Bolt Chipping Hammers



Index	Part No.	Description	Qty.
1A	Y10430010	Cylinder (for FBCH-2R)	1
1B	Y10450010	Cylinder (for FBCH-3R)	1
2	Y10430020	Flange Bumper Ring	1
3A	Y10430030	Piston (for FBCH-2R)	1
3B	Y10450030	Piston (for FBCH-3R)	1
4	Y10103080	Spring Pin, 6x24mm	1
5	Y10430050	Bumper Valve Seat	1
6	Y10430060	Valve Spacer	1
7	Y10212150	Valve	1
9	Y10430090	Hex Socket Plug GDL1/8-27	1
10	Y10430100	Handle	1
10A	Y1043010A	Handle Assembly *	1
11	Y1061110	Trigger	1
12	Y10430120	Throttle Valve Bushing	1
13	Y10430130	O-Ring AS568-203	1
14	Y10430140	Throttle Valve	1

Index	Part No.	Description	Qty.
15	Y10430150	Throttle Valve Spring	1
16	Y10430160	O-Ring G-25	1
17	Y10430170	Air Inlet	1
18	Y10430180	Flange	1
19	Y10430190	Hex Bolt 11T (M12x80)	4
19B	Y1043019B	Spring Washer 25x12.2x1.5	4
20	Y10430200	Bumper Washer	4
22	Y10430220	Bolt Spacer	4
23	Y10430230	Bolt Nut M12	4
25	Y10430250	Exhaust Muffler	1
28	Y10212290	Retainer	1
34	Y10430340	Lock Coil Spring	1
44H	Y1021224H	Shank Bushing (Hex)	1
44R	Y1021224R	Shank Bushing (Round)	1
45	Y10430450	Valve Knock Pin	2

*contains index nos. 4 and 9-17

WALTER MEIER (Manufacturing) Inc.
 427 New Sanford Road
 LaVergne, Tennessee 37086
 Ph.: 800-274-6848
 www.waltermeier.com

Part No. M-557712
 Revision A 08/2011
 Copyright © 2011 Walter Meier (Manufacturing) Inc.