

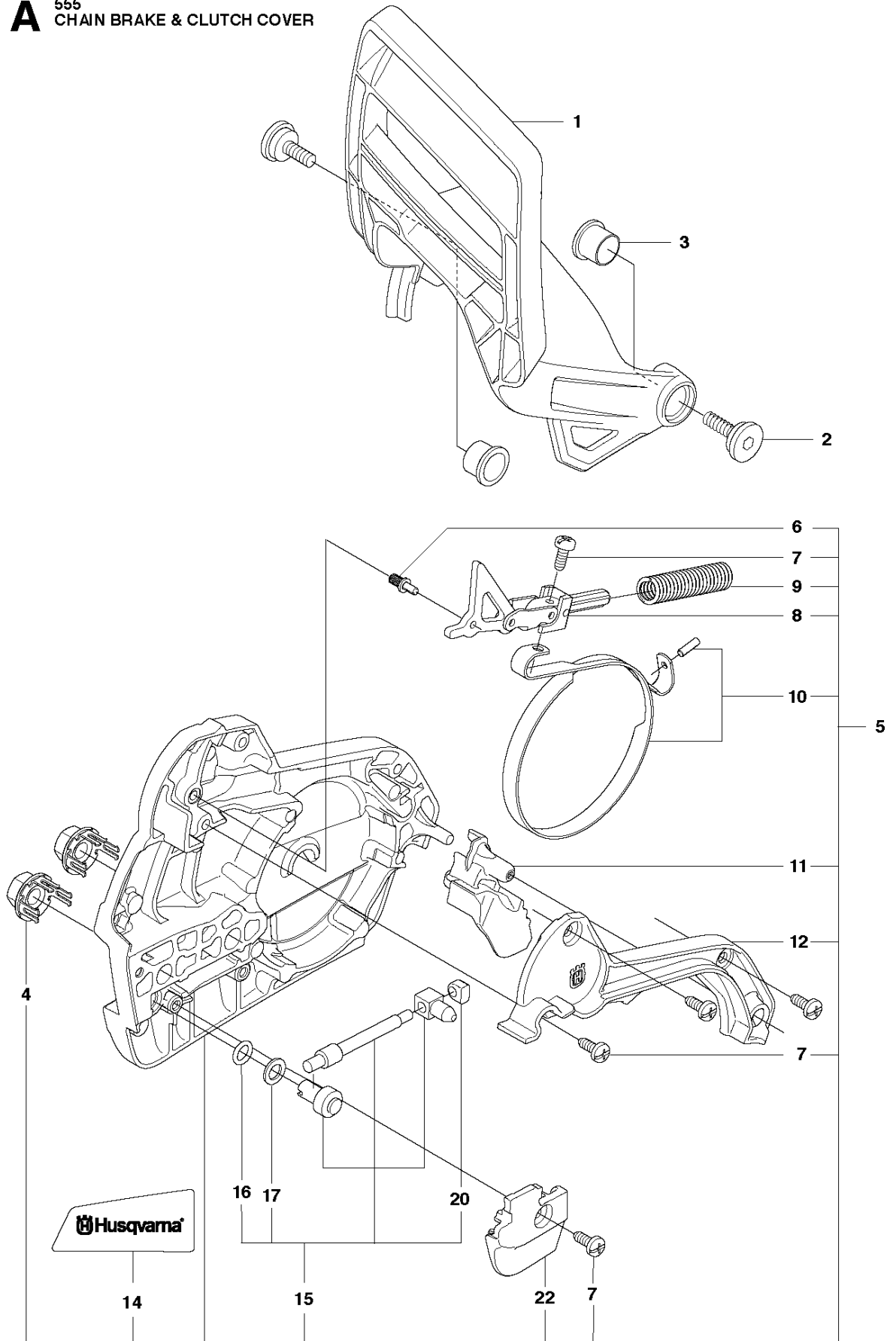


SPARE PARTS LIST

CHAIN SAWS

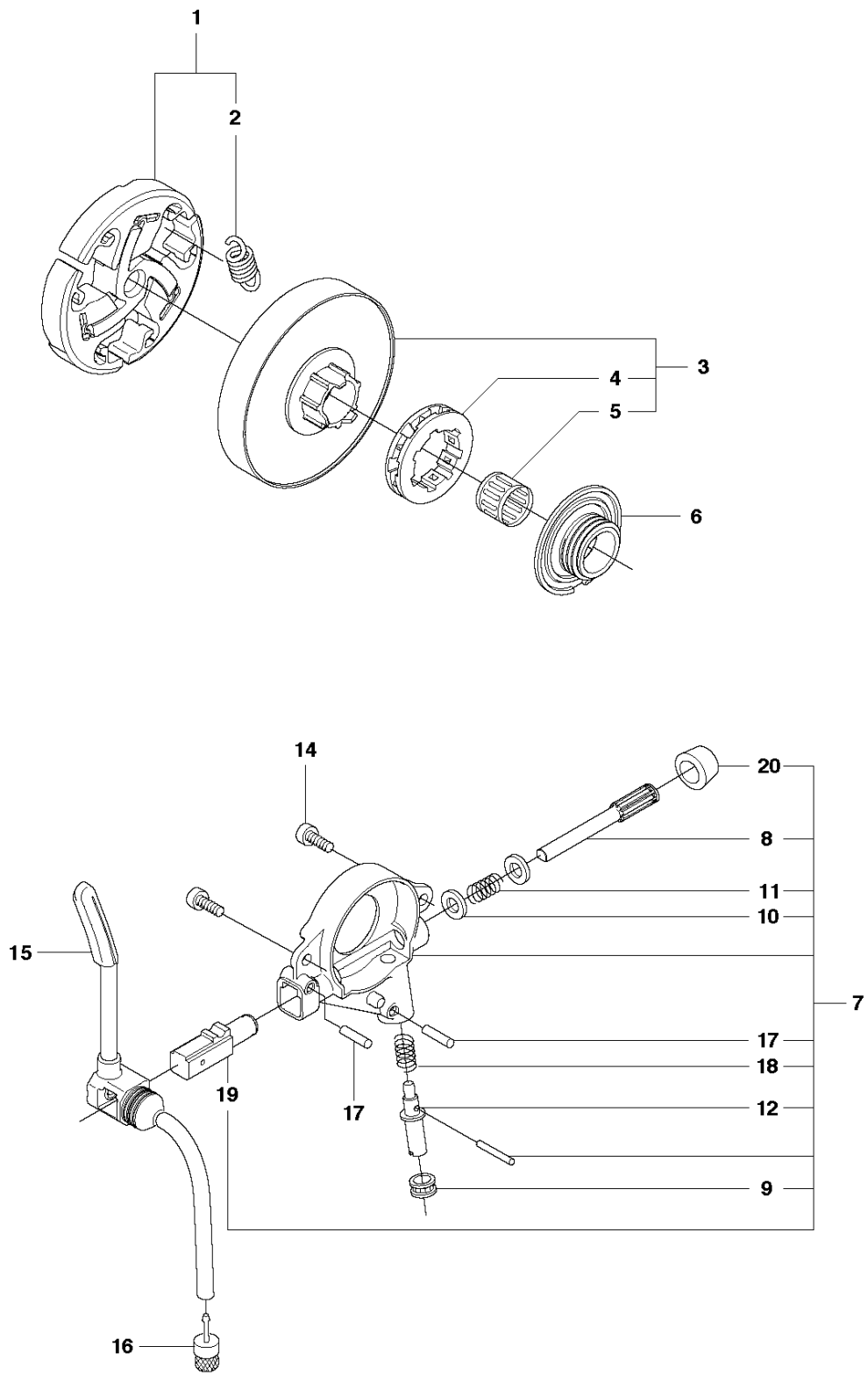
555

A 555
CHAIN BRAKE & CLUTCH COVER



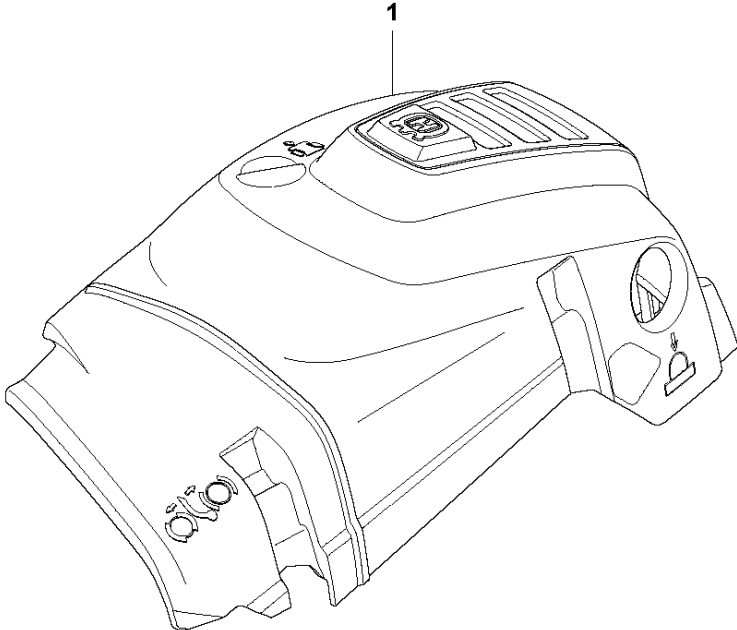
Ref	Part No	Description	Remark	QTY	KIT
1	505 20 09-02	HAND GUARD		1	
2	537 20 90-01	SCREW		2	
3	577 78 02-01	BUSHING		2	
4	505 19 73-01	NUT RETAINER ASSY		2	5
5	505 19 90-06	CLUTCH COVER ASSY		1	
6	503 75 18-01	PIN KNEE-JOINT		1	5
7	503 21 70-10	SCREW CCRPANT		5	5
8	505 19 93-01	KNEE JOINT ASSY		1	5
9	503 90 83-01	BRAKE SPRING		1	5
10	505 19 95-02	BRAKE BAND ASSY		1	5
11	505 20 16-01	GUARD		1	5
12	505 19 97-01	COVER		1	5
14	523 05 80-01	LABEL		1	5
15	575 26 04-03	CHAIN TENSIONER KIT		1	5
16	740 48 07-02	O-RING		1	15, 5
17	503 23 00-63	WASHER		1	15, 5
20	537 01 74-01	BEARING SLEEVE		1	15, 5
22	505 19 98-01	CHAIN GUIDE		1	5

B 555
CLUTCH & OIL PUMP



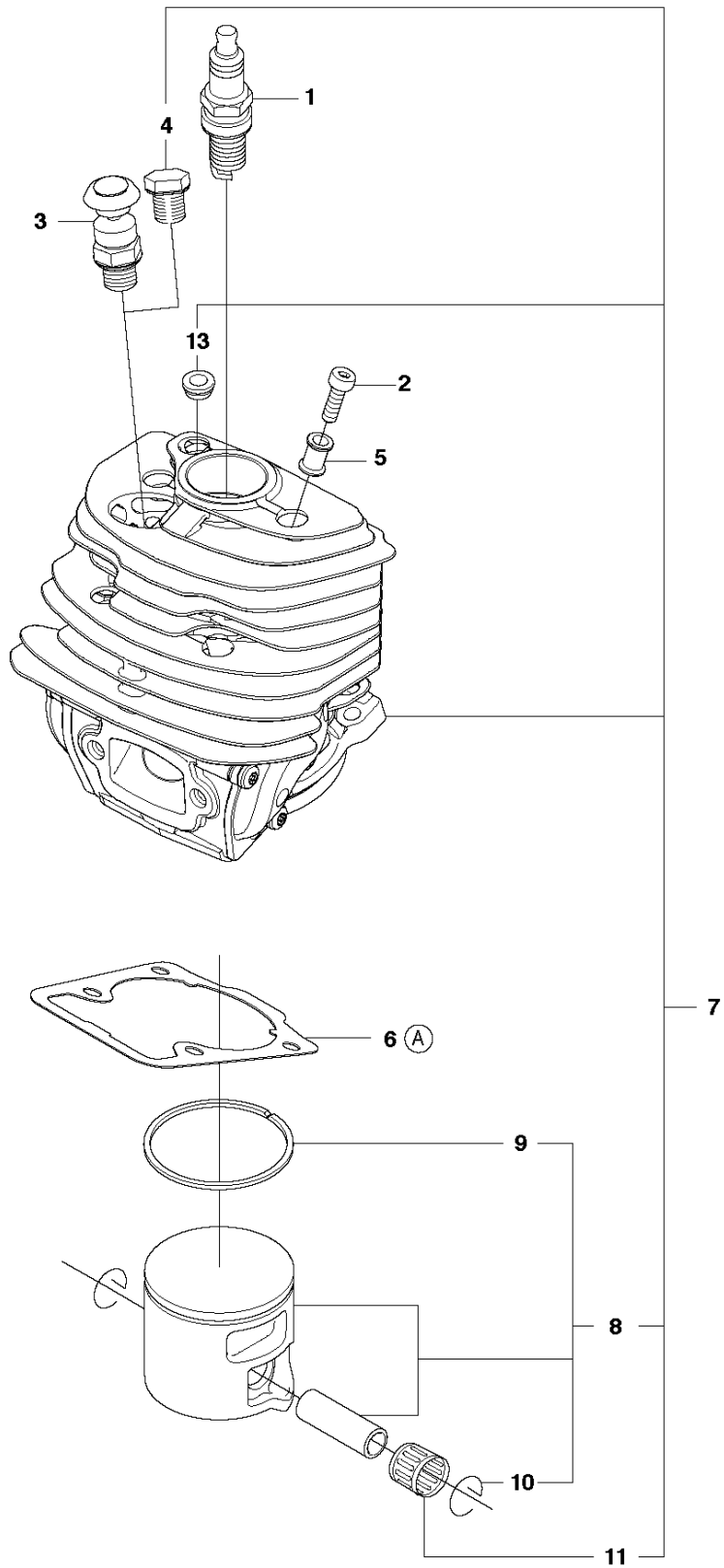
Ref	Part No	Description	Remark	QTY KIT	
1	574 23 61-04	CLUTCH ASSY		1	
2	580 65 35-02	CLUTCH SPRING	s/n from 20132500001 -	3	1
3	575 26 10-03	CLUTCH DRUM	".325""x7"	1	
3	575 26 10-04	CLUTCH DRUM	"3/8""x7"	1	
4	501 45 74-02	RIM	".325""x7"	1	3
4	501 59 80-02	RIM	"3/8""x7"	1	3
5	503 25 34-01	NEEDLE BEARING		1	3
6	505 20 08-01	WORM WHEEL		1	
7	505 19 99-02	OIL PUMP ASSY		1	
8	505 20 02-02	PUMP PISTON		1	7
9	505 20 03-01	CASING		1	7
10	503 23 00-60	WASHER		2	7
11	503 89 16-01	SPRING		1	7
12	505 15 70-01	ADJUSTING SCREW		1	7
14	510 02 06-01	SCREW IHSCM		2	
15	505 20 04-01	OIL HOSE		1	
16	504 71 00-03	OIL PLUMMET		1	
17	720 12 33-00	PARALLEL PIN		2	7
18	503 89 15-01	SPRING		1	7
19	505 20 01-01	PUMP CYLINDER		1	7
20	503 62 49-02	SEALING PLUG		1	7

C 555
CYLINDER COVER



Ref	Part No	Description	Remark	QTY KIT
1	505 15 76-01	CYLINDER COVER		1

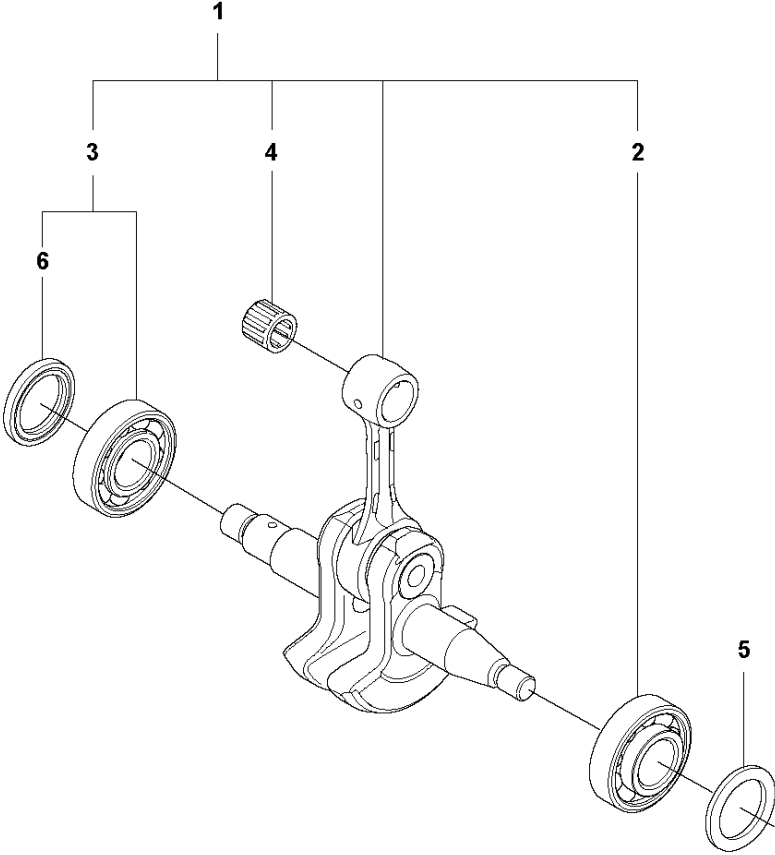
D 555
CYLINDER PISTON



12
Ⓐ Set of gaskets

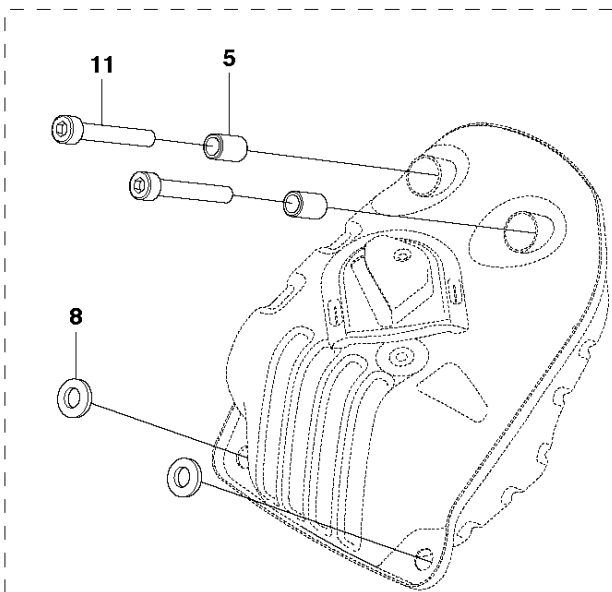
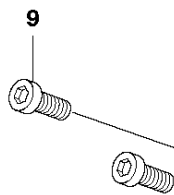
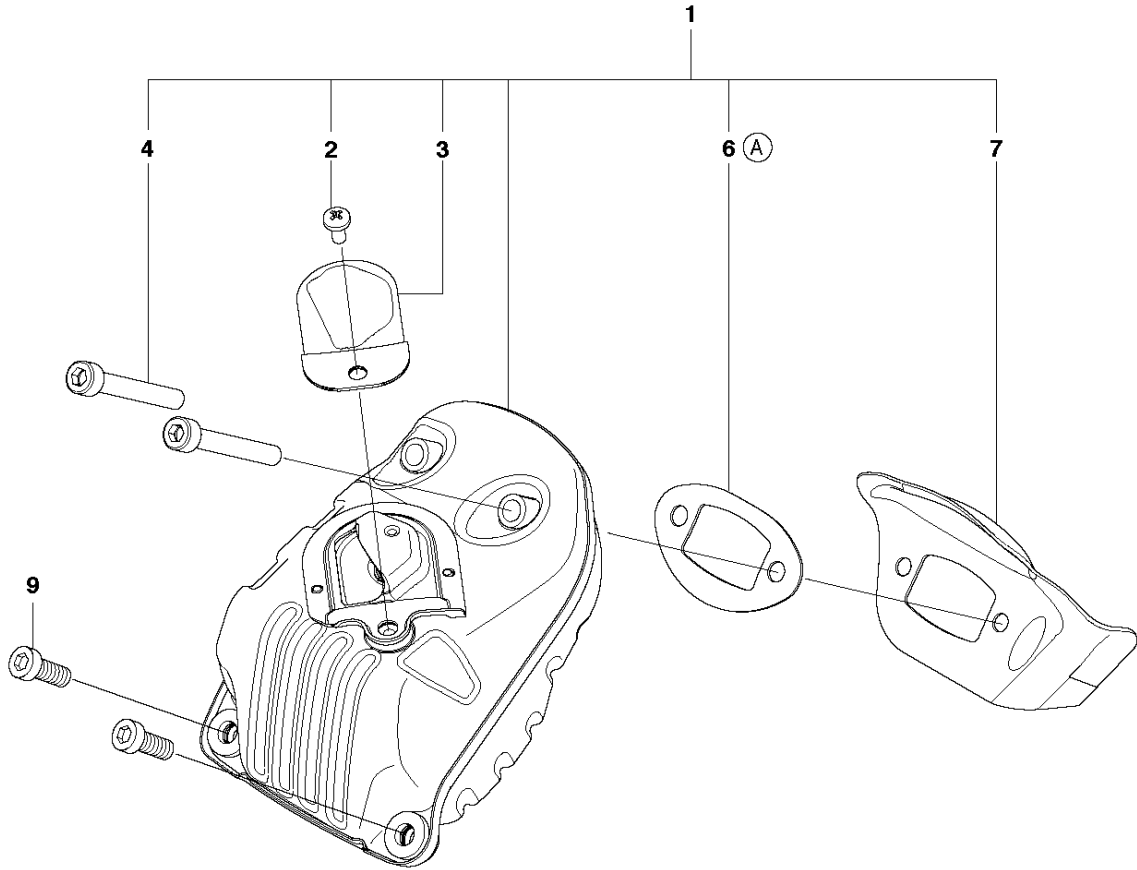
Ref	Part No	Description	Remark	QTY	KIT
1	531 00 86-15	SPARK PLUG		1	
2	725 53 39-55	SCREW IHSCM		4	
3	575 27 69-01	DECOMPRESSION VALVE		1	
4	503 55 22-01	PLUG		1	7
5	576 71 76-02	SLEEVE		4	
6	510 16 49-01	GASKET		1	12
7	575 35 58-02	CYLINDER-PISTON ASSY		1	
8	505 21 55-02	PISTON ASSY		1	7
9	505 21 57-01	PISTON RING		1	8, 7
10	737 44 10-00	SNAP RING		2	8, 7
11	501 45 16-01	NEEDLE BEARING		1	7
12	575 27 00-03	GASKET KIT	A=set of gaskets	1	
13	520 29 11-01	BUSHING		1	7

E 555
CRANKSHAFT



Ref	Part No	Description	Remark	QTY	KIT
1	575 54 52-06	CRANKSHAFT ASSY		1	
2	505 13 35-01	BALL BEARING		1	1
3	525 43 42-01	BALL BEARING		1	1
4	501 45 16-01	NEEDLE BEARING		1	1
5	525 39 12-01	RADIAL SEAL		1	
6	505 41 61-01	RADIAL SEAL		1	1, 3

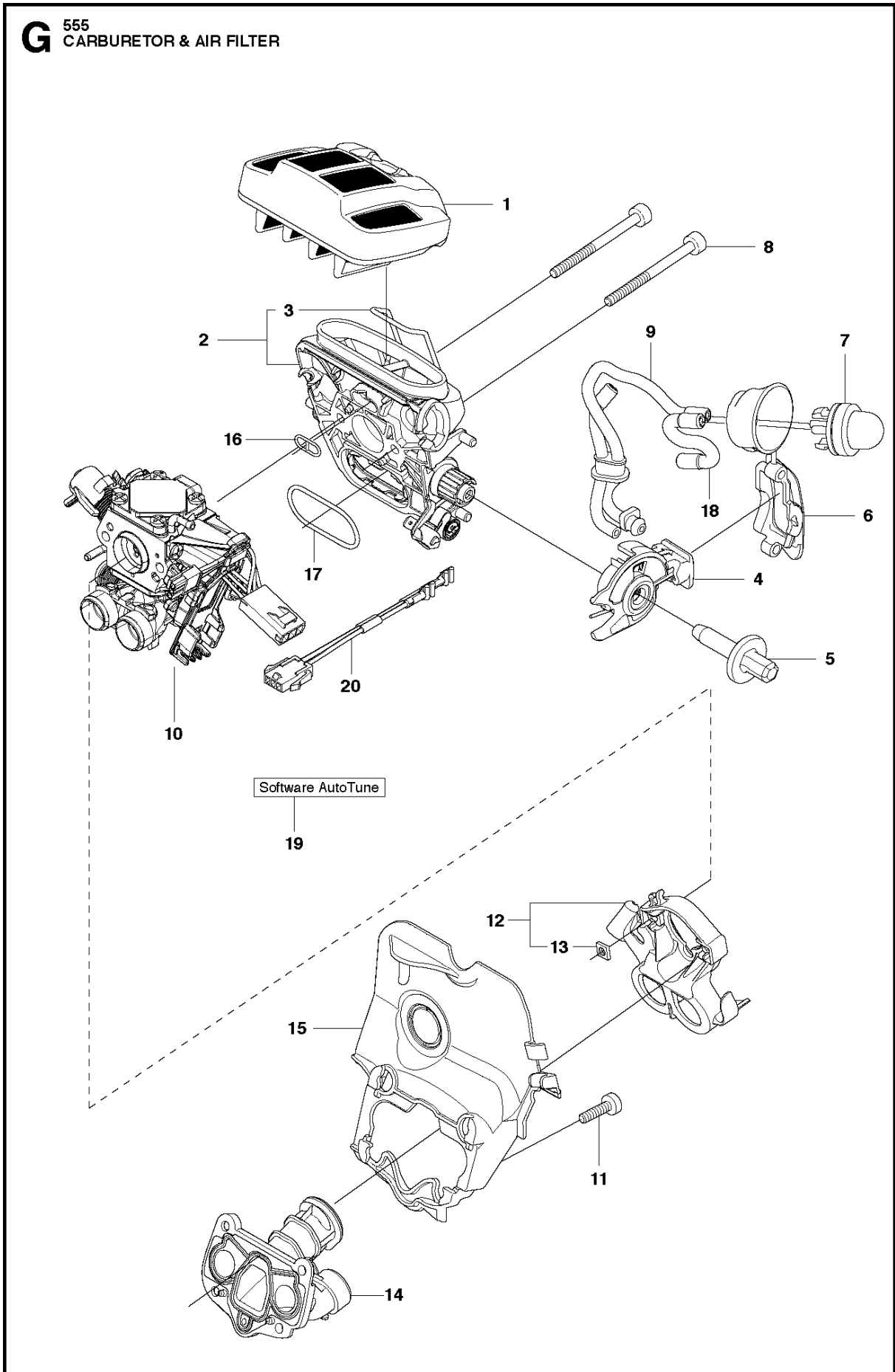
F 555
MUFFLER



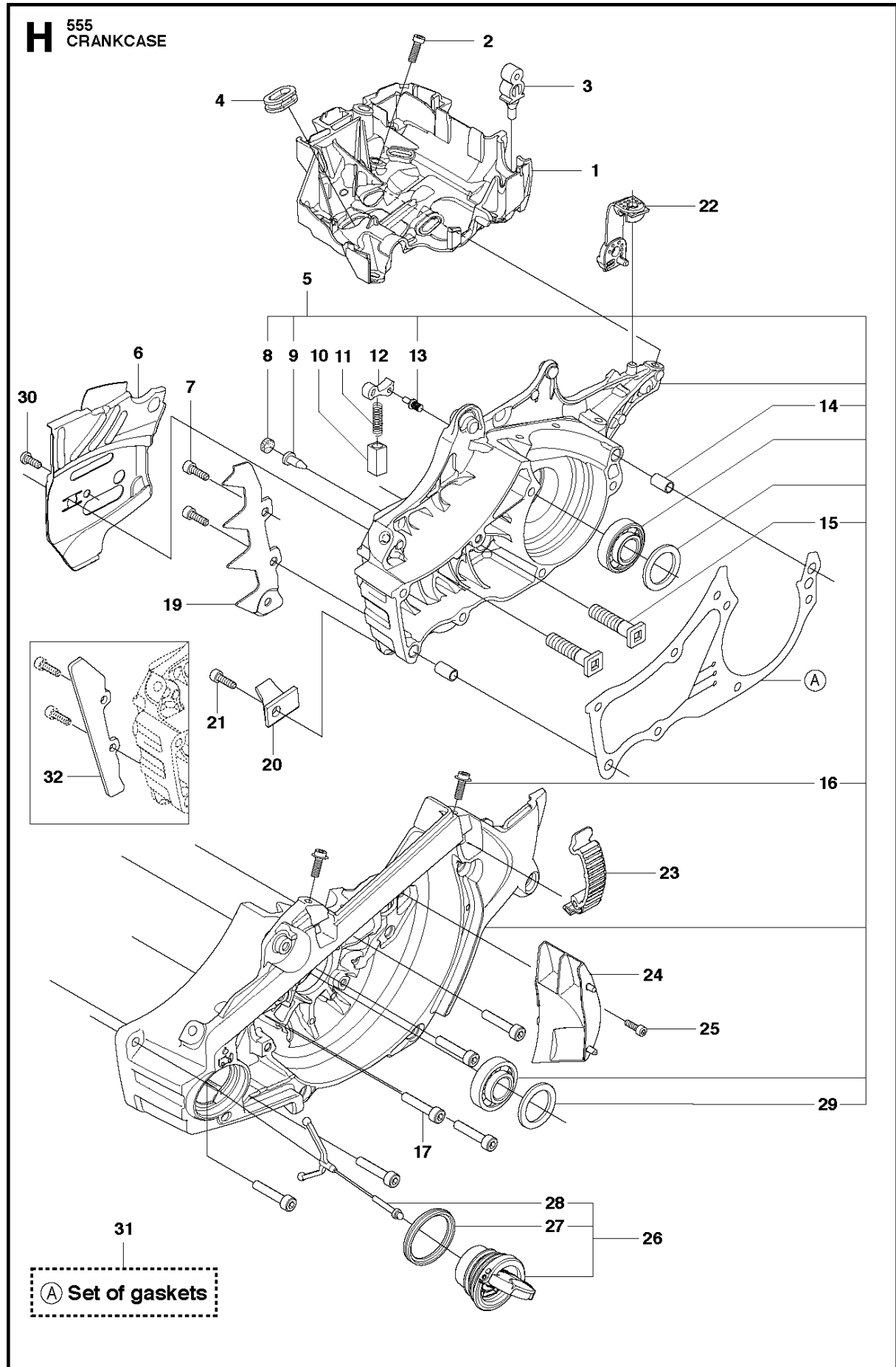
10
Ⓐ Set of gaskets

Ref	Part No	Description	Remark	QTY KIT	
1	581 91 48-01	MUFFLER KIT		1	
2	724 12 87-59	SCREW CRPANM		1	1
3	505 17 13-01	SPARK ARRESTER		1	1
4	725 53 80-55	SCREW IHSCM	s/n from 20132500001 -	2	
5	577 65 63-01	SLEEVE	s/n up to - 20132499999	2	
6	581 91 85-01	GASKET		1	1, 10
7	585 17 87-01	HEAT DEFLECTOR		1	1
8	577 90 22-01	WASHER	s/n up to - 20132499999	2	
9	503 20 73-20	SCREW IHSCM		2	
10	575 27 00-03	GASKET KIT	A=set of gaskets	1	
11	725 53 76-55	SCREW IHSCM	s/n up to - 20132499999	2	1

G 555
CARBURETOR & AIR FILTER

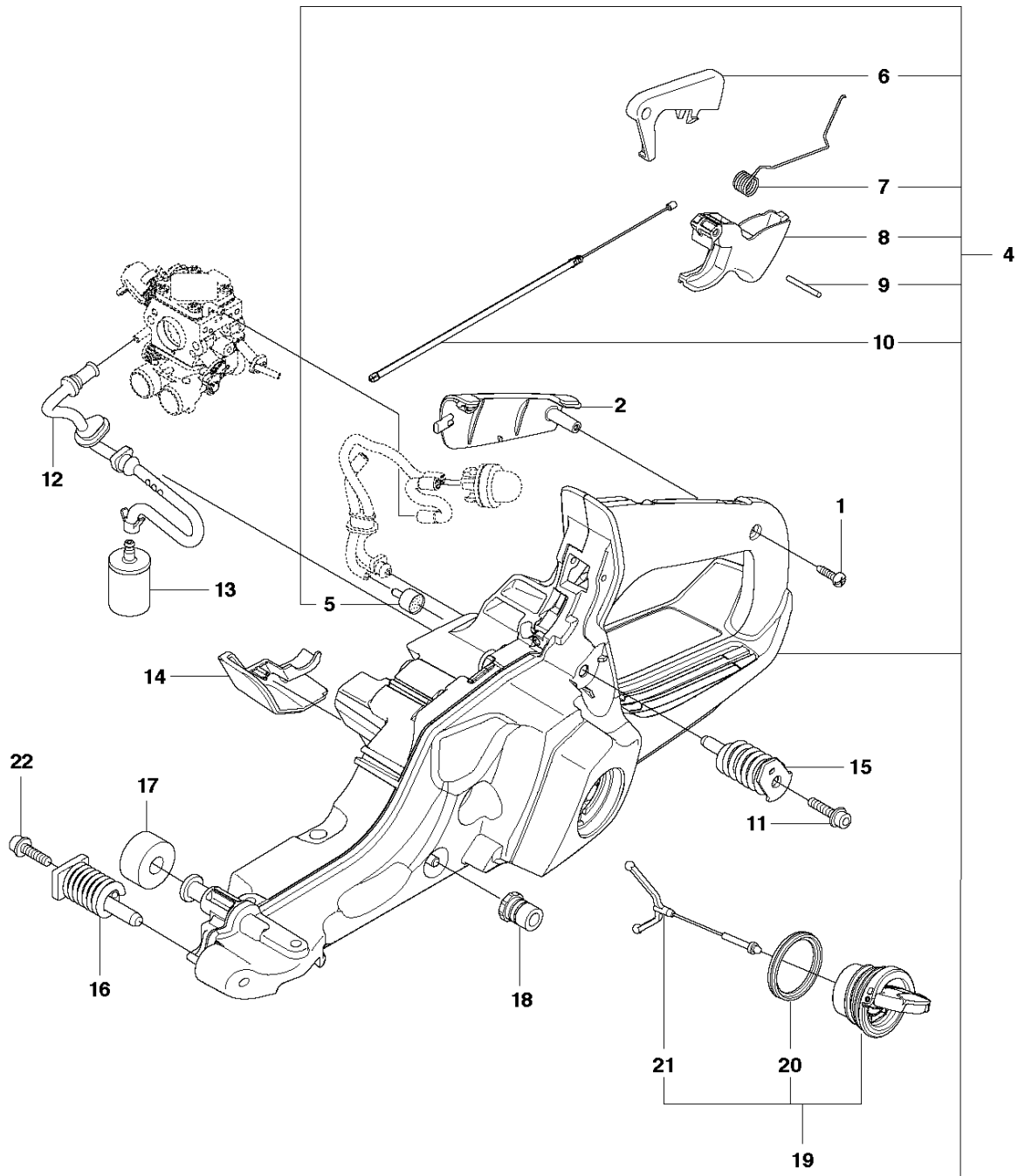


Ref	Part No	Description	Remark	QTY	KIT
1	505 12 63-04	AIR FILTER ASSY	NYLON 80 µm black	1	
1	505 12 63-05	AIR FILTER ASSY	NYLON 44 µm yellow	1	
1	505 12 63-06	AIR FILTER ASSY	FELT white	1	
2	505 12 70-03	FILTER HOLDER ASSY		1	
3	505 17 69-01	SHACKLE		1	2
4	510 01 72-01	CHOKE CONTROL ASSY		1	
5	505 15 62-01	SCREW		1	
6	525 58 81-01	SEALING		1	
7	503 93 66-01	PRIMER HOUSING		1	
8	503 20 25-50	SCREW IHSCM		2	
9	525 34 43-02	FUEL HOSE		1	
10	579 19 41-01	CARBURETTOR	s/n up to - 20121499999 (ZAMA EL44)	1	
10	579 19 41-06	CARBURETTOR	s/n from 20121500001 - (ZAMA EL47)	1	
11	510 02 06-01	SCREW IHSCM		4	
12	505 16 52-01	FLANGE		1	
13	503 22 65-03	SQUARE NUT		2	12
14	520 29 10-01	INLET PIPE		1	
14	583 96 41-02	INLET PIPE	Cold resistant	1	
15	520 29 09-01	INTERMEDIATE WALL		1	
16	525 61 92-01	SEALING		1	
17	525 61 90-01	SEALING		1	
18	523 05 68-01	FUEL HOSE		1	
19	-	TBD	Download from your local supportsite	1	
20	577 53 64-01	WIRING ASSY	s/n from 20121500001 -	1	



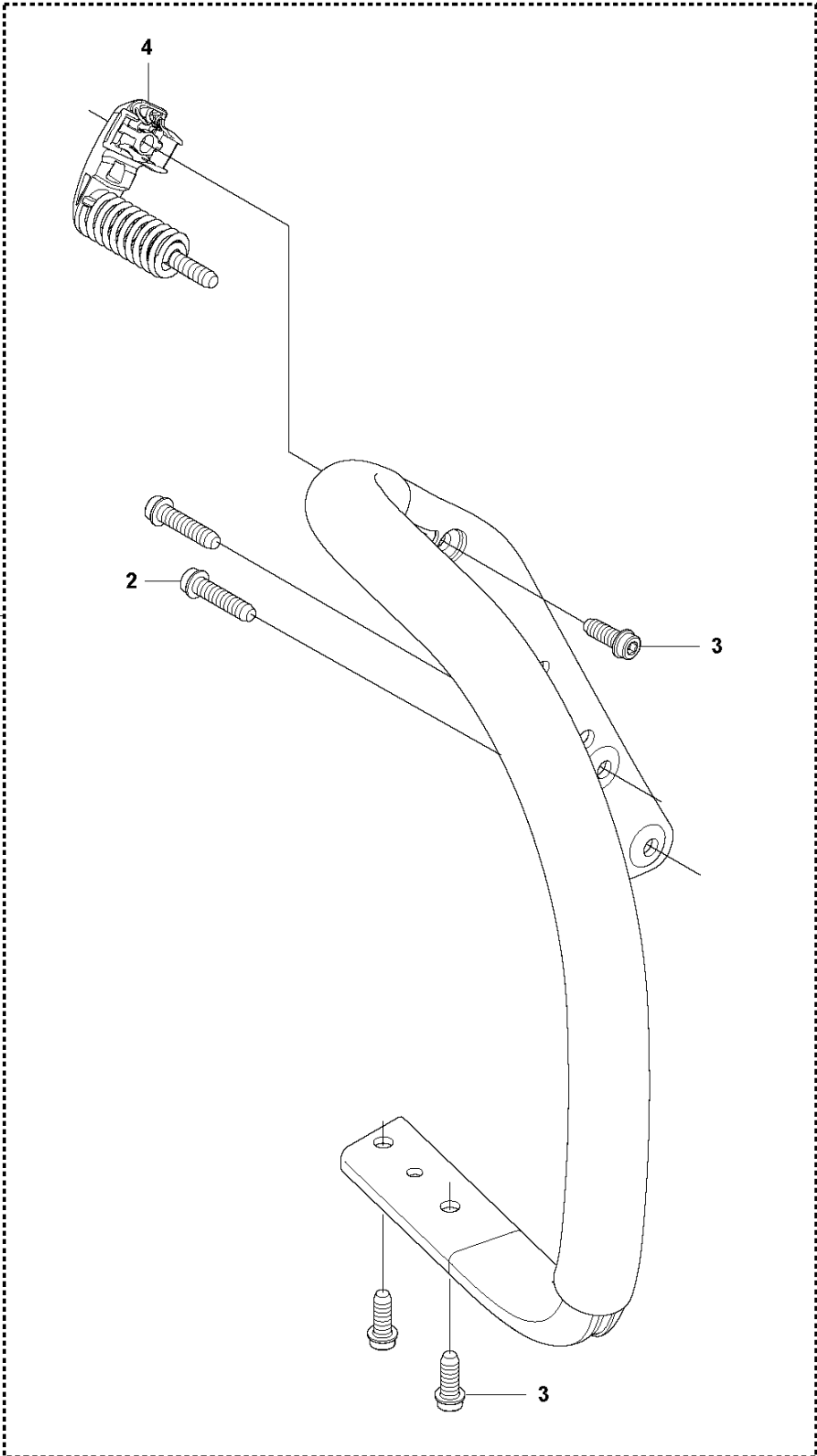
Ref	Part No	Description	Remark	QTY	KIT
1	505 15 86-01	CARBURETTOR AREA BASE		1	
2	503 20 02-16	SCREW IHSCFM		4	
3	503 86 93-01	CARBURETTOR MOUNTING		2	
4	537 08 83-01	GROMMET		1	
5	575 38 02-07	CRANKCASE ASSY		1	
6	505 20 11-01	CHAIN GUIDE PLATE		1	
7	503 21 26-16	SCREW IHPANM		2	
8	537 40 35-01	FILTER		1	5
9	530 02 61-19	CHECK VALVE		1	5
10	537 21 07-01	SPRING GUIDE		1	
11	503 43 65-01	POSITION SPRING		1	
12	505 20 12-01	CATCH		1	
13	503 75 18-01	PIN KNEE-JOINT		1	5
14	501 27 08-01	GUIDE BUSHING		2	5
15	505 21 73-01	BAR BOLT		2	5
16	505 11 15-01	SCREW IHSCM		2	5
17	503 20 08-03	SCREW IHSCM		6	
19	577 93 52-01	SPIKES		1	
20	537 37 79-02	CHAIN CATCHER		1	
21	503 21 88-76	SCREW IHSCFT		1	
22	505 12 58-01	DEFLECTION LIMITER		1	
23	503 89 47-01	SNAP		3	
24	520 29 12-01	AIR NOZZLE		1	
25	510 02 06-01	SCREW IHSCM		1	
26	522 62 00-01	TANK CAP ASSY		1	
27	537 21 50-01	SEALING		1	26
28	503 57 89-01	HOLDER		1	26
29	525 39 12-01	RADIAL SEAL		1	5
30	525 88 74-01	SCREW CITXPANT		1	
31	575 27 00-03	GASKET KIT	A=set of gaskets	1	
32	574 88 98-01	ENCLOSED KIT		1	

J 555
FUEL TANK

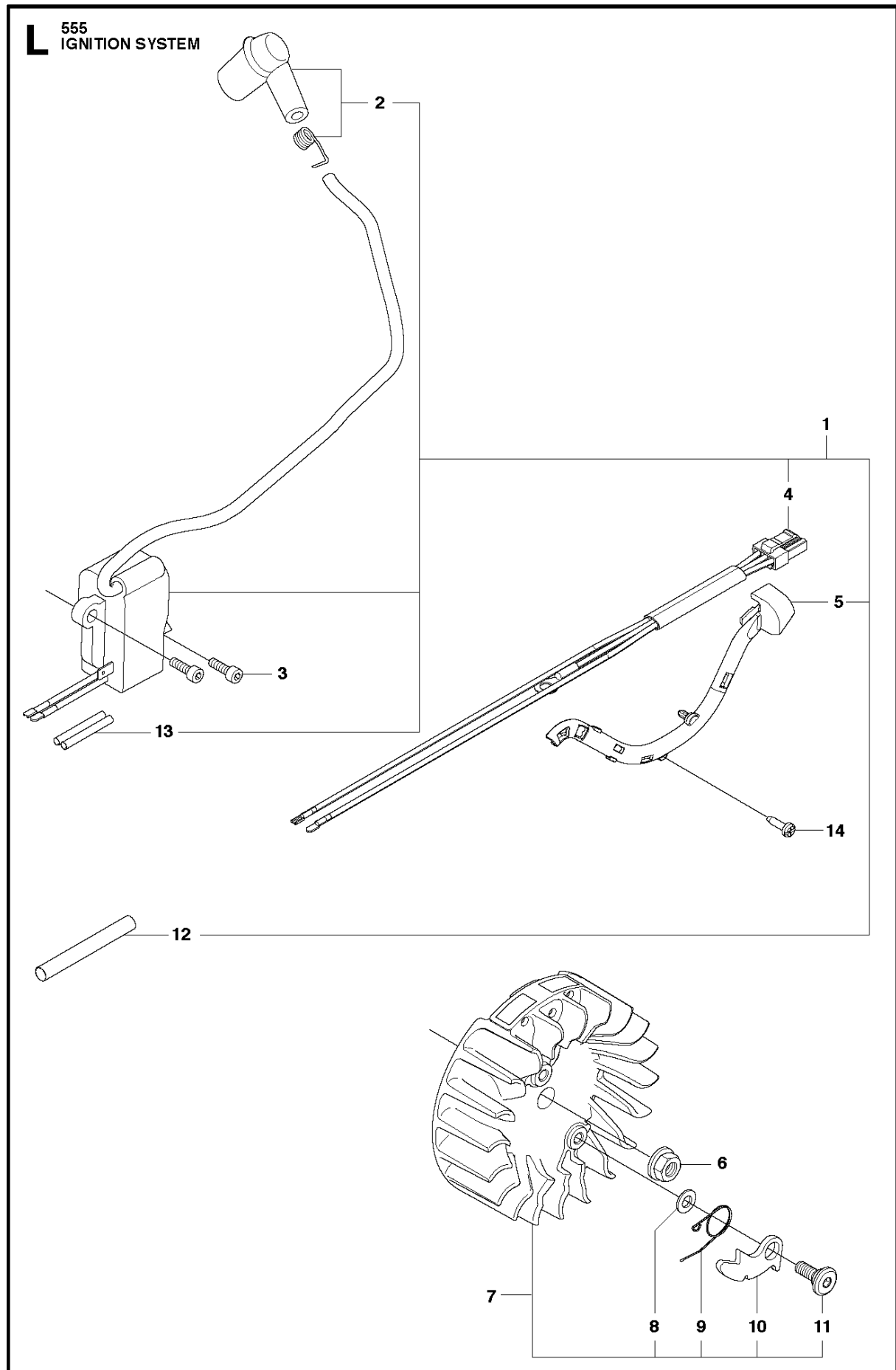


Ref	Part No	Description	Remark	QTY	KIT
1	503 21 28-13	SCREW CCRPANT		1	
2	504 10 63-01	HANDLE INSERT		1	
4	575 38 22-05	FUEL TANK ASSY		1	
5	537 35 95-01	TANK VENT ASSY		1	4
6	544 09 98-01	THROTTLE LOCKOUT		1	4
7	544 09 99-01	SPRING		1	4
8	505 15 77-01	THROTTLE		1	4
9	720 18 25-20	PARALLEL PIN		1	4
10	521 88 79-01	THROTTLE CABLE ASSY		1	4
11	503 21 88-74	SCREW IHSCFT		1	
12	573 99 35-03	FUEL HOSE		1	
13	503 44 32-01	FILTER		1	
14	505 16 59-01	COVER		1	
15	584 64 70-01	ANTIVIBRATION ELEMENT		1	
16	505 12 87-01	ANTIVIBRATION ELEMENT		1	
17	523 08 55-01	DEFLECTION LIMITER		1	
18	501 00 76-01	LATERAL SUPPORT		1	
19	522 62 00-01	TANK CAP ASSY		1	
20	537 21 50-01	SEALING		1	19
21	503 57 89-01	HOLDER		1	19
22	503 21 88-76	SCREW IHSCFT		1	
23	577 84 43-01	DECAL		1	4

K 555
HANDLE

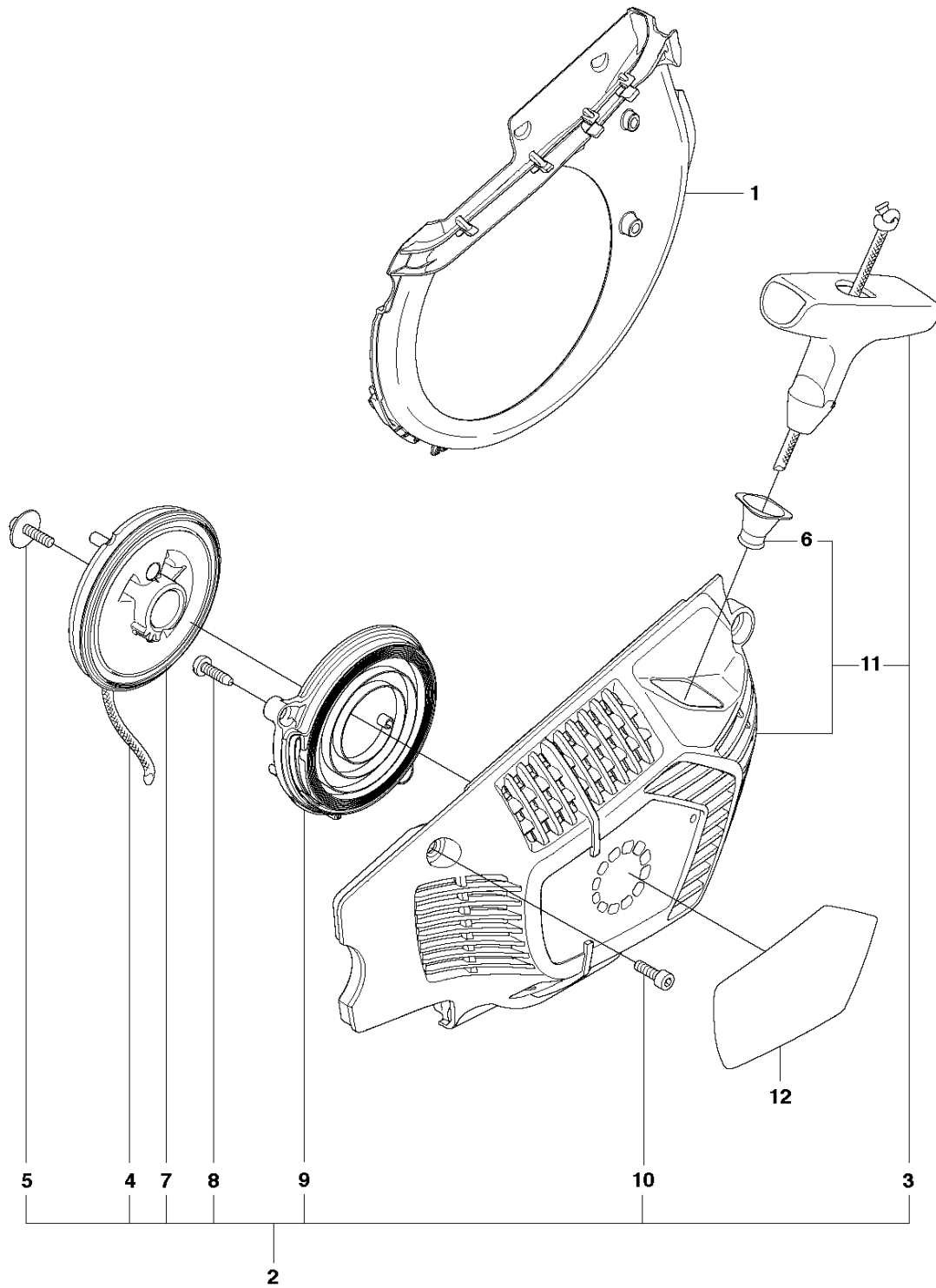


Ref	Part No	Description	Remark	QTY KIT	
1	575 38 89-01	FRONT HANDLE		1	
2	503 21 88-76	SCREW IHSCFT		2	1
3	503 21 88-72	SCREW IHSCFT		3	1
4	505 12 97-02	ANTIVIBRATION ELEMENT		1	1



Ref	Part No	Description	Remark	QTY	KIT
1	522 79 51-07	IGNITION MODULE ASSY	s/n up to - 20121499999 (14MHz)	1	
1	581 72 35-01	IGNITION MODULE ASSY	s/n from 20121500001 - (8MHz)	1	
2	501 48 54-04	SPARK PLUG CAP ASSY		1	1
3	503 20 02-20	SCREW IHSCFM		2	
4	575 43 06-01	WIRING ASSY	s/n up to - 20121499999 (14MHz)	1	
4	577 96 76-01	WIRING ASSY	s/n from 20121500001 - (8MHz)	1	1
5	505 17 82-01	CABLE HOLDER		1	1
6	503 22 04-01	NUT		1	
7	504 87 24-01	FLYWHEEL ASSY		1	
8	503 23 00-42	WASHER		2	7
9	501 67 35-01	SPRING		2	7
10	501 67 32-01	PAWL		2	7
11	501 81 99-01	SCREW		2	7
12	504 04 35-05	CABLE COVER		1	1
13	503 23 85-01	SHRINKAGE HOSE		2	1
14	503 21 28-13	SCREW CCRPANT		1	

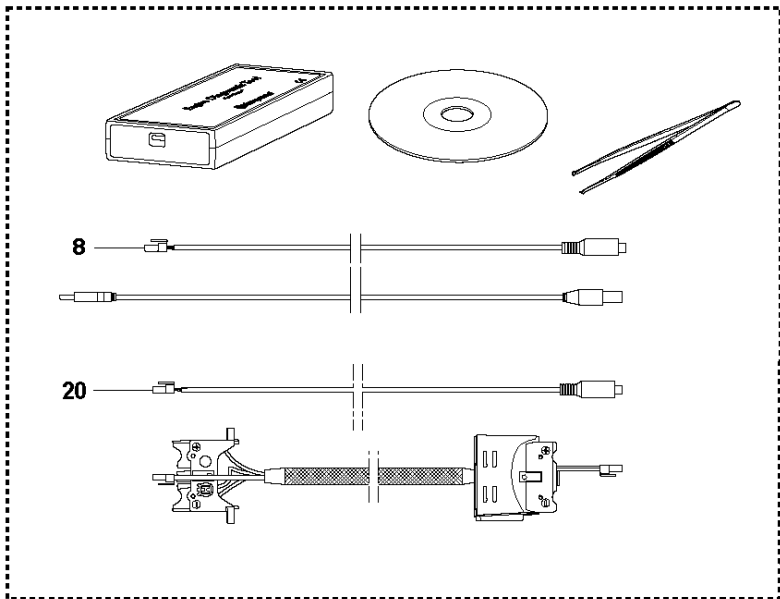
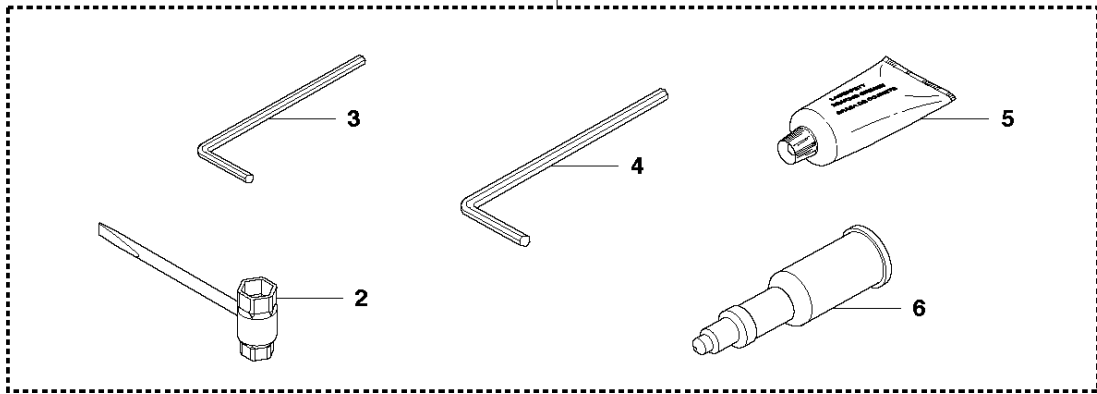
M 555
STARTER



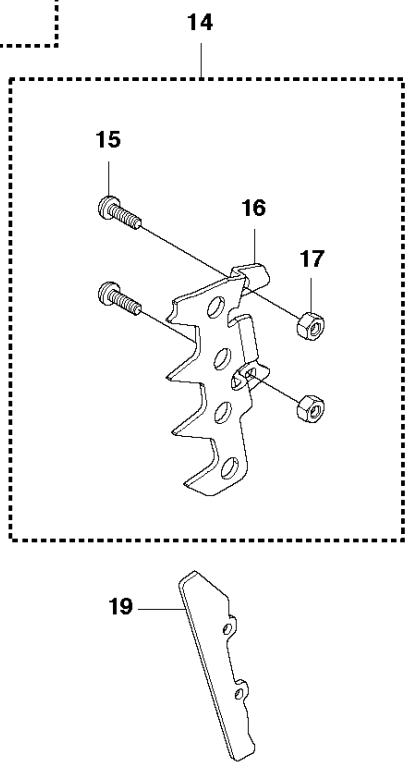
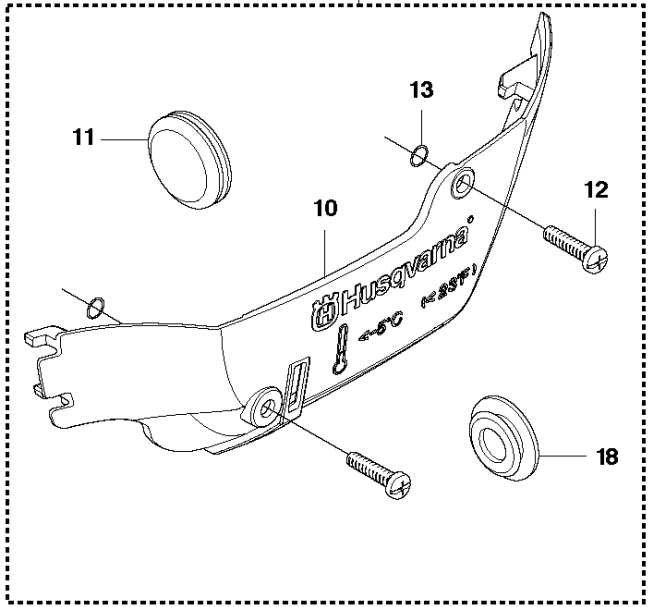
Ref	Part No	Description	Remark	QTY	KIT
1	505 15 75-01	COOLING AIR CONDUCTOR		1	
2	505 15 92-04	STARTER ASSY		1	
3	537 23 25-01	STARTER HANDLE		1	2
4	505 30 51-25	STARTER CORD		1	2
5	503 20 52-16	SCREW IHSCT		1	2
6	537 28 32-01	REINFORCEMENT SLEEVE		1	2, 11
7	505 15 81-01	STARTER PULLEY ASSY		1	2
8	503 21 28-13	SCREW CCRPANT		2	2
9	505 15 79-02	SPRING CASSETTE ASSY		1	2
10	544 08 03-01	SCREW CIHPANMO		4	2
11	505 15 91-02	STARTER HOUSING		1	2
12	523 03 56-01	LABEL		1	

Ref	Part No	Description	Remark	QTY	KIT
1	579 19 41-01	CARBURETTOR	s/n up to - 20121499999 (ZAMA EL44)	1	
1	579 19 41-06	CARBURETTOR	s/n from 20121500001 - (ZAMA EL47)	1	
2	522 54 51-01	SCREW		4	1
3	522 51 72-01	COVER		1	1
4	522 51 74-01	DIAPHRAGM		1	1, 50
5	522 51 75-01	GASKET		1	1, 50
6	503 47 97-01	VALVE		1	1
7	503 66 59-01	LEVER		1	1
8	537 38 34-01	SPRING		1	1
9	503 48 00-01	PIN RETAINING SCREW		1	1
10	503 48 01-01	SCREW		1	1
12	576 41 42-01	MAIN NOZZLE		1	1
13	523 07 72-01	VALVE		1	1
14	522 51 87-01	SPRING		1	1
15	522 51 77-01	LEVER		1	1
17	503 48 18-01	SCREW		3	1
18	504 62 77-01	CHOKE VALVE		1	1
19	522 51 83-01	SHAFT ASSY		1	1
20	502 07 84-01	SCREW		1	1
21	522 51 78-01	THROTTLE LEVER		1	1
23	522 51 85-01	THROTTLE SHAFT		1	1
24	502 07 87-01	SPRING		1	1
25	502 07 98-01	COLLAR		1	1
26	503 53 57-01	STRAINER		1	1
27	537 38 31-01	DIAPHRAGM PUMP		1	1, 50
28	537 40 33-01	DIAPHRAGM		1	1, 50
29	537 02 01-01	GASKET PUMP		1	1, 50
30	575 54 43-01	COVER		1	1
31	504 02 67-01	CIRCLIP		1	1
32	503 47 90-01	SCREW		1	1
33	522 51 76-01	CHOKE LEVER		1	1
38	506 39 66-01	SCREW		5	
39	522 51 81-01	SCREW		1	1
41	537 38 52-01	CLIP		1	1
42	522 51 80-01	SCREW		2	1
43	575 54 44-01	INLET		1	1
44	522 51 86-01	SPRING		1	1
46	537 17 70-01	VALVE		1	1
47	522 51 79-01	ROD		1	1
48	522 51 82-01	SHAFT ASSY		1	1
49	578 22 78-01	THROTTLE VALVE ASSY		1	1
50	522 51 89-01	KIT	B=set of gaskets	1	
52	-	TBD	Download from your local supportsite	1	

P 555
ACCESSORIES



WINTER KIT 555



Ref	Part No	Description	Remark	QTY KIT	
1	575 43 92-01	TOOL		1	
2	522 52 11-01	COMBINATION WRENCH		1	1
3	503 55 86-01	SPANNER		1	1
4	503 55 86-02	SPANNER		1	1
5	503 62 12-01	GREASE		1	1
6	501 91 14-01	GREASE GUN		1	1
7	583 89 71-01	DIAGNOSTIC TOOL KIT		1	
8	576 18 34-01	CABLE ASSY	Diagnostics cable 14 Mhz	1	7
9	522 98 65-02	WINTER KIT		1	
10	505 16 61-01	WINTER COVER		1	9
11	503 40 59-01	WINTER PLUG		1	9
12	503 21 70-16	SCREW CCRPANT		2	9
13	740 42 01-00	O-RING		2	9
14	577 01 40-03	SPIKE OUTER		1	
15	503 21 26-16	SCREW IHPANM		2	14
16	577 96 25-01	SPIKE OUTER		1	14
17	503 22 24-01	LOCKING NUT		2	14
18	578 12 55-01	WINTER PLUG		1	9
19	574 88 98-01	ENCLOSED KIT		1	
20	576 95 22-01	CABLE ASSY	Diagnostics cable 8 MHz	1	7