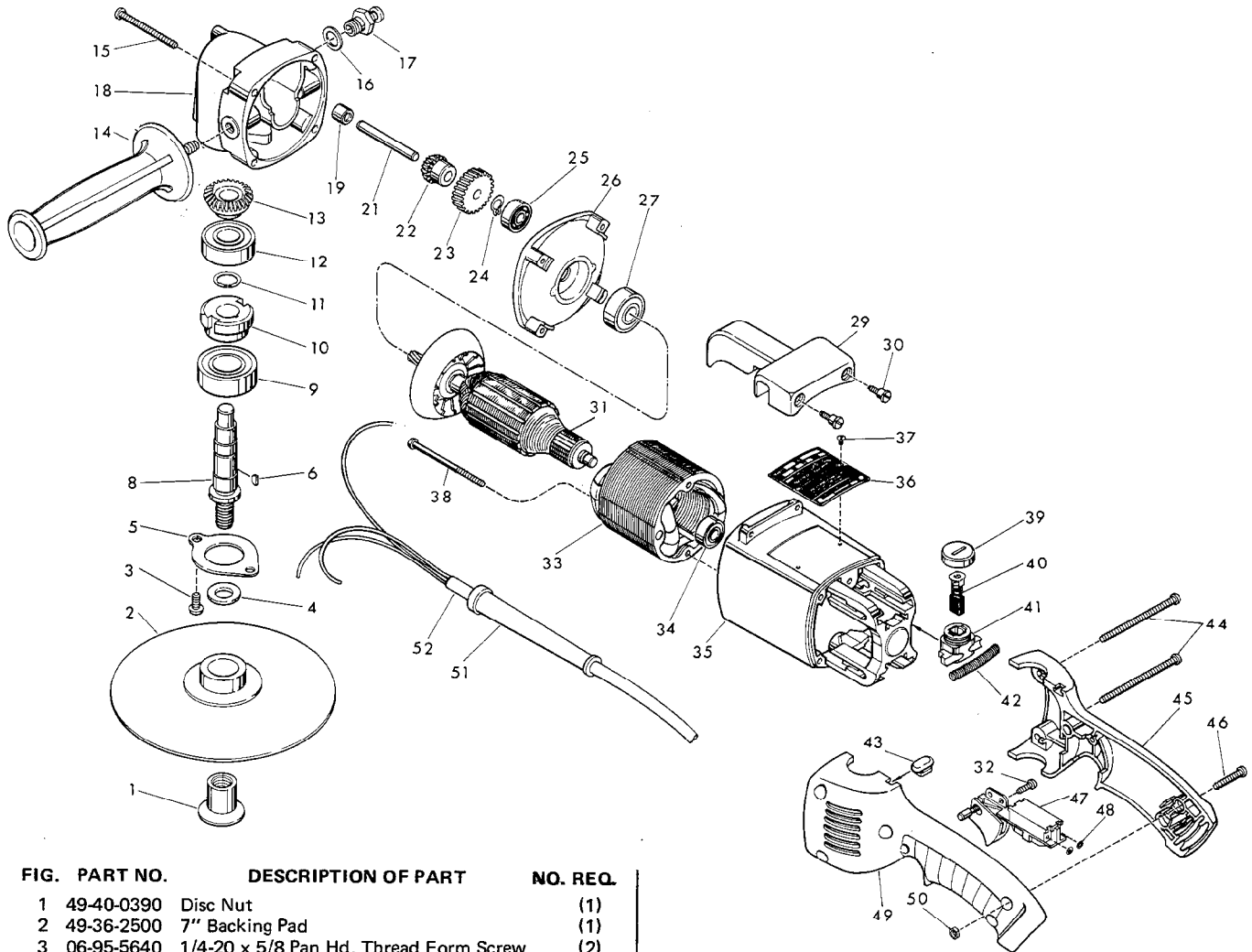




SERVICE PARTS LIST

BULLETIN NO.
54-32-1271

| | | | |
|--|-------------------------------------|--|-------------------|
| SPECIFY CATALOG NO. AND SERIAL NO. WHEN ORDERING PARTS | | REVISED BULLETIN 54-32-1270 | DATE Sept. '86 |
| 7" HEAVY-DUTY POLISER (2800 R.P.M.) | | | |
| CATALOG NO. 5535 | STARTING SERIAL NO. 677-9641 | WIRING INSTRUCTION 58-01-0301 | |
| CAT. NO. | START SER. NO. | BILINGUAL LABEL | |



| FIG. | PART NO. | DESCRIPTION OF PART | NO. REQ. |
|------|------------|--|----------|
| 1 | 49-40-0390 | Disc Nut | (1) |
| 2 | 49-36-2500 | 7" Backing Pad | (1) |
| 3 | 06-95-5640 | 1/4-20 x 5/8 Pan Hd. Thread Form Screw | (2) |
| 4 | 45-88-7790 | Rubber Washer | (1) |
| 5 | 45-88-7785 | Spindle Retaining Washer | (1) |
| 6 | 06-42-1600 | Woodruff Key | (1) |
| 8 | 38-50-5230 | Spindle Shaft | (1) |
| 9 | 02-04-2031 | Ball Bearing | (1) |
| 10 | 42-74-0070 | Spindle Locking Cog | (1) |
| 11 | 34-60-1290 | Retaining Ring | (1) |
| 12 | 02-04-1747 | Ball Bearing | (1) |
| 13 | 32-05-1081 | Bevel Gear | (1) |
| 14 | 43-62-0880 | Side Handle | (1) |
| 15 | 06-95-0375 | 10-14 x 1-7/8 Pan Hd. Thread Form Screw | (4) |
| 16 | 45-88-5320 | Flat Washer | (1) |
| 17 | 44-20-0211 | Spindle Lock Assembly | (1) |
| 18 | 28-14-1430 | Gear Case | (1) |
| 19 | 02-50-2200 | Needle Bearing | (1) |
| 20 | 14-73-0140 | Intermediate Gear Assy. (Incl. Fig. Nos. 21 thru 24) | (1) |
| 21 | — | Intermediate Shaft | (1) |
| 22 | — | Bevel Gear | (1) |
| 23 | — | Intermediate Gear | (1) |
| 24 | — | External Retaining Ring | (1) |
| 25 | 02-04-0910 | Ball Bearing | (1) |
| 26 | 28-28-1565 | Diaphragm | (1) |
| 27 | 02-04-1230 | Ball Bearing | (1) |

| FIG. | PART NO. | DESCRIPTION OF PART | NO. REQ. |
|------|------------|--|----------|
| 31 | 16-50-0110 | 120 Volt Armature | (1) |
| 32 | 06-95-0205 | 8-16 x 1/2 Pan Hd. Thread Form Screw | (1) |
| 33 | 18-50-0090 | 120 Volt Field | (1) |
| 34 | 02-04-0845 | Ball Bearing | (1) |
| ★35 | 31-50-0540 | Motor Housing | (1) |
| ★36 | 12-99-0280 | Nameplate Blank | (1) |
| 37 | 06-85-0200 | Nameplate Screw | (2) |
| ★38 | 06-82-7375 | 8-16 x 2-1/2" Torx Taptite Screw | (2) |
| ★39 | 23-44-0210 | Brush Retaining Screw | (2) |
| ★40 | 22-18-0680 | Carbon Brush Assembly | (2) |
| ★41 | 22-22-1325 | Brush Holder Assembly (Includes 22-20-0660 Brush Tube) | (2) |
| 42 | 40-50-7770 | Brush Holder Spring | (2) |
| 43 | 42-38-0190 | Bumper | (1) |
| 44 | 06-81-5775 | 10-24 x 2-3/4 Pan Hd. Screw | (2) |
| 45 | 31-44-1110 | Right Handle Half | (1) |
| 46 | 06-81-4206 | 10-24 x 7/8 Pan Hd. Screw | (3) |
| 47 | 23-66-0165 | Switch | (1) |
| 48 | 06-97-1700 | No. 5 Internal Tooth Lock Washer | (4) |
| 49 | 31-44-1115 | Left Handle Half | (1) |
| 50 | 06-55-1050 | 10-24 Hex Nut | (5) |
| 51 | 44-76-0050 | Cord Protector | (1) |
| ★52 | 22-64-0790 | Cord Set | (1) |