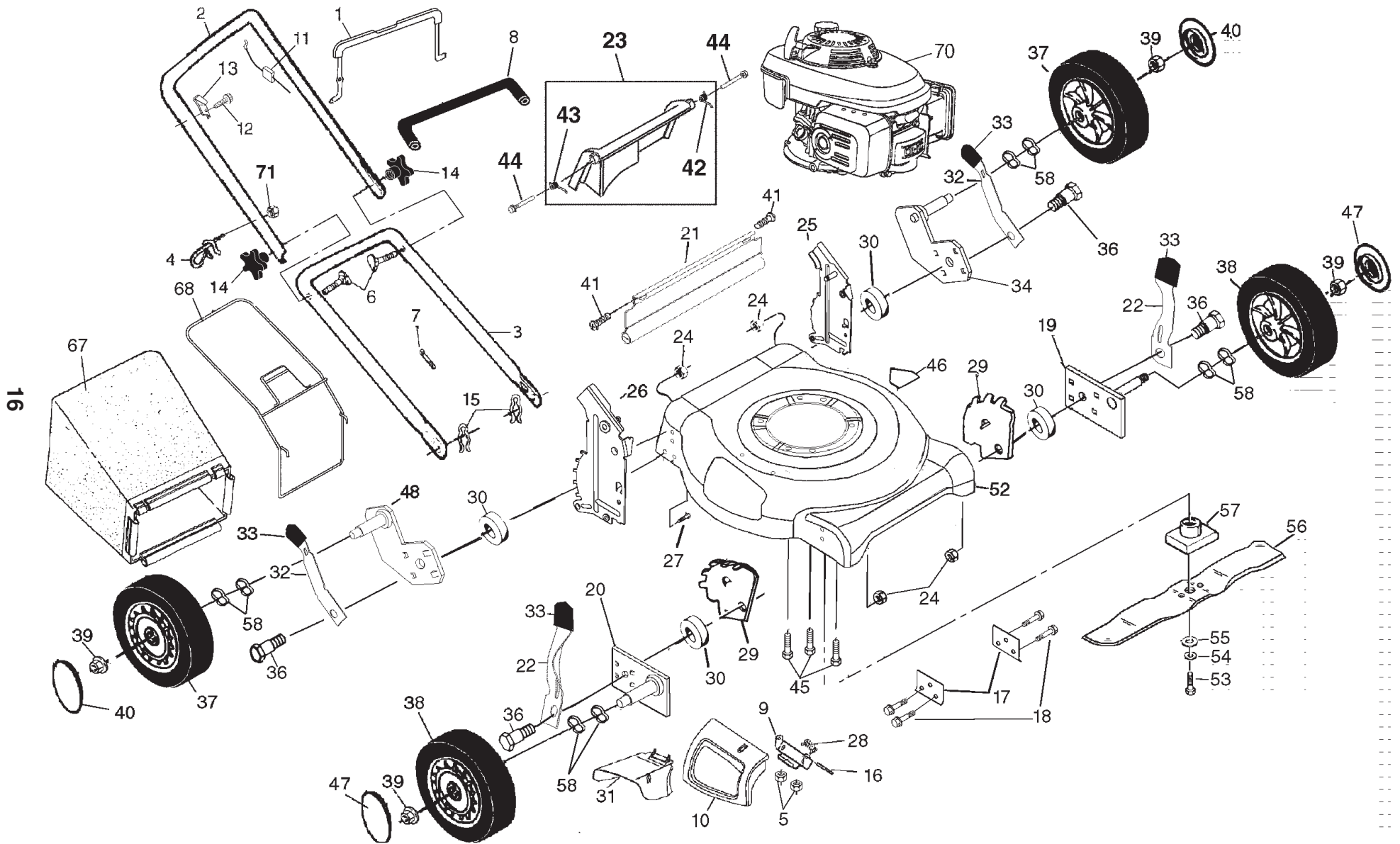


# ROTARY LAWN MOWER - - MODEL NUMBER 5521CM (5521CMA) - PRODUCT NUMBER 954 22 34-87



# ROTARY LAWN MOWER - - MODEL NUMBER 5521CM (5521CMA) - PRODUCT NUMBER 954 22 34-87

KEY NO.	PART NO.	DESCRIPTION
1	532 17 65-55	Control Bar
2	532 17 36-58	Upper Handle, with Grip
3	532 17 41-10	Lower Handle
4	532 17 95-85	Rope Guide
5	532 06 36-01	Locknut 1/4-20
6	532 13 19-59	Handle Bolt
7	532 06 64-26	Wire Tie
8	532 16 42-65	Grip, Foam
9	532 15 41-32	Hinge Bracket
10	532 18 55-89	Mulcher Door
11	532 17 65-56	Engine Zone Control Cable
12	532 75 06-34	Hex Washer Head Screw
13	532 12 52-03	Up-Stop Bracket
14	532 18 55-88	Handle Knob
15	532 05 17-93	Hairpin Cotter
16	532 14 72-86	Hinge Rod
17	532 17 41-12	Support Bracket
18	817 60 04-06	Screw
19	532 16 86-05	Axle Arm Assembly - LF
20	532 16 86-04	Axle Arm Assembly - RF
21	532 16 58-58	Rear Skirt
22	532 16 85-99	Selector Spring - Front
23	532 16 68-75	Rear Door Assembly Kit (Includes Springs)
24	873 93 05-00	Locknut 5/16-18
25	532 17 41-05	Handle Bracket Assembly (Left)
26	532 17 41-06	Handle Bracket Assembly (Right)
27	532 85 18-56	Screw 1/4-20 x 3/8
28	532 15 21-24	Hinge Spring
29	532 16 57-04	Wheel Adjusting Bracket - Front
30	532 18 39-01	Spacer
31	532 18 55-95	Clip on Discharge Guard
32	532 18 57-16	Selector Spring - Rear

KEY NO.	PART NO.	DESCRIPTION
33	532 18 55-74	Selector Knob
34	532 18 57-18	Axle Arm Assembly - LR
36	532 16 08-28	Shoulder Bolt 5/16-18
37	532 18 01-83	Wheel Assembly, Rear
38	532 18 05-41	Wheel Assembly, Front
39	532 08 39-23	Flanged Locknut
40	532 18 01-23	Hubcap
41	532 08 86-52	Hinge Screw
42	532 16 57-66	Spring (LH)
43	532 16 57-67	Spring (RH)
44	532 18 41-93	Door Bolt
45	532 15 04-06	Hex Head Thread Rolling Screw 3/8-16 x 1
46	532 10 73-39	Danger Decal
47	532 18 06-26	Hubcap
48	532 18 57-17	Axle Arm Assembly - RR
52	532 16 36-62	Housing Assembly (Includes Key Numbers 17, 18 and 46)
53	532 85 10-84	Hex Head Screw 3/8-24 x 1-3/8 Grade 8
54	532 85 02-63	Helical Lockwasher
55	532 85 10-74	Hardened Washer
56	532 17 50-64	21" Blade
57	532 85 15-14	Blade Adapter
58	532 05 71-43	Washer, Wave
67	532 18 55-93	Grass Bag
68	532 18 03-32	Catcher Frame
70	- - -	Engine, Honda, Model Number GCV-160 (Order parts from engine manufacturer)
--	532 16 23-00	Warning Decal (Not Shown)
--	532 18 55-91	Owner's Manual, English / French

**NOTE:** All component dimensions given in U.S. inches.  
1 inch = 25.4 mm