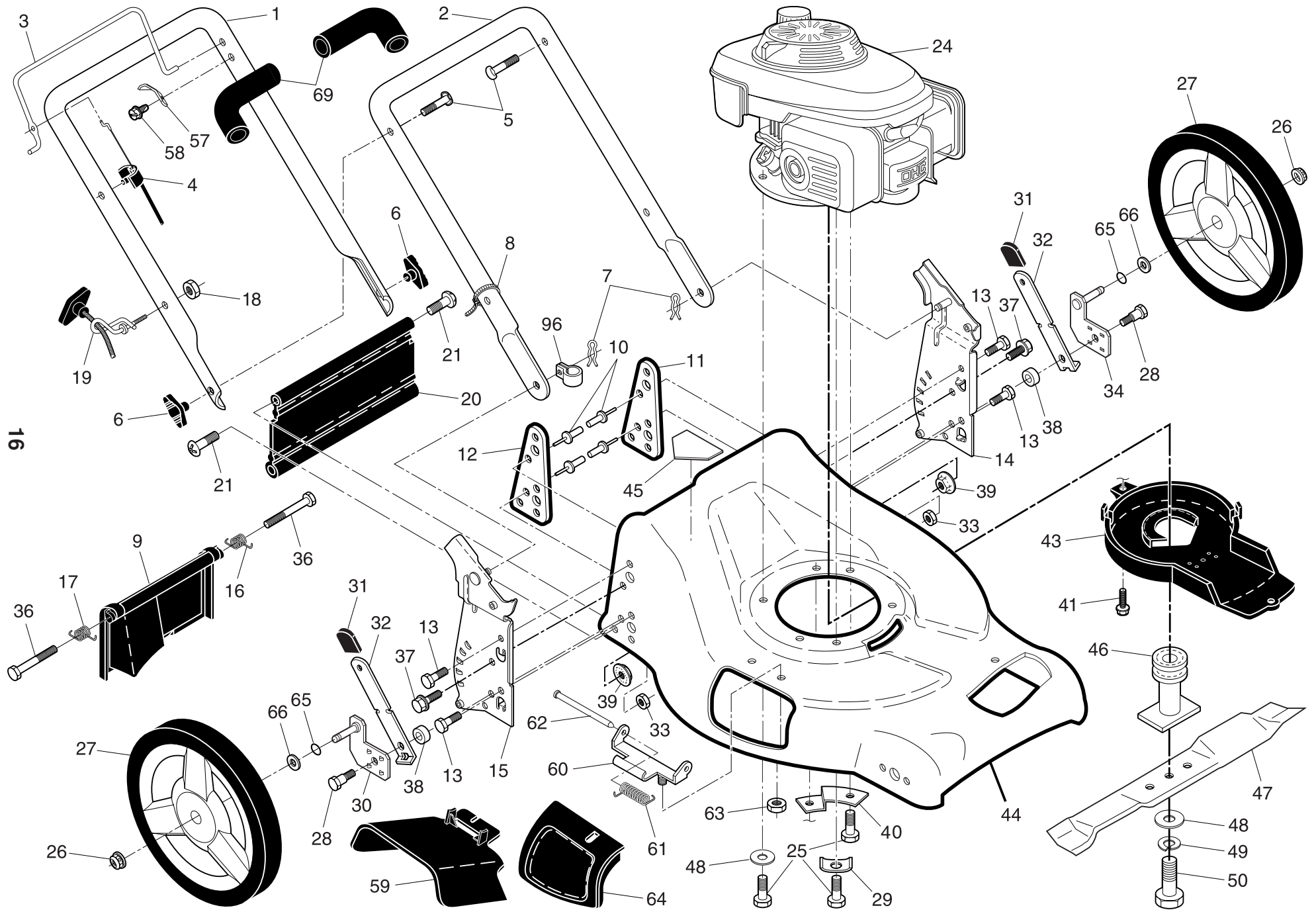


ROTARY LAWN MOWER - - MODEL NUMBER 5521CHV (96143000107) - PRODUCT NUMBER 961 43 00-01



ROTARY LAWN MOWER - - MODEL NUMBER 5521CHV (96143000107) - PRODUCT NUMBER 961 43 00-01

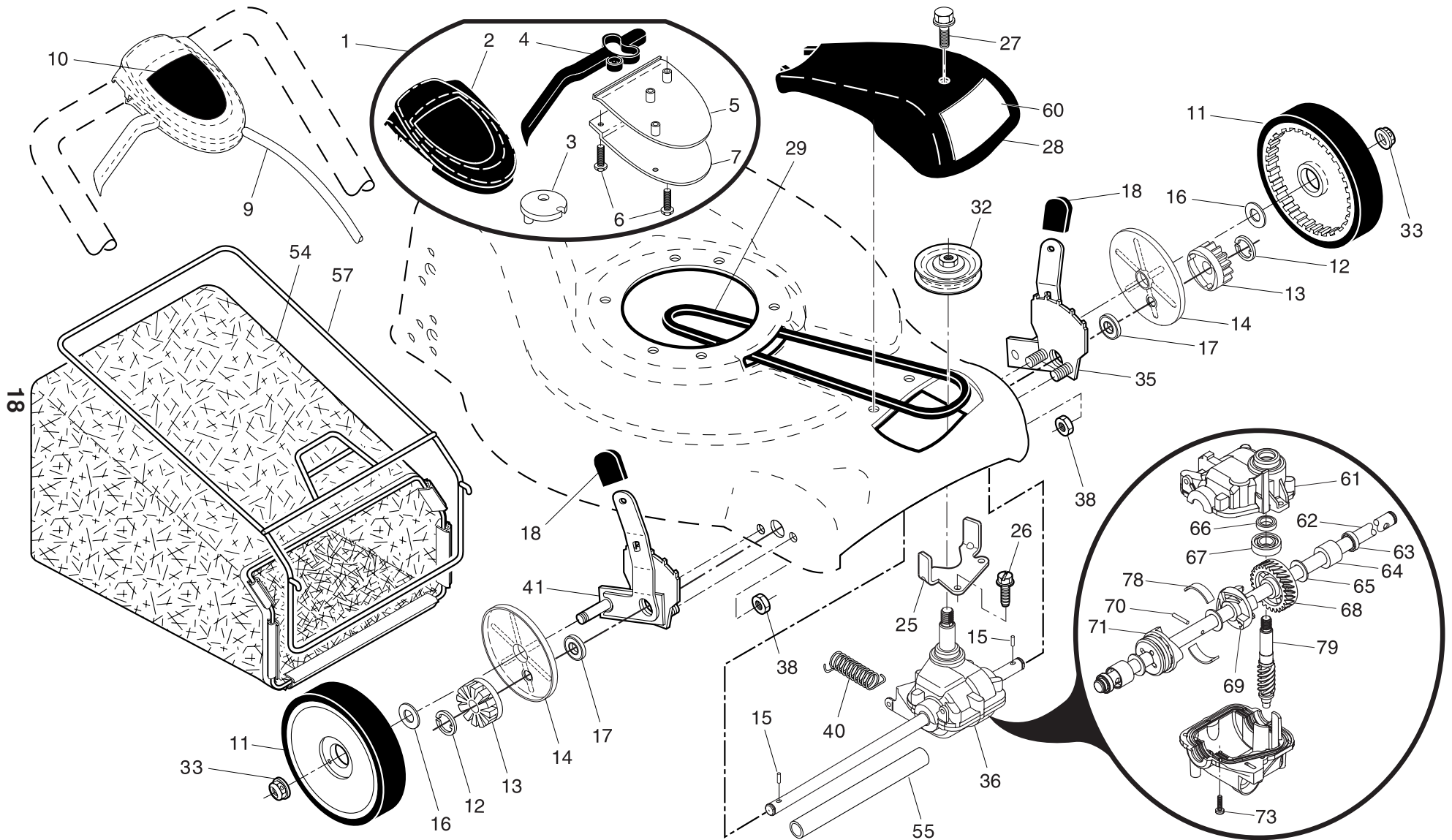
17

KEY NO.	PART NO.	DESCRIPTION	KEY NO.	PART NO.	DESCRIPTION
1	532 19 64-03	Upper Handle, with Foam Grip	32	532 19 01-57	Selector Spring
2	532 15 34-18	Lower Handle	33	873 80 05-00	Nut, Hex 5/16-18
3	532 19 70-19	Control Bar	34	532 40 25-72	Axle Arm Assembly, Rear, LH
4	532 18 35-67	Engine Zone Control Cable	36	532 18 41-93	Bolt
5	532 19 15-74	Handle Bolt	37	874 78 05-12	Thread Cutting Screw w/Sems 5/16-18 x 3/4
6	532 19 18-56	Handle Knob	38	819 11 22-06	Washer
7	532 05 17-93	Hairpin Cotter	39	532 19 85-41	Nut, Hex, Flangelock 5/16-18
8	532 06 64-26	Wire Tie	40	532 19 09-39	Mounting Bracket, Debris Shield
9	532 40 69-85	Rear Door Assembly	41	532 19 23-25	Screw
10	532 12 84-15	Pop Rivet	43	532 40 58-44	Debris Shield
11	532 41 05-40	Support Bracket, LH	44	532 40 89-89	Kit, Lawn Mower Housing (Includes Key Numbers 10, 11, 12 and 45)
12	532 41 05-42	Support Bracket, RH	45	532 40 47-63	Danger Decal
13	817 06 04-10	Screw 1/4-20 x 5/8	46	532 19 40-37	Blade Adapter / Pulley
14	532 19 60-37	Handle Bracket Assembly, LH	47	532 18 90-28	Blade, 21"
15	532 19 60-36	Handle Bracket Assembly, RH	48	532 85 10-74	Hardened Washer
16	532 40 54-17	Spring, Rear Door, LH	49	532 85 02-63	Helical Washer 3/8-24 x 1-3/8 Grade 8
17	532 40 54-18	Spring, Rear Door, RH	50	532 85 10-84	Hex Head Machine Screw 3/8-24 x 1-3/8 Grade 8
18	532 13 20-04	Keps Locknut 1/4-20	57	532 12 51-62	Upstop Bracket
19	532 19 47-88	Rope Guide	58	532 75 06-34	Screw
20	532 18 90-05	Rear Skirt	59	532 18 55-82	Discharge Deflector
21	532 08 86-52	Screw, Hinge 1/4-20 x 1/2	60	532 17 57-35	Hinge Bracket
24	- - -	Engine, Honda, Model Number GCV160 (For engine service and replacement parts, call Honda Engines at 1-800-426-7701)	61	532 19 30-00	Spring
25	532 15 04-06	Hex Head Thread Rolling Screw 3/8-16 x 1-1/8	62	532 17 56-50	Hinge Rod
26	532 14 52-12	Hex Flange Nut	63	873 80 04-00	Nut, Hex
27	532 41 08-15	Wheel & Tire Assembly, Rear, 12"	64	532 18 55-76	Mulcher Door
28	532 16 08-28	Shoulder Bolt 5/16-18 x .33	65	532 19 74-80	O-Ring
29	532 12 50-78	Washer, Engine, Zinc-Plated	66	532 08 83-48	Washer, Flat 1/2
30	532 40 25-71	Axle Arm Assembly, Rear, RH	69	532 18 27-48	Grip, Foam
31	532 18 55-74	Selector Knob	96	532 19 79-91	Clip, Cable
			--	532 40 47-64	Decal, Warning (not shown)
			--	532 41 32-31	Owner's Manual, English / French

NOTE: All component dimensions given in U.S. inches. 1 inch = 25.4 mm

IMPORTANT: Use only Original Equipment Manufacturer (O.E.M.) replacement parts. Failure to do so could be hazardous, damage your lawn mower and void your warranty.

ROTARY LAWN MOWER - - MODEL NUMBER 5521CHV (96143000107) - PRODUCT NUMBER 961 43 00-01



ROTARY LAWN MOWER - - MODEL NUMBER 5521CHV (96143000107) - PRODUCT NUMBER 961 43 00-01

KEY NO.	PART NO.	DESCRIPTION	KEY NO.	PART NO.	DESCRIPTION
1	532 40 73-16	Drive Control Assembly	35	532 40 91-08	Kit, Wheel Adjuster, LH (Includes Knob and Bearing)
2	532 18 55-79	Cover, Drive Control, Upper	36	532 40 48-33	Gearcase Assembly, Complete
3	532 40 62-62	Pulley	38	873 80 04-00	Locknut, Hex 1/4-20
4	532 19 00-39	Lever, Drive Control	40	532 40 65-58	Spring
5	532 19 57-62	Cover, Drive Control, Lower	41	532 40 91-07	Kit, Wheel Adjuster, RH (Includes Knob and Bearing)
6	532 18 16-98	Screw	54	532 40 11-90	Grassbag Assembly
7	532 40 07-23	Mounting Bracket, Drive Control	55	532 17 57-39	Driveshaft Cover
9	532 40 62-59	Cable, Drive	57	532 40 18-02	Frame, Grassbag
10	532 18 93-78	Decal, Drive Control	60	532 19 35-57	Decal, Drive Cover
11	532 41 10-81	Wheel & Tire Assembly	61	532 41 07-26	Case, Upper
12	812 00 00-58	E-Ring	62	532 41 09-49	Shaft, Output
13	532 40 38-49	Pinion	63	532 18 35-08	Seal, Output Shaft
14	532 18 94-03	Dust Cover	64	532 18 35-11	Bushing
15	532 19 10-17	Pawl, Drive	65	532 18 35-09	Washer
16	532 06 77-25	Washer 1/2 x 1-1/2 x .134	66	532 18 35-14	Seal, Worm Shaft
17	532 19 10-39	Bearing, Wheel Adjuster	67	532 18 35-06	Bearing, Ball
18	532 18 55-74	Selector Knob	68	532 41 07-29	Gear, 28 Teeth
25	532 19 90-89	Belt Keeper	69	532 41 07-32	Fixed Dog Clutch
26	532 16 34-09	Screw, Hi-Lo Thread	71	532 41 07-30	Movable Dog Clutch
27	532 17 52-62	Pan Head Tapping Screw #10-24 x 2-3/4	73	532 18 35-13	Screw, Case
28	532 18 55-79	Drive Cover	74	532 41 07-34	Case, Lower
29	532 19 41-49	V-Belt	79	532 41 07-27	Shaft, Worm
32	532 19 40-18	Drive Pulley			
33	532 08 39-23	Locknut, Hex			

NOTE: All component dimensions given in U.S. inches. 1 inch = 25.4 mm

IMPORTANT: Use only Original Equipment Manufacturer (O.E.M.) replacement parts. Failure to do so could be hazardous, damage your lawn mower and void your warranty.