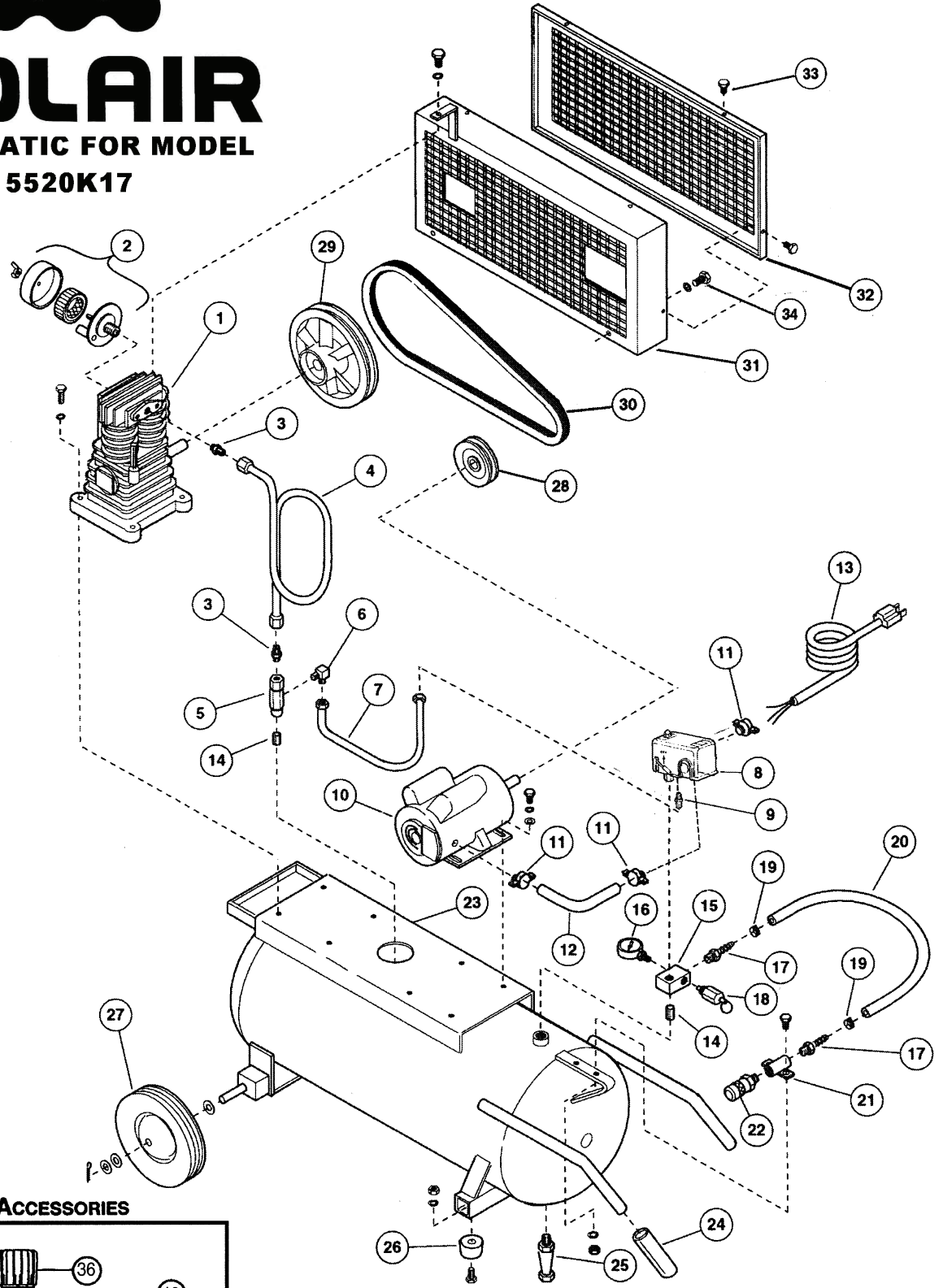
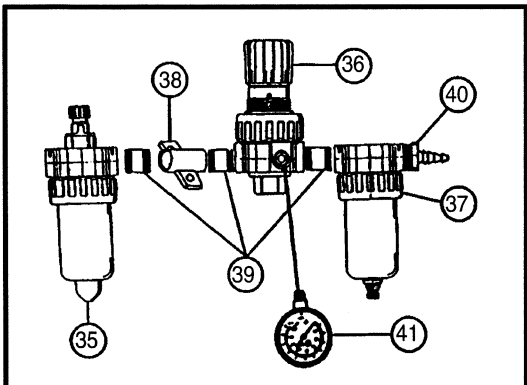


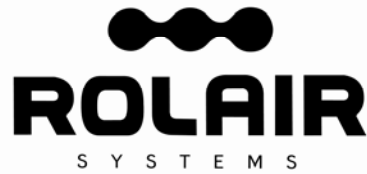
ROLAIR

**SCHEMATIC FOR MODEL
5520K17**



OPTIONAL ACCESSORIES





PARTS LIST FOR MODEL 5520K17

Schematic #	Description	Part #	Qty.
1	Twin Cylinder Pump w/Flywheel Twin Cylinder Pump Less Flywheel	PMP12K17CH	1
		PMP12K17CHLF	1
2	Silencer/Filter Assembly	FS14050	1
3	Filter Element – Replacement for Above	431	1
		BRST0500X050038	2
4	Discharge Tube*	5520K17-DISCH TB	1
5	Check Valve**	CV4X4L1	1
6	Brass Elbow	BREL0250X012539	1
7	¼" Nylon Tubing	Specify Serial Number	1
8	Pressure Switch	PS2020M	1
9	Pressure Switch Relief Valve	PS2020RV	1
10	1.5 HP Motor 1.5 HP Motor w/Dual Voltage Switch	MTRC101	1
		MTRC102	1
11	Box Connector	161	3
12	Cord - 19"	173	1
13	Cord w/Plug	170	1
14	Nipple	BLNP0500X1500	2
15	Aluminum Block Manifold***	154	1
16	Gauge – Tank	GA0250200GC	1
17	Brass Coupler	BRCP0375X0375H12	2
18	Safety Relief Valve – Non-Code Models	SRV0250N165	1
19	Safety Relief Valve – ASME Models Hose Clamp	SRV0250A150	1
		177A	2
20	3/8" Rubber Hose – 16"	178A	1.34'
21	Accessory Bracket	210	1
22	Quick Disconnect	309A	1
23	20 Gallon Tank Assembly – Non-Code 20 Gallon Tank Assembly – ASME	TNKASY5520NC	1
		TNKASY5520A	1
24	Handle Grip	328	2
25	Drain Valve	132BV	1
26	Rubber Foot	219	2
27	Semi-Pneumatic Tire	WLS40	2
28	Pulley	PUAK54X0875	1
29	Flywheel	31007280CH	1
30	Belt	BT4L480	1
31	Belt Guard Base	BG566A	1
32	Belt Guard Cover	BG567	1
33	Screw	MIS10093C	4
34	Washer Lock Washer Bolt	MIS10108	2
		MIS10098	2
		MIS10004	2
			2
	ACCESSORIES		
35	Lubricator	LUB0375	1
36	Regulator	REG0375	1
37	Filter	FIL0375	1
38	Accessory Bracket	210	1
39	Nipple	BLNP0375X1500	3
40	Brass Coupler	BRCP0375X0375H12	1
41	Gauge - Line	GA0250200GC	1

*Consult factory for discharge tube part # if your unit is equipped with a pulsation chamber.

**Order part #CV4X4L2 if unit is built with dual controls.

***Order part #154D if unit is built with dual controls.

