



# 1/2-inch Pneumatic Drill

#550670, JCT-5670



## Operation & Parts Manual

M-550670

Edition 3

11/2018

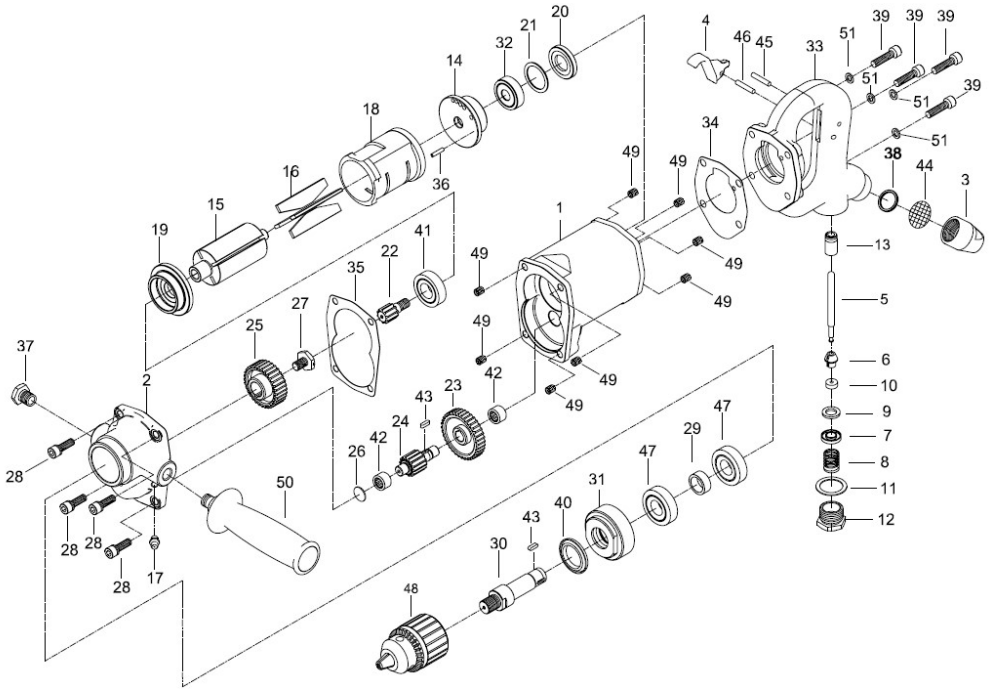


Stock No.:
Serial No.:
Purchased from:
Date purchased:

**JET**  
427 New Sanford Road  
LaVergne, TN 37086  
Ph.: 800-274-6848  
[www.jettools.com](http://www.jettools.com)

Copyright © 2017 JET

# #550670, JCT-5670 1/2-inch Pneumatic Drill



## #550670, JCT-5670 1/2-inch Pneumatic Drill

Index	Part No.	Description	Qty
1	JCT5670-01	Housing	1
2	7H-753502	Gear Case	1
3	7H-753503	Air Inlet 3/8in. NPT	1
4	7H-753504	Throttle Valve Lever	1
5	7H-753505	Throttle Valve Rod	1
6	7H-753506	Throttle	1
7	7H-753507	Throttle Valve Washer	1
8	7H-753508	Spring	1
9	7H-753509	Rubber Plate	1
10	7H-753510	Rubber Ring	1
11	7H-753511	Cover Packing	1
12	7H-753512	Throttle Valve Cover	1
13	7H-753513	Bushing	1
14	7H-753514	End Plate	1
15	7H-753515	Rotor	1
16	7H-753516	Vane	4
17	7H-753517	Grease Fitting M6	1
18	7H-753518	Cylinder	1
19	7H-753519	Front Plate	1
20	7H-753520	Bearing Cover	1
21	7H-753521	Packing	1
22	7H-753522	Pinion 10T	1
23	7H-753523	Gear 36T	1
24	7H-753524	Pinion 14T	1
25	7H-753525	Gear 32T	1
26	7H-753526	Bearing Cover	1

Index	Part No.	Description	Qty
27	7H-753527	Spindle Screw	1
28	TS-1503051	Soc. Hd. Cap Screw M6x20	4
29	7H-753529	Collar	1
30	7H-753530	Spindle	1
31	7H-753531	Spindle Bearing Cover	1
32	BB-6200Z	Ball Bearing 6200Z	1
33	7H-753533	Handle	1
34	7H-753534	Gasket	1
35	7H-753535	Gasket	1
36	AH-2X	Spring Pin 3x14 mm	1
37	7H-753537	Screw	1
38	7H-753538	Washer	1
39	TS-1503061	Soc. Hd. Cap Screw M6x25	4
40	7H-753532	Oil Seal ZF-5	1
41	BB-6002ZZ	Ball Bearing 6002ZZ	1
42	0BA66	Needle Bearing BA66	2
43	61017	Key 3x3x10	2
44	7H-753544	Filter	1
45	PN04002408	Pin 4x25 mm	1
46	610125	Pin 4x22 mm	1
47	BB-6202ZZ	Ball Bearing 6202ZZ	2
48	10033-17	Drill Chuck 1/2-20UNF	1
49	7H-753556	Screw Thread Insert M6	8
50	JAT450-54	Side Handle	1
51	JCT5670-51	Washer	4
52	CK-15	Chuck key 1/2in. (not shown)	1

JCT5670-RPK, Repair Kit, contains #5,6,7,8,9,10,11

JCT5670-RBK, Rebuild Kit, contains #14,15,16(4),19,34,35