



Pneumatic Sand Rammer

s/n 16080291 and higher **#550600, JCT-1600**

s/n after 16080174 **#550601, JCT-1601**

s/n after 16080130 **#550602, JCT-1602**

s/n after 16080090 **#550603, JCT-1603**

s/n after 18080126 **#550604, JCT-1604**

s/n 16080060 and higher **#550605, JCT-1605**



JCT-1605

JCT-1600

Operation & Parts Manual

M-550600

Edition 3

11/2018

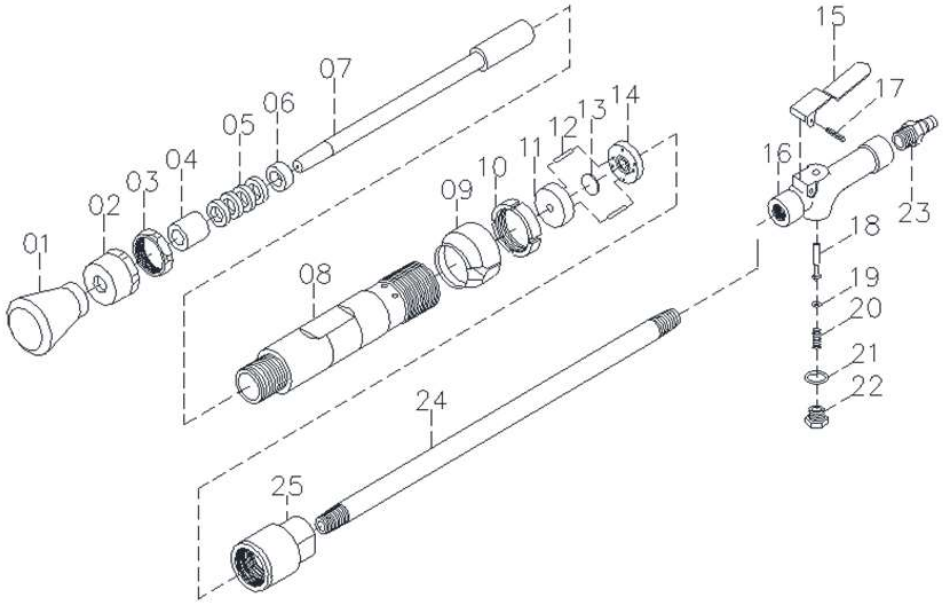


Stock No.:
Serial No.:
Purchased from:
Date purchased:

JET
427 New Sanford Road
LaVergne, TN 37086
Ph.: 800-274-6848
www.jettools.com

Copyright © 2017 JET

#550603, JCT-1603 Floor Sand Rammer



Index	Part No.	Description	Qty
1	JCT1601-01	Butt	1
2	JCT1601-02	Clamp nut	1
3	JCT1601-03	Lock nut	1
4	JCT1601-04	Piston bushing	1
5	JCT1601-05A	Rubber ring	5
6	JCT1601-06	Packing	1
7	JCT1601-07	Piston 260mm	1
8	JCT1601-08	Cylinder	1
9	JCT1601-09	Exhaust cover	1
10	JCT1601-10	Lock nut	1
11	JCT1601-11	Front valve seat	1
12	JCT1601-12	Valve pin 3x18.8mm	2
13	JCT1601-13	Valve	1

Index	Part No.	Description	Qty
14	JCT1601-14	Valve seat	1
	JCT1603-HA	Handle Assembly (#15-22)	1
15	JCT1603-15	Throttle lever	1
16	JCT1603-16	Handle body	1
17	130604022	Spring pin 4x22mm	2
18	JCT1603-18	Throttle	1
19	JCT1603-19	O-ring 3.7x1.7mm	1
20	JCT1603-20	Spring	1
21	JAT310-02	O-ring P9 NBR 8.8x1.9mm	1
22	JCT1603-22	Throttle valve plug	1
23	JCT1601-24	Coupling 3/8in. PT	1
24	JCT1603-24	Pipe	1
25	JCT1603-25	Cap	1

JCT1603-RPK, Repair Kit, contains #1,4,5(5),6,18,19,20,21

JCT1601-RBK, Rebuild Kit, contains #11,12(2),13,14