



SERVICE PARTS LIST

BULLETIN NO.
54-32-1020

SPECIFY CATALOG NO. AND SERIAL NO. WHEN ORDERING PARTS		REVISED BULLETIN	DATE
7" HEAVY-DUTY D.I. POLISHER (1750 R.P.M.)			May '93
CATALOG NO.	5456	STARTING SERIAL NO.	813A
		WIRING INSTRUCTION 58-01-0295	

EXAMPLE:
Component Parts (Small #) Are Included
When Ordering The Assembly (Large #).

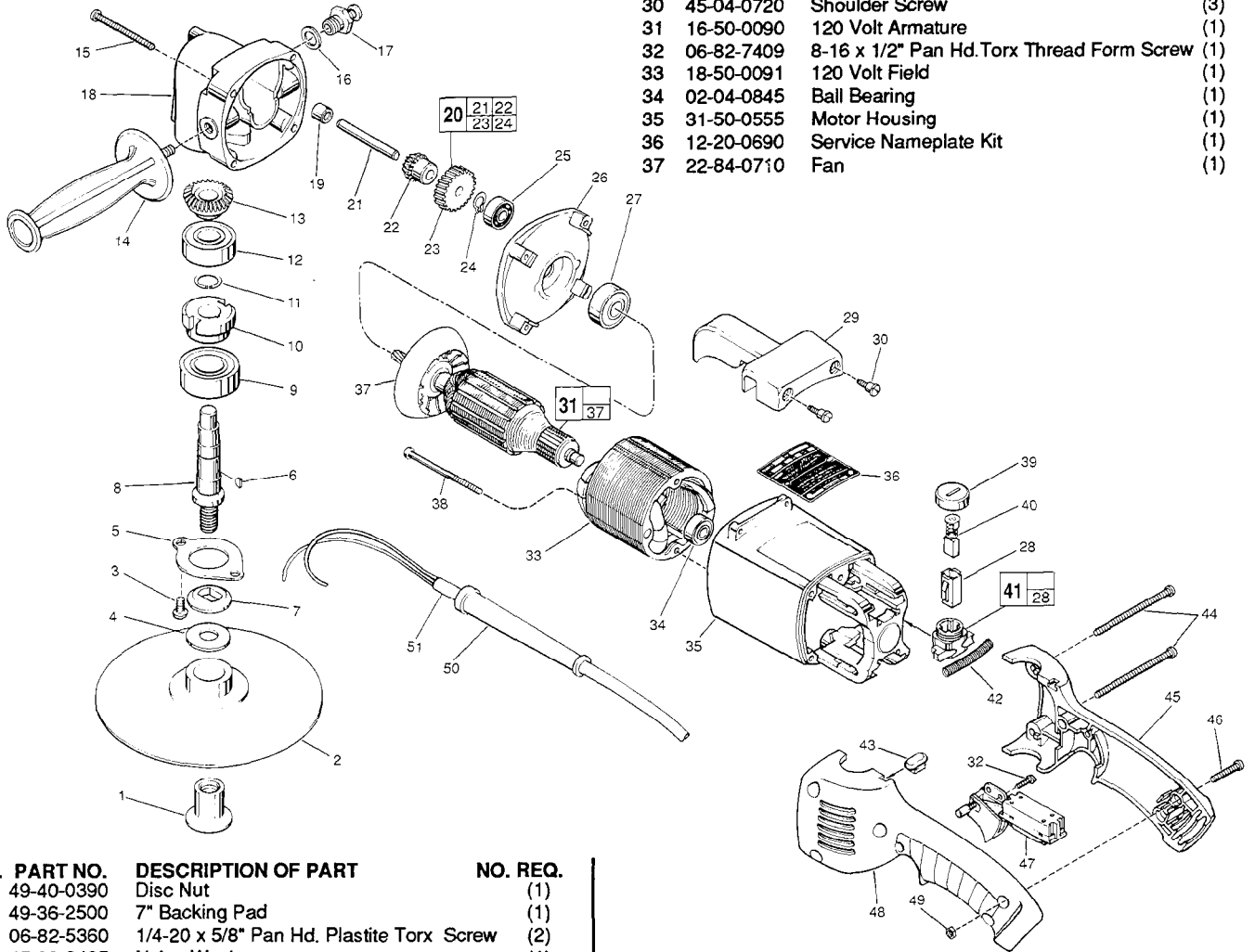


FIG. PART NO.	DESCRIPTION OF PART	NO. REQ.
1	49-40-0390 Disc Nut	(1)
2	49-36-2500 7" Backing Pad	(1)
3	06-82-5360 1/4-20 x 5/8" Pan Hd. Plastite Torx Screw	(2)
4	45-88-8465 Nylon Washer	(1)
5	45-88-7785 Spindle Retaining Washer	(1)
6	06-42-1600 Woodruff Key	(1)
7	49-05-0060 Washer Flange	(1)
8	38-50-5231 Spindle Shaft	(1)
9	02-04-2031 Ball Bearing	(1)
10	42-74-0070 Spindle Locking Cog	(1)
11	34-60-1290 Retaining Ring	(1)
12	02-04-1747 Ball Bearing	(1)
13	32-05-1081 Bevel Gear	(1)
14	43-62-0880 Side Handle	(1)
15	06-82-7441 10-14 x 1-7/8" Pan Hd. Plastite Torx Screw	(4)
16	45-88-5320 Flat Washer	(1)
17	44-20-0211 Spindle Lock Assembly	(1)
18	28-14-1430 Gear Case	(1)
19	02-50-2200 Needle Bearing	(1)
20	14-73-0130 Intermediate Gear Assy.	(1)
21	Intermediate Shaft	(1)
22	Bevel Gear	(1)
23	Intermediate Gear	(1)
24	External Retaining Ring	(1)
25	02-04-0910 Ball Bearing	(1)
26	28-28-1565 Diaphragm	(1)
27	02-04-1229 Ball Bearing	(1)
28	22-20-0660 Brush Tube	(2)

FIG. PART NO.	DESCRIPTION OF PART	NO. REQ.
29	31-70-0110 Tool Rest	(1)
30	45-04-0720 Shoulder Screw	(3)
31	16-50-0090 120 Volt Armature	(1)
32	06-82-7409 8-16 x 1/2" Pan Hd. Torx Thread Form Screw	(1)
33	18-50-0091 120 Volt Field	(1)
34	02-04-0845 Ball Bearing	(1)
35	31-50-0555 Motor Housing	(1)
36	12-20-0690 Service Nameplate Kit	(1)
37	22-84-0710 Fan	(1)

FIG. PART NO.	DESCRIPTION OF PART	NO. REQ.
38	06-82-7375 8-16 x 2-1/2" Torx Taptite Screw	(2)
39	23-44-0210 Brush Retaining Screw	(2)
40	22-18-0680 Carbon Brush Assembly	(2)
41	22-22-1325 Brush Holder Assembly	(2)
42	40-50-7770 Brush Holder Spring	(2)
43	42-38-0190 Bumper	(1)
44	06-82-2598 10-24 x 2-3/4" Pan Hd. Slit Torx Screw	(2)
45	31-44-1710 Right Handle Half	(1)
46	06-82-2568 10-24 x 7/8" Pan Hd. Slit Torx Screw	(3)
47	23-66-1800 Switch	(1)
48	31-44-1115 Left Handle Half	(1)
49	06-55-1050 10-24 Hex Nut	(5)
50	44-76-0050 Cord Protector	(1)
51	22-64-0785 Cord Set	(1)

FIG. NOTES
18 1-1/4 Oz. Type "G" Grease No. 49-08-4140, In Grease Cavity.
1-1/2 Oz. Type "B" Grease, No. 49-08-0600, To Build Up Wall of
Grease Around Grease Cavity.

MILWAUKEE ELECTRIC TOOL CORPORATION
13135 W. LISBON RD., BROOKFIELD, WI 53005