



# SERVICE PARTS LIST

**BULLETIN NO.**  
54-32-1252

<b>SPECIFY CATALOG NO. AND SERIAL NO. WHEN ORDERING PARTS</b>		<b>REVISED BULLETIN</b> 54-32-1251	<b>DATE</b> Feb. '90
<b>7" HEAVY-DUTY POLISHER (1750 R.P.M.)</b>			
<b>CATALOG NO.</b> 5455	<b>STARTING SERIAL NO.</b> 657-85450	<b>WIRING INSTRUCTION</b> 58-01-0295	

**EXAMPLE:**  
Component Parts (Small #) Are Included  
When Ordering The Assembly (Large #).

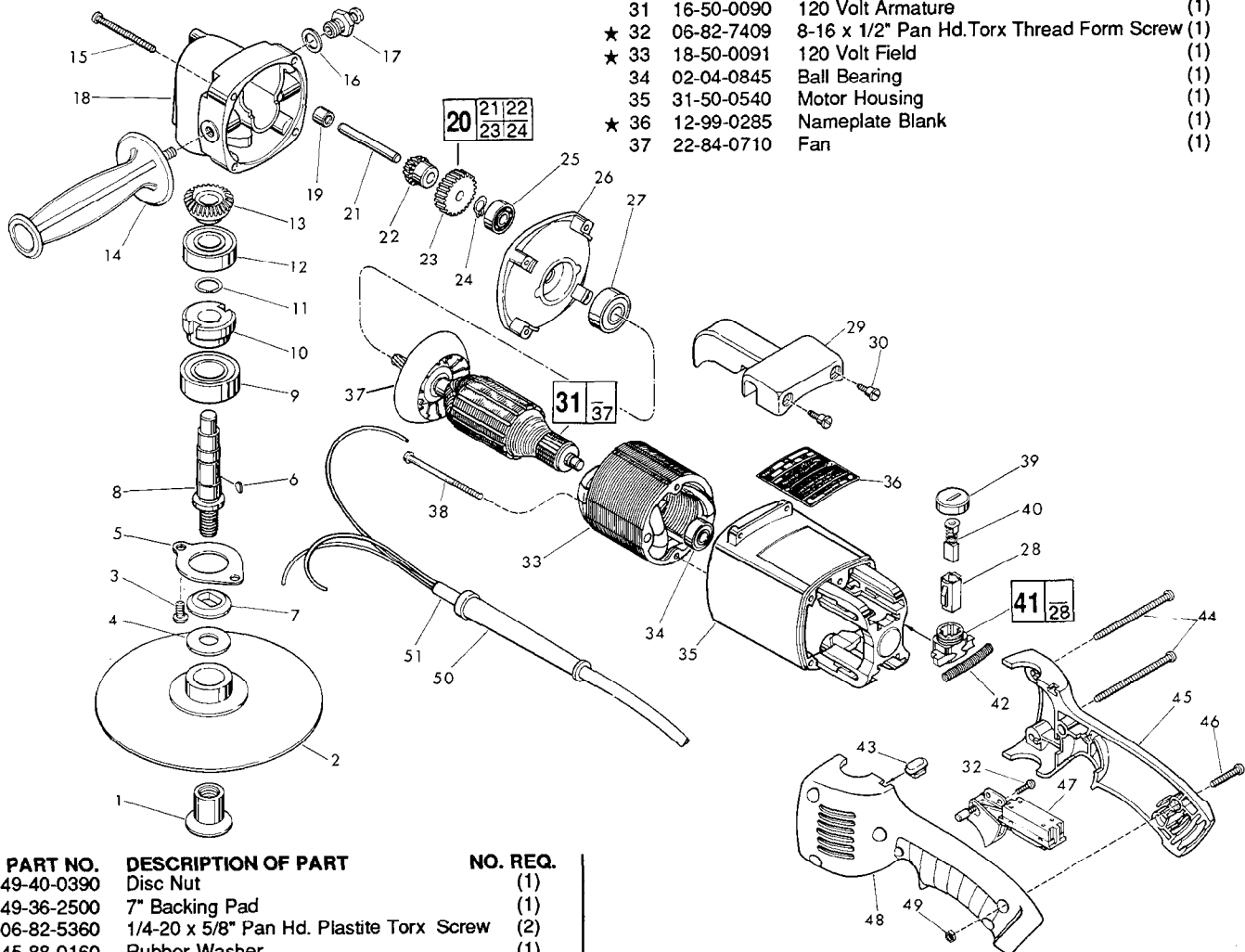


FIG.	PART NO.	DESCRIPTION OF PART	NO. REQ.
	1	49-40-0390 Disc Nut	(1)
	2	49-36-2500 7" Backing Pad	(1)
★	3	06-82-5360 1/4-20 x 5/8" Pan Hd. Plastite Torx Screw	(2)
★	4	45-88-0160 Rubber Washer	(1)
	5	45-88-7785 Spindle Retaining Washer	(1)
	6	06-42-1600 Woodruff Key	(1)
★	7	49-05-0060 Washer Flange	(1)
★	8	38-50-5231 Spindle Shaft	(1)
	9	02-04-2031 Ball Bearing	(1)
	10	42-74-0070 Spindle Locking Cog	(1)
	11	34-60-1290 Retaining Ring	(1)
	12	02-04-1747 Ball Bearing	(1)
	13	32-05-1081 Bevel Gear	(1)
	14	43-62-0880 Side Handle	(1)
★	15	06-82-7441 10-14 x 1-7/8" Pan Hd. Plastite Torx Screw	(4)
	16	45-88-5320 Flat Washer	(1)
	17	44-20-0211 Spindle Lock Assembly	(1)
	18	28-14-1430 Gear Case	(1)
	19	02-50-2200 Needle Bearing	(1)
	20	14-73-0130 Intermediate Gear Assy.	(1)
	21	Intermediate Shaft	(1)
	22	Bevel Gear	(1)
	23	Intermediate Gear	(1)
	24	External Retaining Ring	(1)
	25	02-04-0910 Ball Bearing	(1)
	26	28-28-1565 Diaphragm	(1)
	27	02-04-1230 Ball Bearing	(1)
	28	22-20-0660 Brush Tube	(2)

FIG.	PART NO.	DESCRIPTION OF PART	NO. REQ.
	29	31-70-0110 Tool Rest	(1)
	30	45-04-0570 Shoulder Screw	(3)
	31	16-50-0090 120 Volt Armature	(1)
★	32	06-82-7409 8-16 x 1/2" Pan Hd. Torx Thread Form Screw	(1)
★	33	18-50-0091 120 Volt Field	(1)
	34	02-04-0845 Ball Bearing	(1)
	35	31-50-0540 Motor Housing	(1)
★	36	12-99-0285 Nameplate Blank	(1)
	37	22-84-0710 Fan	(1)

FIG.	PART NO.	DESCRIPTION OF PART	NO. REQ.
	38	06-82-7375 8-16 x 2-1/2" Torx Taptite Screw	(2)
	39	23-44-0210 Brush Retaining Screw	(2)
	40	22-18-0680 Carbon Brush Assembly	(2)
	41	22-22-1325 Brush Holder Assembly	(2)
	42	40-50-7770 Brush Holder Spring	(2)
	43	42-38-0190 Bumper	(1)
★	44	06-82-2598 10-24 x 2-3/4" Pan Hd. Slit. Torx Screw	(2)
	45	31-44-1110 Right Handle Half	(1)
★	46	06-82-2568 10-24 x 7/8" Pan Hd. Slit. Torx Screw	(3)
★	47	23-66-1800 Switch	(1)
	48	31-44-1115 Left Handle Half	(1)
	49	06-55-1050 10-24 Hex Nut	(5)
	50	44-76-0050 Cord Protector	(1)
	51	22-64-0790 Cord Set	(1)

**FIG. NOTES**

- 18 1-1/4 Oz. Type "G" Grease No. 49-08-4140, in Grease Cavity.
- 1-1/2 Oz. Type "B" Grease, No. 49-08-0600, To Build Up Wall of Grease Around Grease Cavity.

**MILWAUKEE ELECTRIC TOOL CORPORATION**  
13135 W. LISBON RD., BROOKFIELD, WI 53005