



SERVICE PARTS LIST

BULLETIN NO.
54-24-5420

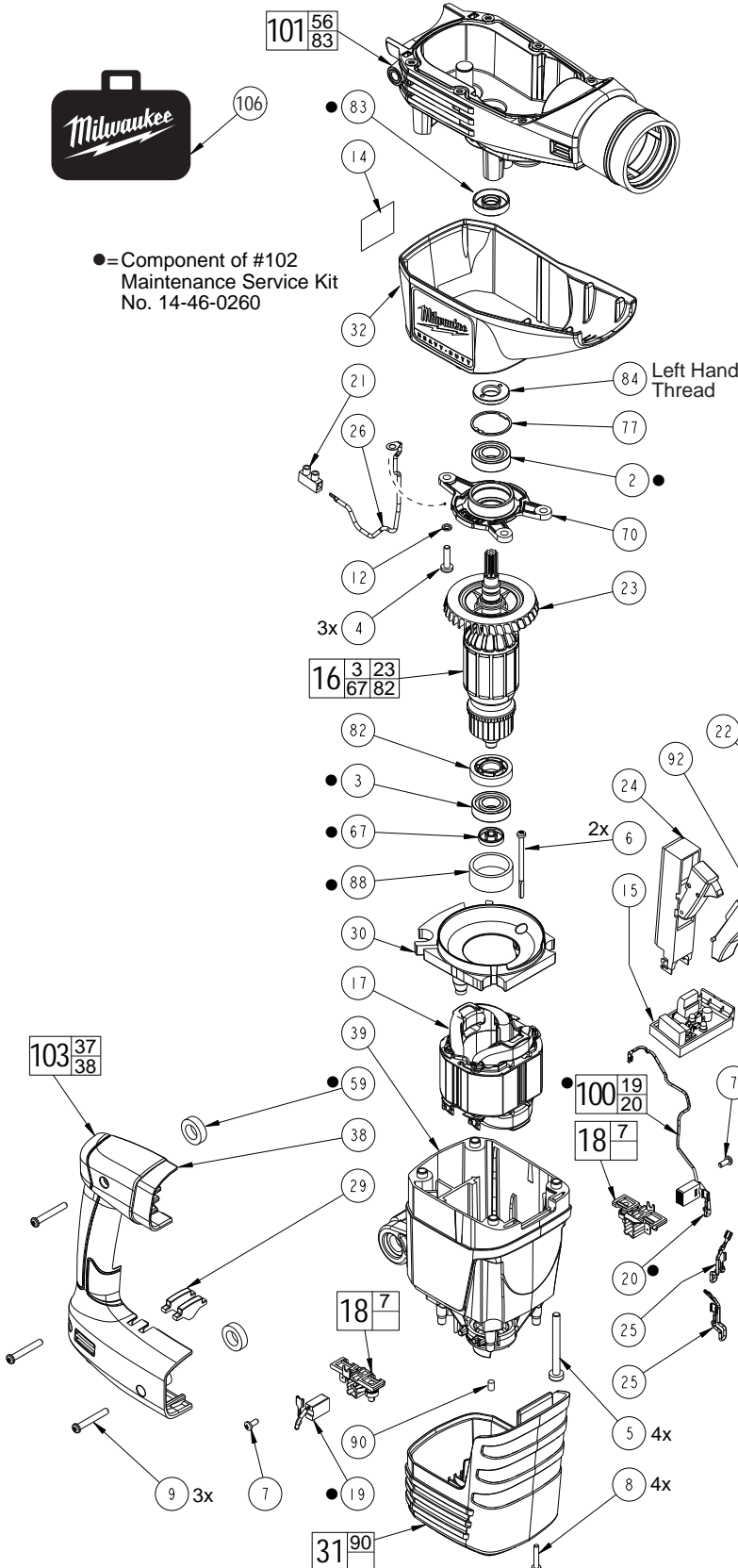
| | | | |
|--|----------------|---------------------|-------------------|
| SPECIFY CATALOG NO. AND SERIAL NO. WHEN ORDERING PARTS | | REVISED BULLETIN | DATE |
| 1-3/4" (45mm) SDS-MAX COMBINATION HAMMER | | | Sept. 2014 |
| CATALOG NO. | 5426-21 | STARTING SERIAL NO. | B37A |
| | | WIRING INSTRUCTION | 58-01-5400 |

EXAMPLE:
Component Parts (Small #) Are Included
When Ordering The Assembly (Large #).



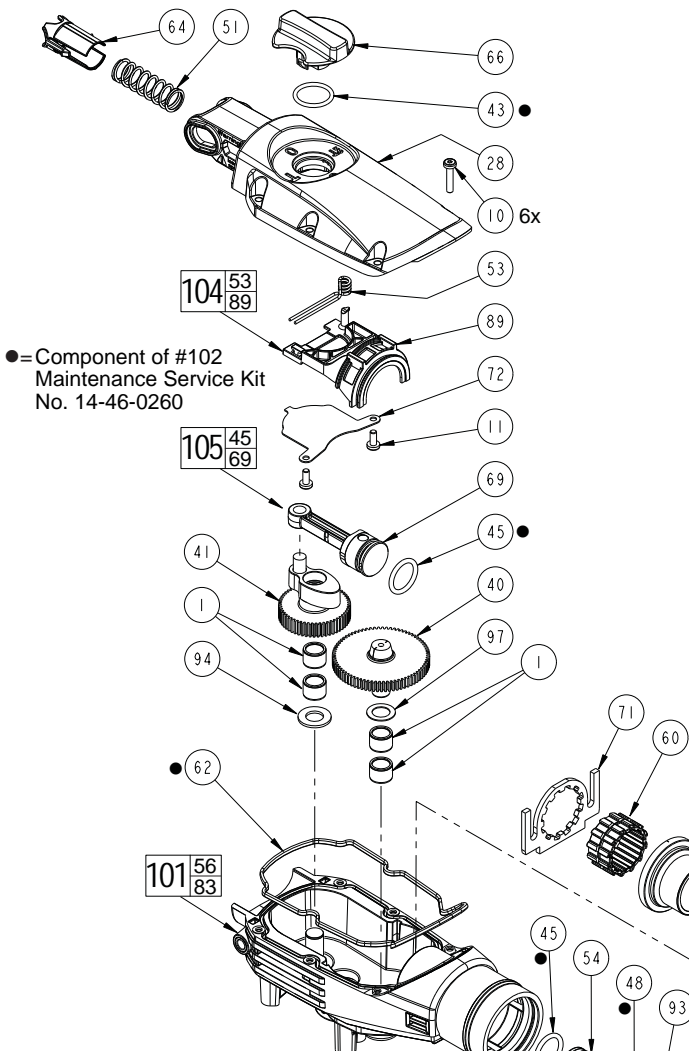
● = Component of #102
Maintenance Service Kit
No. 14-46-0260

| FIG. | PART NO. | DESCRIPTION OF PART | NO. REQ. |
|------|--------------|---------------------------------------|----------|
| 2 | 02-04-0140 ● | Ball Bearing | (1) |
| 3 | 02-04-0150 ● | Ball Bearing | (1) |
| 4 | 05-74-0060 | M5 x 20 Taptime T-25 Screw | (3) |
| 5 | 05-74-0070 | M6 x 60 Taptime T-30 Screw | (4) |
| 6 | 05-74-0240 | M4 x 64 Plastite T-20 Screw | (2) |
| 7 | 05-74-0250 | M9 x 9.5 T-15 Screw | (4) |
| 8 | 05-74-0270 | H-K4 x 22 T-15 Screw | (4) |
| 9 | 05-74-0280 | M5 x 35 T-20 Screw | (3) |
| 12 | 05-90-0190 | M5 Spring Washer | (1) |
| 14 | 12-20-5400 | Service Nameplate Kit | (1) |
| 15 | 14-20-0340 | PC Board | (1) |
| 16 | 16-50-0120 | Service Armature Assembly | (1) |
| 17 | 18-50-0120 | Service Field Assembly | (1) |
| 18 | 22-20-0050 | Brush Holder Assembly | (2) |
| 19 | ----- ● | Carbon Brush Assembly | (1) |
| 20 | ----- ● | Carbon Brush Assembly (2 wire) | (1) |
| 21 | 22-56-0010 | Terminal Block | (1) |
| 22 | 22-64-0880 | Power Cord | (1) |
| 23 | 22-84-0010 | Fan | (1) |
| 24 | 23-66-0033 | Switch | (1) |
| 25 | 23-94-0110 | Wire Harness | (2) |
| 26 | 23-94-0430 | Grounding Wire Harness | (1) |
| 27 | 23-94-0018 | Jumper Wire (See Bulletin 58-01-5400) | (1) |
| 29 | 31-01-0090 | Light Pipe | (2) |
| 30 | 31-05-0140 | Fan Baffle | (1) |
| 31 | 31-12-0070 | Motor Cap | (1) |
| 32 | 31-12-0260 | Shroud | (1) |
| 35 | 31-17-0290 | Cord Clamp | (1) |
| 37 | ----- | Handle Halve-Left | (1) |
| 38 | ----- | Handle Halve-Right | (1) |
| 39 | 31-50-0100 | Motor Housing | (1) |



**SEE PAGE 3 FOR
LUBRICATION AND
SERVICE NOTES**

| FIG. | PART NO. | DESCRIPTION OF PART | NO. REQ. |
|------|--------------|----------------------------|----------|
| 59 | 42-42-0031 ● | Bushing | (4) |
| 67 | 44-26-0090 ● | Magnetic Disc | (1) |
| 70 | 44-66-0220 | Bearing End Plate | (1) |
| 73 | 44-76-0320 ● | Cord Protector | (1) |
| 77 | 44-90-0080 | Internal Retaining Ring | (1) |
| 82 | 45-06-0020 | Dust Seal | (1) |
| 83 | 45-06-0030 ● | Armature Seal | (1) |
| 84 | 45-06-0120 | Seal Ring-Left Hand Thread | (1) |
| 88 | 45-22-0110 ● | Rubber Sleeve | (1) |
| 90 | 45-30-0055 ● | Rubber Plug | (1) |
| 92 | 45-72-0010 | Trigger | (1) |
| 100 | 14-46-0275 ● | Brush Service Kit | (1) |
| 101 | 14-46-0355 | Gearcase Service Kit | (1) |
| 102 | 14-46-0290 | Maintenance Service Kit | (1) |
| 103 | 14-46-0215 | Handle Service Kit | (1) |
| 106 | 42-55-0190 | Accessory Carrying Case | (1) |



●=Component of #102 Maintenance Service Kit No. 14-46-0260

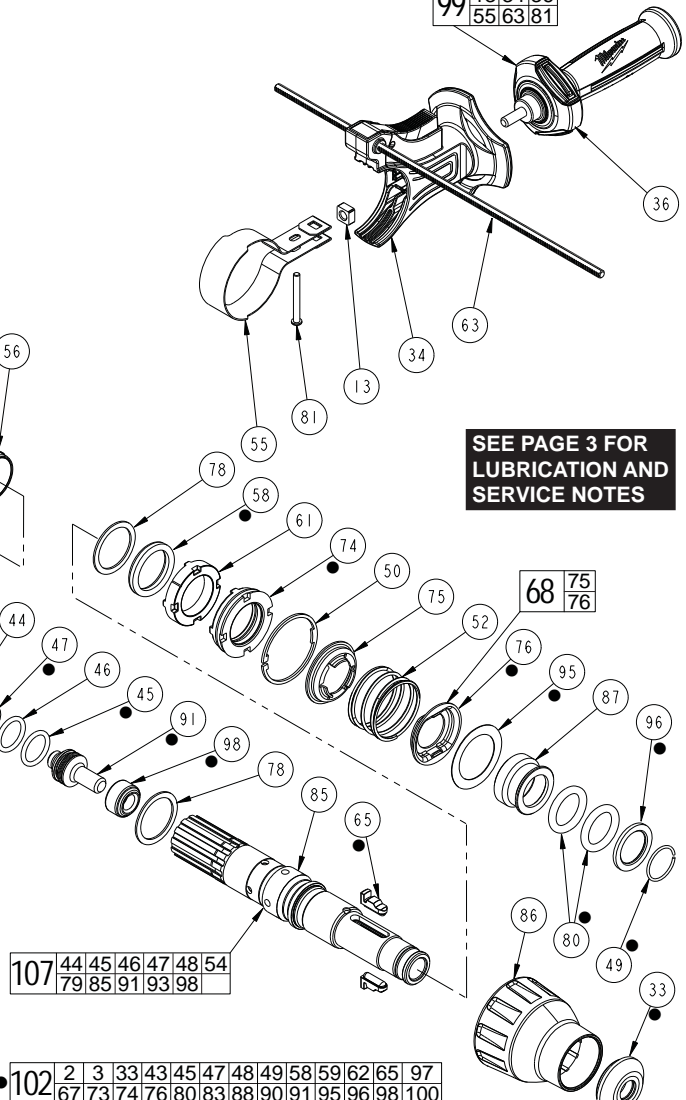
EXAMPLE:

| | |
|----|---|
| 00 | 0 |
|----|---|

 Component Parts (Small #) Are Included When Ordering The Assembly (Large #).

| FIG. | PART NO. | DESCRIPTION OF PART | NO. REQ. |
|------|-------------|---------------------------------|----------|
| 1 | 02-04-0120 | Needle Bearing | (4) |
| 10 | 05-74-0310 | M5 x 25 Taptite T-25 Screw | (6) |
| 11 | 05-74-0320 | M5 x 12 PE T-20 Grade 8.8 Screw | (2) |
| 13 | 06-54-0120 | M8 Nut | (1) |
| 28 | 28-20-0070 | Gearcase Cover | (1) |
| 33 | 31-12-0420● | Rubber Cap | (1) |
| 34 | 31-17-0010 | Side Handle Bracket | (1) |
| 36 | 31-44-0155 | Auxiliary Side Handle | (1) |
| 40 | 32-10-0020 | Clutch Gear | (1) |
| 41 | 32-65-0010 | Crank Gear | (1) |
| 42 | 33-75-0010 | Bevel Gear | (1) |
| 43 | 34-40-0020● | O-Ring | (1) |
| 44 | 34-40-0085 | O-Ring | (1) |
| 45 | 34-40-0170● | O-Ring | (3) |
| 46 | 34-40-0175 | O-Ring | (1) |
| 47 | 34-60-0040● | Core Lifter Ring | (1) |
| 48 | 34-60-0090● | Internal Snap Ring | (1) |
| 49 | 34-60-0110● | Internal Snap Ring | (1) |
| 50 | 34-80-0010 | Internal Retaining Ring | (1) |
| 51 | 40-50-0610 | Pressure Spring | (1) |
| 52 | 40-50-0620 | Barrel Spring | (1) |
| 53 | ----- | Drive Selector Spring | (1) |
| 54 | 42-06-0010 | Ram | (1) |
| 55 | 42-16-0010 | Side Handle Band | (1) |
| 56 | 42-24-0010 | Sleeve Bearing | (1) |
| 58 | 42-38-0410● | Dampening Bumper | (1) |
| 60 | 42-76-0020 | Idle Collar | (1) |
| 61 | 42-76-0030 | Thrust Collar | (1) |
| 62 | 43-44-0120● | Gearcase Gasket | (1) |
| 63 | 43-46-0020 | Depth Gauge | (1) |

| FIG. | PART NO. | DESCRIPTION OF PART | NO. REQ. |
|------|-------------|----------------------------------|----------|
| 64 | 43-56-0100 | Spring Guide | (1) |
| 65 | 43-96-0010● | Interlock | (2) |
| 66 | 44-10-0190 | Drive Selector Lever | (1) |
| 68 | 44-86-0300 | Retaining Ring Service Kit | (1) |
| 69 | 44-62-0010 | Piston Assembly | (1) |
| 71 | 44-66-0370 | Locking Plate | (1) |
| 72 | 44-66-0420 | Latch Plate | (1) |
| 74 | 44-86-0020● | Seal Retainer | (1) |
| 75 | ----- | Retaining Ring Key | (1) |
| 76 | ----- | Retaining Ring Key | (1) |
| 78 | 44-90-0301 | Spindle Ring | (2) |
| 79 | 44-90-0440 | Seal | (1) |
| 80 | 44-90-0510● | Seal | (2) |
| 81 | 45-04-0030 | C-K5 x 40 T-20 Side Handle Screw | (1) |
| 85 | 45-22-0020 | Spindle Sleeve | (1) |
| 86 | 45-22-0030 | Sleeve | (1) |

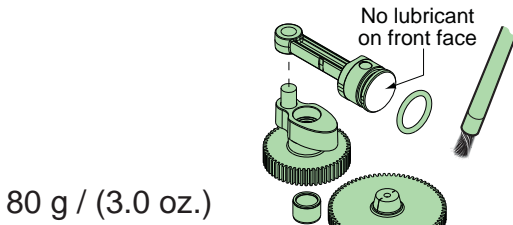


SEE PAGE 3 FOR LUBRICATION AND SERVICE NOTES

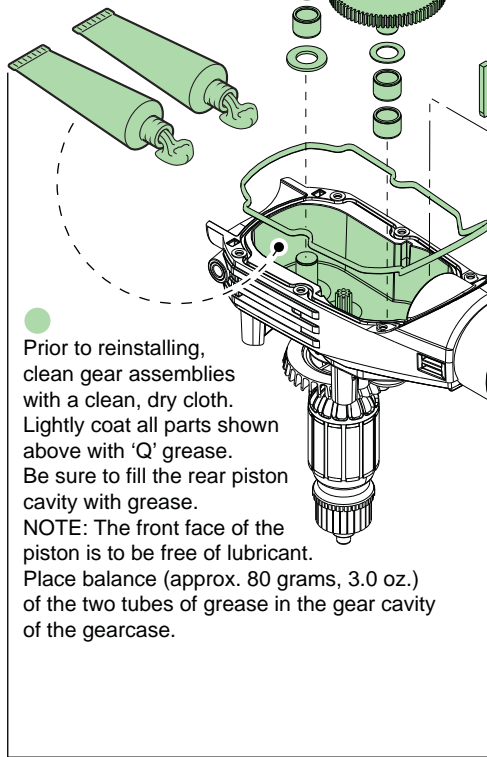
| FIG. | PART NO. | DESCRIPTION OF PART | NO. REQ. |
|------|-------------|-------------------------------------|----------|
| 87 | 45-22-0040 | SDS Sleeve | (1) |
| 89 | 45-24-0060 | Drive Selector Slide | (1) |
| 91 | 45-56-0010● | Striker | (1) |
| 93 | 45-88-0960 | Cushion Washer | (1) |
| 94 | 45-88-1000 | Washer | (1) |
| 95 | 45-88-1120● | Washer | (1) |
| 96 | 45-88-1490● | Washer | (1) |
| 97 | 45-88-1550 | Washer | (1) |
| 98 | 45-88-1570● | Stop Washer | (1) |
| 99 | 14-46-0300 | Side Handle Kit | (1) |
| 101 | 14-46-0355 | Gearcase Service Kit | (1) |
| 102 | 14-46-0290 | Maintenance Service Kit | (1) |
| 104 | 14-46-0285 | Drive Selector Service Kit | (1) |
| 105 | 14-46-0345 | Piston Service Kit | (1) |
| 107 | 45-22-0025 | Spindle Sleeve Service Kit | (1) |
| | 49-08-4255● | Type 'Q' Grease, 45gm (1.5 oz) Tube | (3) |

LUBRICATION

No. 49-08-4255 Type 'Q' Grease
45gm (1.5 oz) Tube - 3 tubes needed



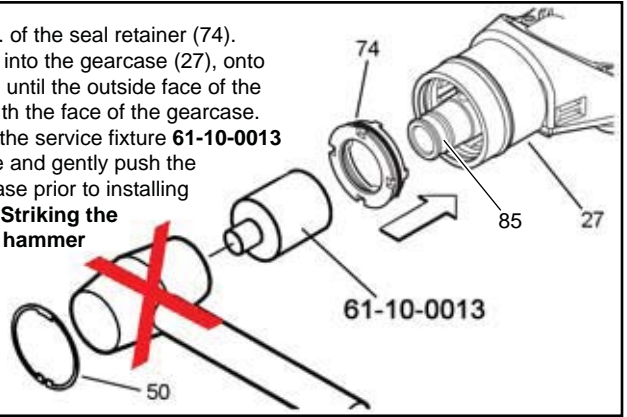
80 g / (3.0 oz.)



Prior to reinstalling, clean gear assemblies with a clean, dry cloth. Lightly coat all parts shown above with 'Q' grease. Be sure to fill the rear piston cavity with grease.

NOTE: The front face of the piston is to be free of lubricant. Place balance (approx. 80 grams, 3.0 oz.) of the two tubes of grease in the gear cavity of the gearcase.

Lightly grease the O.D. of the seal retainer (74). Insert the seal retainer into the gearcase (27), onto the spindle sleeve (85) until the outside face of the seal retainer is flush with the face of the gearcase. Place the open end of the service fixture 61-10-0013 over the spindle sleeve and gently push the retainer into the gearcase prior to installing the retaining ring (50). **Striking the service fixture with a hammer is not recommended, doing so may cause the seal retainer to wedge in the gearcase.**



No lubricant on rear face

Prior to reinstalling, lightly coat all parts shown above with 'Q' grease. NOTE: The rear face of the ram is to be free of lubricant. Place balance of the third tube of grease (approx. 40 grams, 1.2 oz.) liberally around splines of the spindle sleeve.

40 g / (1.2 oz.)

● **14-46-0290 MAINTENANCE SERVICE KIT**

THIS KIT CONTAINS:

- 1 02-04-0140 Ball Bearing
- 1 02-04-0150 Ball Bearing
- 1 31-12-0420 Rubber Cap
- 1 34-40-0020 O-Ring
- 3 34-40-0170 O-Ring
- 1 34-60-0040 Core Lifter Ring
- 1 34-60-0090 Internal Snap Ring
- 1 34-60-0110 Internal Snap Ring
- 1 42-38-0410 Dampening Bumper
- 4 42-42-0031 Bushing
- 1 43-44-0120 Gearcase Gasket
- 2 43-96-0010 Interlock
- 1 44-26-0090 Magnetic Disc
- 1 44-76-0320 Cord Protector
- 1 44-86-0020 Seal Retainer
- 1 ----- Retaining Ring Key
- 2 44-90-0510 Seal
- 1 45-06-0030 Armature Seal
- 1 45-22-0110 Rubber Sleeve
- 1 45-30-0055 Rubber Plug
- 1 45-56-0010 Striker
- 1 45-88-1120 Washer
- 1 45-88-1490 Washer
- 1 45-88-1550 Washer (5426-21 Only)
- 1 45-88-1570 Stop Washer
- 1 14-46-0275 Brush Svc. Kit (Incl. 19 & 20)
- 3 49-08-4255 'Q' Grease (45g/1.5 oz. tube)

14-46-0275 BRUSH SERVICE KIT

THIS KIT CONTAINS:

- 1 ----- Carbon Brush Assembly
- 1 ----- Carbon Brush Assembly (Two Wire)

FASTENER TORQUE SPECIFICATIONS (FT./LBS.)

| FIG. NO. | SEATING TORQUE | |
|----------|----------------|---------|
| | MINIMUM | MAXIMUM |
| 2 | 4.43 | |
| 4 | 3.30 | |
| 5 | 4.43 | |
| 6 | 0.96 | |
| 7 | 1.25 | |
| 8 | | |
| 9 | 1.25 | |
| 10 | 3.30 | |
| 11 | 3.30 | |
| 81 | 1.25 | |