



SERVICE PARTS LIST

BULLETIN NO.
54-24-1308

SPECIFY CATALOG NO. AND SERIAL NO. WHEN ORDERING PARTS		REVISED BULLETIN	DATE
"D" HANDLE HAMMER DRILL		54-24-1307	June '93
CATALOG NO. 5398	STARTING SERIAL NO. 556A	WIRING INSTRUCTION 58-01-0201	

EXAMPLE:

00 **0** Component Parts (Small #) Are Included When Ordering The Assembly (Large #).

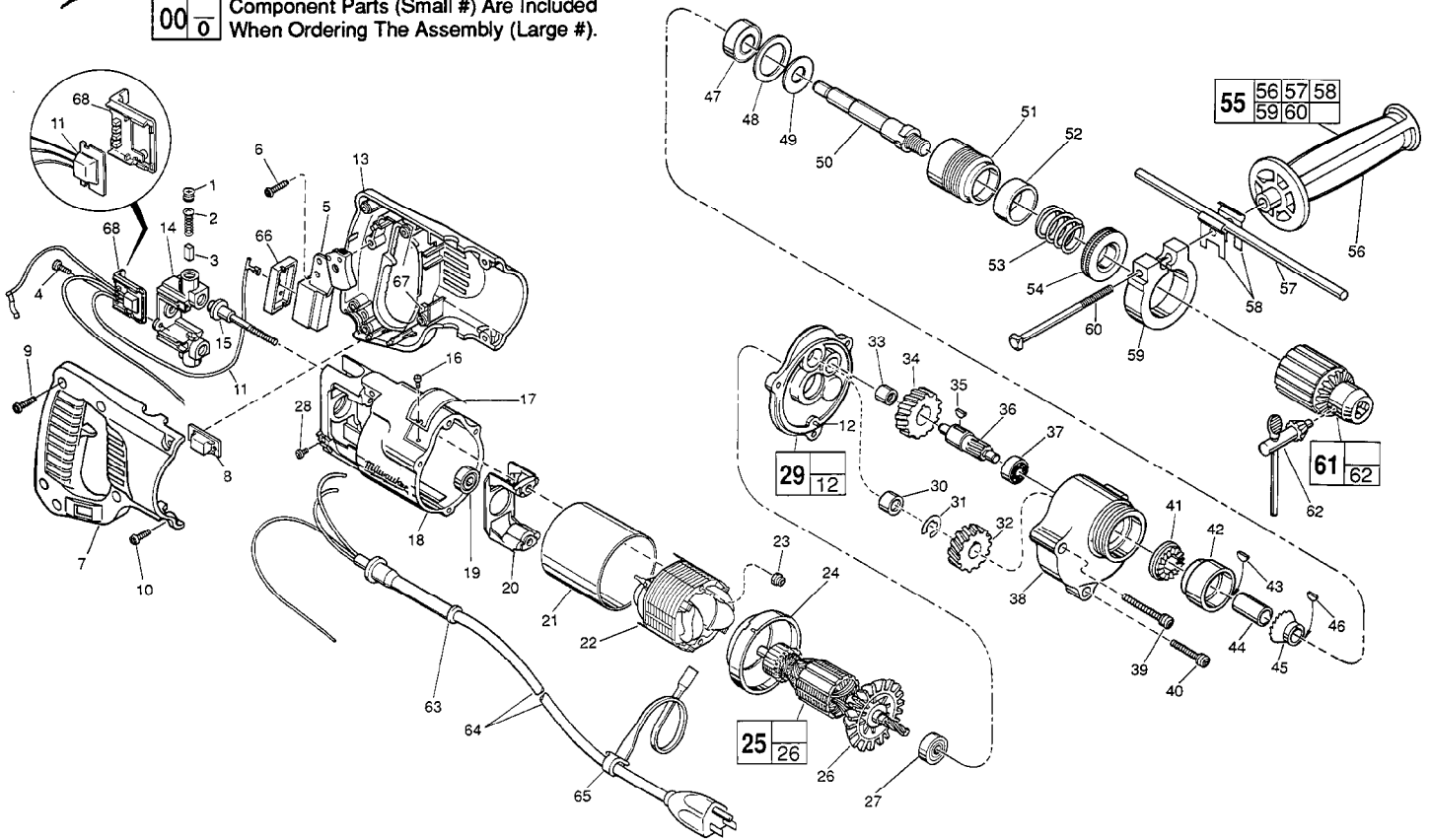


FIG.	PART NO.	DESCRIPTION OF PART	NO.	REQ.
	1	Brush Retaining Screw	(2)	
	2	Brush Spring	(2)	
	3	Carbon Brush	(2)	
	4	6-32x3/8" Truss Hd. Taptite Screw	(2)	
★	5	Switch	(1)	
★	6	8-16x5/8" Pan Hd. Slit. T-20	(1)	
★	7	R.H. Half "D" Handle	(1)	
	8	Plug	(1)	
★	9	8-16x 5/8" Pan Hd. Slit. Plast. T-20	(5)	
	10	6-32x1/2" Taptite T-20	(4)	
★	11	Remote Electronic Assembly	(1)	
	12	Groove Pin	(1)	
★	13	L.H. Half "D" Handle	(1)	
★	14	Brush Holder Assembly	(1)	
★	15	Insulated Field Bolt	(2)	
★	16	Service Rivet	(2)	
★	17	Service Nameplate	(1)	
★	18	Motor Housing	(1)	
	19	Ball Bearing	(1)	
★	20	Coil Shield	(1)	
	21	Field Insulator	(1)	
★	22	120 Volt Field	(1)	
	23	8-32 Flexlock Hex Nut	(2)	
	24	Baffle	(1)	
★	25	120 Volt Armature	(1)	
★	26	Fan Assembly	(1)	
	27	Ball Bearing	(1)	
★	28	Ground Screw	(1)	
★	29	Diaphragm	(1)	
	30	Needle Bearing	(1)	
	31	Retaining Ring	(1)	
	32	Spindle Gear	(1)	
	33	Needle Bearing	(1)	
	34	Intermediate Gear	(1)	
	35	Woodruff Key	(1)	
	36	Intermediate Shaft	(1)	
	37	Ball Bearing	(1)	
	38	Gear Case	(1)	
	39	8-32 x 2-1/4" Pan Hd. Slit. Taptite T-20	(2)	

FIG.	PART NO.	DESCRIPTION OF PART	NO.	REQ.
	40	8-32 x 1-3/8" Pan Hd. Slit. Taptite T-20	(1)	
	41	Fixed Ratchet	(1)	
	42	Bearing Housing	(1)	
	43	Woodruff Key	(1)	
	44	Spacer	(1)	
	45	Rotating Ratchet	(1)	
	46	Woodruff Key	(1)	
	47	Ball Bearing	(1)	
	48	Bearing Retaining Washer	(1)	
	49	Spring Support Washer	(1)	
	50	Spindle	(1)	
	51	Sleeve	(1)	
	52	Felt Washer	(1)	
	53	Spring	(1)	
	54	Locking Collar	(1)	
	55	Side Handle Assembly	(1)	
	56	Side Handle	(1)	
	57	Depth Gauge Rod	(1)	
	58	Clamp	(2)	
★	59	Handle Ring	(1)	
★	60	Bolt	(1)	
★	61	1/2" Chuck	(1)	
	62	Chuck Key	(1)	
★	63	Cord Protector	(1)	
★	64	Cord Set	(1)	
	65	Key Holder	(1)	
★	66	Dust Shield	(1)	
★	67	Foam Slug Kit - (10 Slugs)	(2)	
★	68	Heat Sink Holder	(1)	

FIG. LUBRICATION
38 3-1/4 Oz. Type "E" Grease, No. 49-08-4122.
45 Place a dab of "U" Grease, No. 49-08-0150, on the face of the rotating ratchet. Face of the ratchet should have a .10" to .20" layer.

MILWAUKEE ELECTRIC TOOL CORPORATION
13135 W. LISBON RD., BROOKFIELD, WI 53005